

REVISIONS

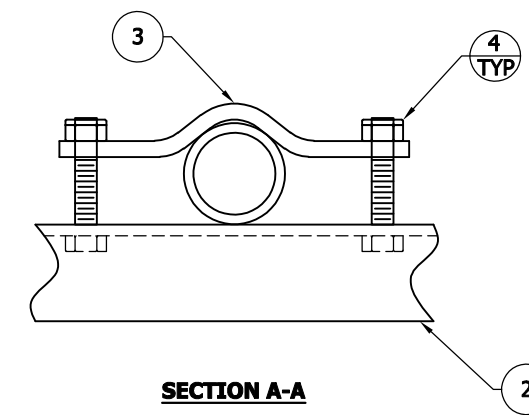
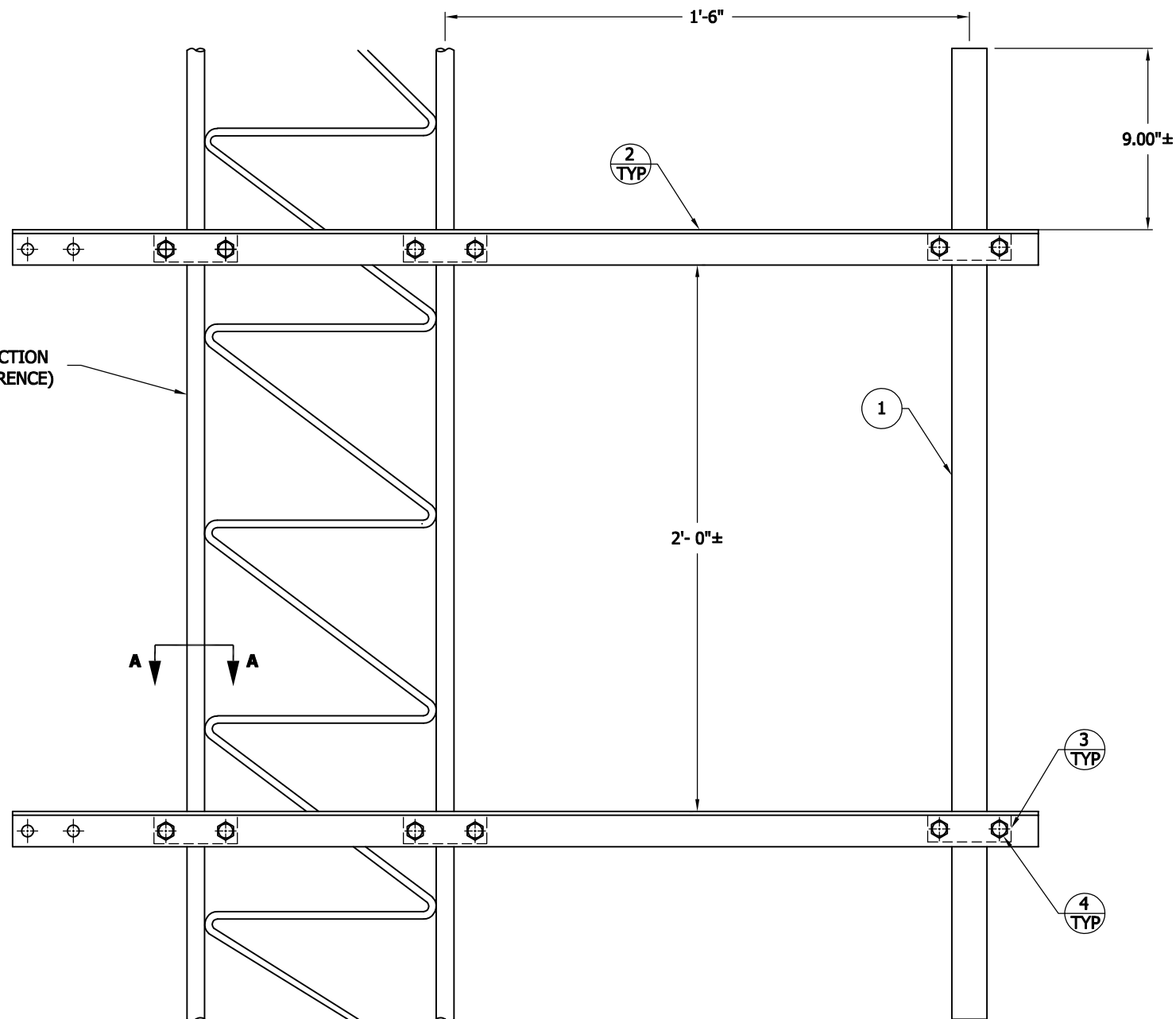
REV.	DESCRIPTION	DWN	CHK	APP
3	UPDATED DRAWING TO NEW STANDARDS / CHANGE WALL THICKNESS FOR P/N KY2070 DATE: 4/11/2013	ZAW	JDM	HA

BILL OF MATERIAL			
ITEM	QTY	P/N	DESCRIPTION
1	1	SEE ASSEMBLY TABLE	
2	2	KH5195	ANGLE SIDE ARM 2X.19X3.40'
3	6	D114	CLAMP SADDLE .25" 3.5" C TO C
4	12	210013GA	BOLT ASSY 3/8 X 4 HCS FT G5

ASSEMBLY TABLE		
ASSEMBLY P/N	ITEM 1 P/N	DESCRIPTION
KY2068A2	KH475	PIPE 2.38ODX.154WX3.00' HDG
KY2068A15	KY2069	TUBE 1.50ODX.065WX3.00' HDG
KY2068A16	KY2070	PIPE 1.66ODX.140WX3.00' HDG
KY2068ALP	N/A	N/A

NOTES

1. THIS SIDE ARM IS DESIGNED FOR AN ALLOWABLE LOADING OF 100 LBS LATERAL THRUST TOTAL. TOWER LOAD MUST NOT EXCEED CAPACITY OF TOWER.
2. OUTSTANDING LEG OF TOWER HAS BEEN OMITTED FOR CLARITY.
3. MOUNTING ANGLE MUST BE MOUNTED AS CLOSE TO LEG/BRACE INTERSECTION AS POSSIBLE.



PO BOX 5999
PEORIA, IL 61601-5999
TOLL FREE 800-727-ROHN

THIS DRAWING IS THE PROPERTY OF ROHN. IT IS NOT TO BE REPRODUCED, COPIED OR TRACED IN WHOLE OR IN PART WITHOUT OUR WRITTEN CONSENT.

MOUNTING
1'-6" S.A. ASSY FOR 25G, 45G & 55G

DWN: JDM	CHK'D: B_N	DATE: 05/15/1995
ENGR: T.S	SHEET #: 1 OF 1	
PRJ. ENGR:	PRJ. MANG'R:	
DRAWING NO: C950981	REV: 3	