


CAT5E 350MHZ PLENUM 24AWG, UTP, 4 PAIR, SOLID 1000' PULL BOX

PART NUMBER:

055-453/P/BL



PG. 1	<input type="checkbox"/> APPROVALS:	<input type="checkbox"/> DATE:	THE INFORMATION CONTAINED IN THIS DOCUMENT IS PROPRIETARY TO VERTICAL CABLE AND MAY NOT BE DISCLOSED OR TRANSMITTED TO ANY OTHER PARTIES WITHOUT THE EXPRESS WRITTEN PERMISSION OF VERTICAL CABLE. THIS INFORMATION IS PROVIDED FOR THE PURPOSES OF QUOTATION ONLY. 
	MARKETING		
	TECHNICAL		
	SALES		
	FINAL		

GENERAL INFORMATION ABOUT THIS PRODUCT:

MANUFACTURER:

REFERENCE: 055-453/P/BL

DESCRIPTION:

Category-5E UTP 1000' 8-Conductor, Bulk, Blue-Plenum Jacket, AWG24 Solid-Bare Copper, Pull Box (UL/ETL)

ACCESSORIES INCLUDED WITH THIS PRODUCT:

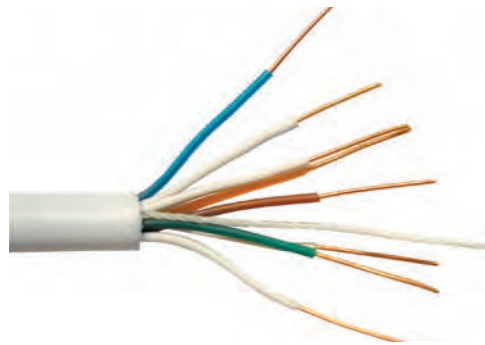
NONE

FEATURES AND BENEFITS:


- High-Performance Data Communications Cable
- Suitable for 350MHz High-Speed Data Applications, Gigabit Ethernet, Fast Ethernet and 155Mbps TP-PMD/CDDI
- Designed for Indoor Installations
- Flame Retardant – Type Plenum
- Category-5E Unshielded Twisted Pair (UTP) Cable
- 4-Pair – Easily Identified Color-Striped Pairs
- 24AWG Solid Bare Copper Conductors
- Excellent Attenuation and Crosstalk Characteristics
- Exceeds EIA/TIA 568 B.2-1, UL, CSA and ISO/IEC 11801 specifications
- UL/cUL or ETL Listed
- Supplied in 1000' Pull Boxes



PULL BOX



CABLE

PG. 2	<input type="checkbox"/> P/N: 055-453/P/BL	<input type="checkbox"/> PRODUCT: CAT5E 350MHZ CABLE, UTP, 24AWG, 4P, SOLID, PLENUM, 1000' PULL BOX
	<input type="checkbox"/> AUTHOR:	
	<input type="checkbox"/> DATE: 04/03/07 <input type="checkbox"/> REV: 01	

TECHNICAL INFORMATION ABOUT THIS PRODUCT:

MANUFACTURER:

REFERENCE: 055-453/P/BL

DESCRIPTION:

Category-5E UTP 1000' 8-Conductor, Bulk, Blue-Plenum Jacket, AWG24 Solid-Bare Copper, Pull Box (UL/ETL)

TECHNICAL SPECS:

Conductor	Solid Bare Copper
Size	24 AWG (0.51mm)
Insulation	FRHDPE
Thickness (mm)	0.20
Outer Diameter	5.3mm
Jacket	FRPVC
Color	Blue
Color of Pairs	
Pair 1	Blue,White-Blue
Pair 2	Orange,White-Orange
Pair 3	Green,White-Green
Pair 4	Brown,White-Brown

Marking

VERTICAL E312655 (UL) C(UL) CMR 75°C FT6 CAT5E UTP 4PR 24AWG 350MHz
VERIFIED ETL PLENUM TIA/EIA - 568B.2-1 (VID:H1) XXX FT


SEQUENTIAL FOOT MARKERS ON JACKET

Standards

ETL Listed, Plenum
UL and ETL Verified to ANSI/TIA/EIA-568-A Category 5
ISO/IEC-11801
NEMA WC63.1

Applications

ANSI X3T9.5 TP-PMD (FDDI)
ATM PMD 155 Mbps
IEEE 802.3 Fast Ethernet :10 Base-T, 100 Base-T4, 100 Base-X
IEEE 802.5 :4/16 Mbps Token Ring
IEEE 802.12 :100 Base-VG


PG. 3	<input type="checkbox"/> P/N: 055-453/P/BL	<input type="checkbox"/> PRODUCT: CAT5E 350MHZ CABLE, UTP, 24AWG, 4P, SOLID, PLENUM, 1000' PULL BOX
	<input type="checkbox"/> AUTHOR:	
	<input type="checkbox"/> DATE: 04/03/07 <input type="checkbox"/> REV: 01	

Electrical Characteristics:

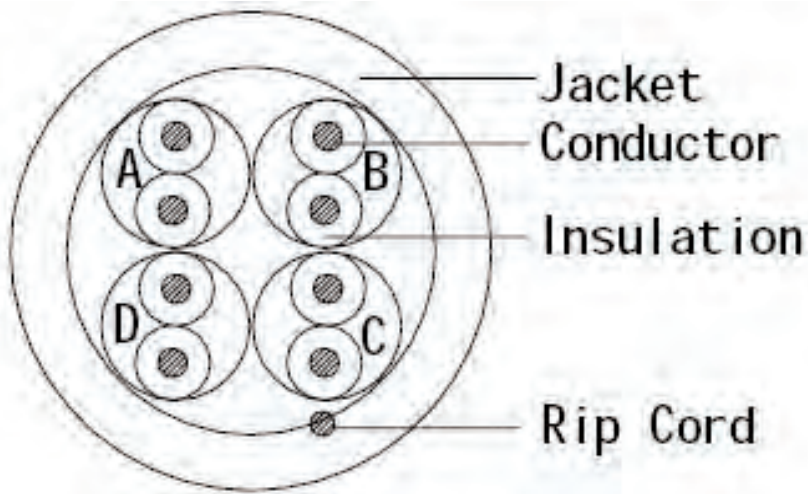
ISO/IEC 11801, TIA/EIA 568-A
 Impedance :100Ω±15%
 Max. Resistance Unbalance :3% (5% for TIA/EIA)
 Min. Propagation Velocity :0.65C
 Max. Mutual Capacitance :5.6nF/100m
 Max. Capacitance Unbalance :3400/3300 pF/Km (ISO/IEC,TIA/EIA)
 Max. D.C Resistance :9.38Ω/100m (24AWG)
 Max. D.C Loop Resistance :19.2Ω/100m
 Min. D.C Insulation Resistance :150MΩ/Km
 Max. Propagation Delay Skew :30 ns/100m

Frequency (MHz)	Attenuation (db/00m)		Next(dB)	
	Max.	Nom.	Min.	Nom.
.772	1.8	1.6	64	80
1	2.0	1.8	62	75
4	4.1	3.8	53	69
10	6.5	5.8	47	63
16	8.2	7.8	44	60
20	9.3	8.4	42	59
31.25	11.8	10.8	39	58
62.5	17.0	15.4	35	55
100	22.0	19.5	32	50
155	28.1	24.2	29.5	48
200	32.4	28.8	27.8	44
300	41.0	35.3	25.2	39
350	44.9	39.8	24.2	33

Frequency (MHz)	ACR (dB/100m)		SRL (dB)	
	Min.	Nom.	Min.	Nom.
.772	----	----	23	34
1	----	----	23	34
4	----	----	23	33
10	----	----	23	32
16	----	----	23	31
20	----	----	23	30
31.25	----	----	21	28
62.5	----	----	18	26
100	10	25	16	25
155	2	15	14	23
200	----	----	13	20
300	----	----	11	18
350	----	----	11	17

PG. 4	<input type="checkbox"/> P/N: 055-453/P/BL		
	<input type="checkbox"/> AUTHOR:		
	<input type="checkbox"/> DATE: 04/03/07	<input type="checkbox"/> REV: 01	
		<input type="checkbox"/> PRODUCT: CAT5E 350MHZ CABLE, UTP, 24AWG, 4P, SOLID, PLENUM, 1000' PULL BOX	

TECHNICAL DIAGRAM:



LABEL FOR PRODUCTION DATE CONTROL:

THIS UPC LABEL IS PLACED ON EACH 1 UNIT SHIPMENT CARTON.

LABEL: UPC CODE



IMPORTANT NOTE: --

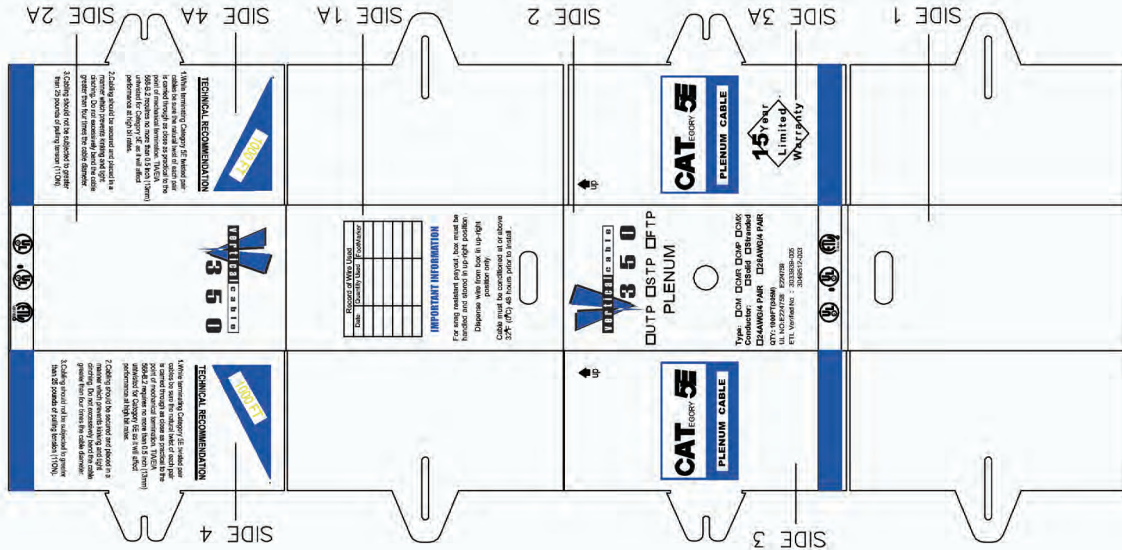
UL FILE NUMBER: E312655

ETL FILE NUMBER: --

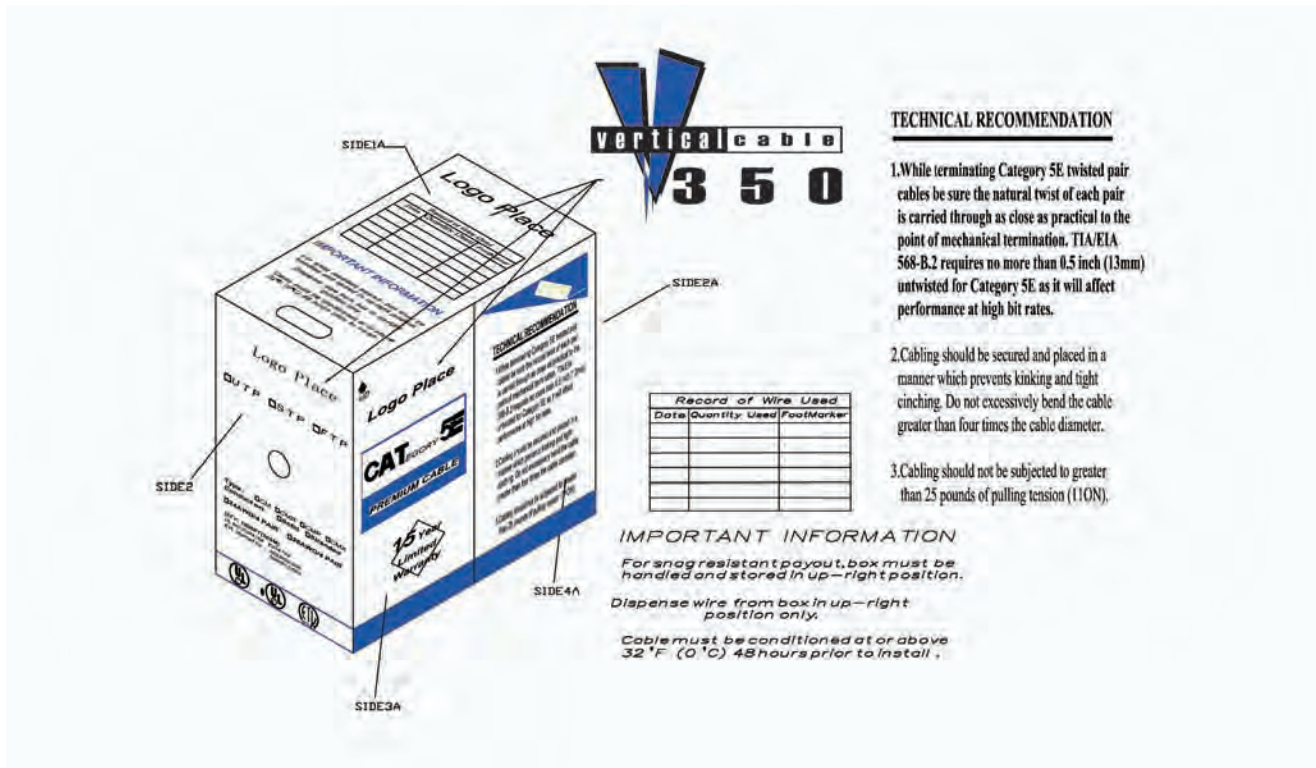
PG. 5	<input type="checkbox"/> P/N: 055-453/P/BL	<input type="checkbox"/> PRODUCT: CAT5E 350MHZ CABLE, UTP, 24AWG, 4P, SOLID, PLENUM, 1000' PULL BOX
	<input type="checkbox"/> AUTHOR:	
	<input type="checkbox"/> DATE: 04/03/07 <input type="checkbox"/> REV: 01	

PRODUCT PACKAGING DIMENSIONS:

PULL BOX PACKAGING - FLAT :



PULL BOX PACKAGING:



PG. 6

P/N: 055-453/P/BL

AUTHOR:

DATE: 04/03/07

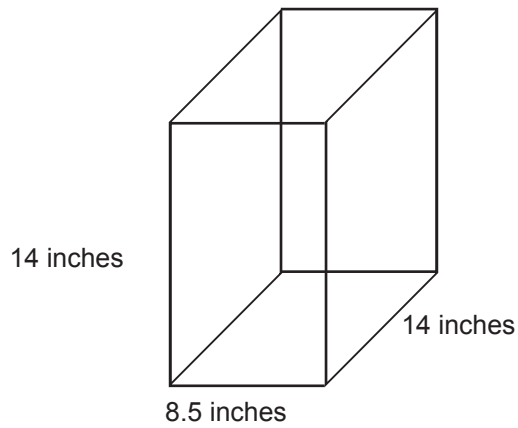
REV: 01

PRODUCT: CAT5E 350MHZ CABLE, UTP, 24AWG, 4P, SOLID, PLENUM, 1000' PULL BOX

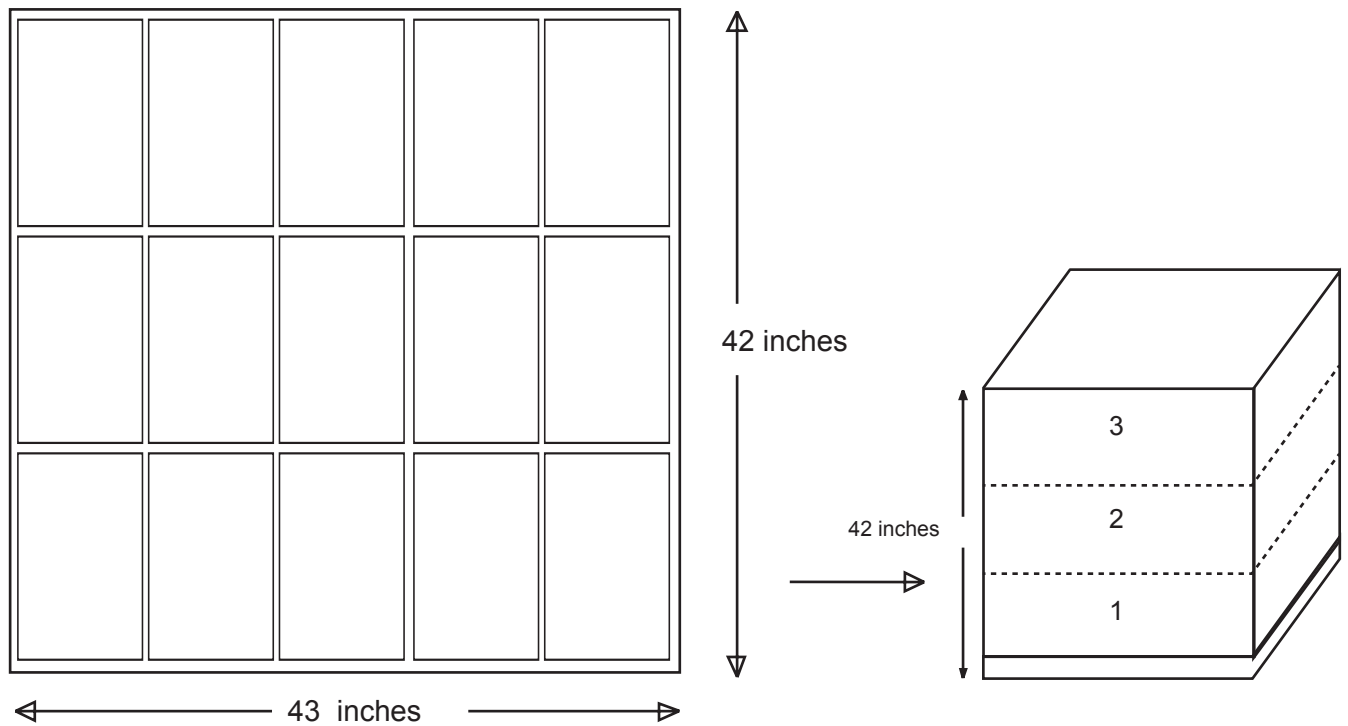


SHIPMENT CARTON:

SHIPMENT BOX DIMENSION:



SHIPMENT CARTONS PLACED IN A PALLET (ONE PALLET FITS 45 CARTONS):



**PG.
7**

P/N: 055-453/P/BL

PRODUCT: CAT5E 350MHZ CABLE, UTP, 24AWG, 4P, SOLID, PLENUM, 1000' PULL BOX

AUTHOR:

DATE: 04/03/07

REV: 01

