


# CAT5E 350MHZ PLENUM 24AWG, UTP, 4 PAIR, SOLID 1000' PULL BOX

PART NUMBER:  
**055-455/P/GY**



<b>PG.</b> <b>1</b>	<input type="checkbox"/> APPROVALS:	<input type="checkbox"/> DATE:	THE INFORMATION CONTAINED IN THIS DOCUMENT IS PROPRIETARY TO VERTICAL CABLE AND MAY NOT BE DISCLOSED OR TRANSMITTED TO ANY OTHER PARTIES WITHOUT THE EXPRESS WRITTEN PERMISSION OF VERTICAL CABLE. THIS INFORMATION IS PROVIDED FOR THE PURPOSES OF QUOTATION ONLY.  
	MARKETING		
	TECHNICAL		
	SALES		
	FINAL		

**GENERAL INFORMATION ABOUT THIS PRODUCT:**

MANUFACTURER:

REFERENCE: 055-455/P/GY

DESCRIPTION:

Category-5E UTP 1000' 8-Conductor, Bulk, Gray-Plenum Jacket, AWG24 Solid-Bare Copper, Pull Box (UL/ETL)

ACCESSORIES INCLUDED WITH THIS PRODUCT:

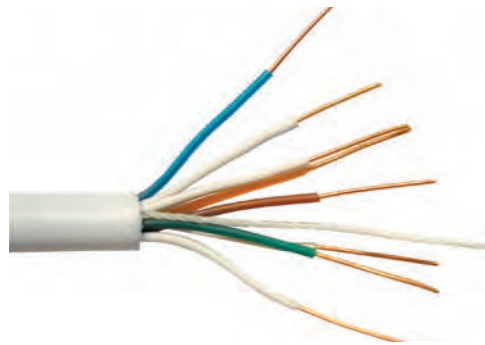
NONE

FEATURES AND BENEFITS:


- High-Performance Data Communications Cable
- Suitable for 350MHz High-Speed Data Applications, Gigabit Ethernet, Fast Ethernet and 155Mbps TP-PMD/CDDI
- Designed for Indoor Installations
- Flame Retardant – Type Plenum
- Category-5E Unshielded Twisted Pair (UTP) Cable
- 4-Pair – Easily Identified Color-Striped Pairs
- 24AWG Solid Bare Copper Conductors
- Excellent Attenuation and Crosstalk Characteristics
- Exceeds EIA/TIA 568 B.2-1, UL, CSA and ISO/IEC 11801 specifications
- UL/cUL or ETL Listed
- Supplied in 1000' Pull Boxes



PULL BOX



CABLE

<b>PG. 2</b>	<input type="checkbox"/> P/N: 055-455/P/GY	<input type="checkbox"/> PRODUCT: CAT5E 350MHZ CABLE, UTP, 24AWG, 4P, SOLID, PLENUM, 1000' PULL BOX
	<input type="checkbox"/> AUTHOR:	
	<input type="checkbox"/> DATE: 04/03/07 <input type="checkbox"/> REV: 01	

**TECHNICAL INFORMATION ABOUT THIS PRODUCT:**

MANUFACTURER:

REFERENCE: 055-455/P/GY

DESCRIPTION:

Category-5E UTP 1000' 8-Conductor, Bulk, Gray-Plenum Jacket, AWG24 Solid-Bare Copper, Pull Box (UL/ETL)

TECHNICAL SPECS:

<b>Conductor</b>	<b>Solid Bare Copper</b>
Size	24 AWG (0.51mm)
<b>Insulation</b>	<b>FRHDPE</b>
Thickness (mm)	0.20
<b>Outer Diameter</b>	<b>5.3mm</b>
<b>Jacket</b>	<b>FRPVC</b>
Color	Gray
<b>Color of Pairs</b>	
Pair 1	Blue,White-Blue
Pair 2	Orange,White-Orange
Pair 3	Green,White-Green
Pair 4	Brown,White-Brown

**Marking**

VERTICAL E312655 (UL) C(UL) CMR 75°C FT6 CAT5E UTP 4PR 24AWG 350MHz  
VERIFIED ETL PLENUM TIA/EIA - 568B.2-1 (VID:H1) XXX FT


SEQUENTIAL FOOT MARKERS ON JACKET

**Standards**

ETL Listed, Plenum  
UL and ETL Verified to ANSI/TIA/EIA-568-A Category 5  
ISO/IEC-11801  
NEMA WC63.1

**Applications**

ANSI X3T9.5 TP-PMD (FDDI)  
ATM PMD 155 Mbps  
IEEE 802.3 Fast Ethernet :10 Base-T, 100 Base-T4, 100 Base-X  
IEEE 802.5 :4/16 Mbps Token Ring  
IEEE 802.12 :100 Base-VG


<b>PG. 3</b>	<input type="checkbox"/> P/N: 055-455/P/GY	<input type="checkbox"/> PRODUCT: CAT5E 350MHZ CABLE, UTP, 24AWG, 4P, SOLID, PLENUM, 1000' PULL BOX
	<input type="checkbox"/> AUTHOR:	
	<input type="checkbox"/> DATE: 04/03/07 <input type="checkbox"/> REV: 01	

**Electrical Characteristics:**

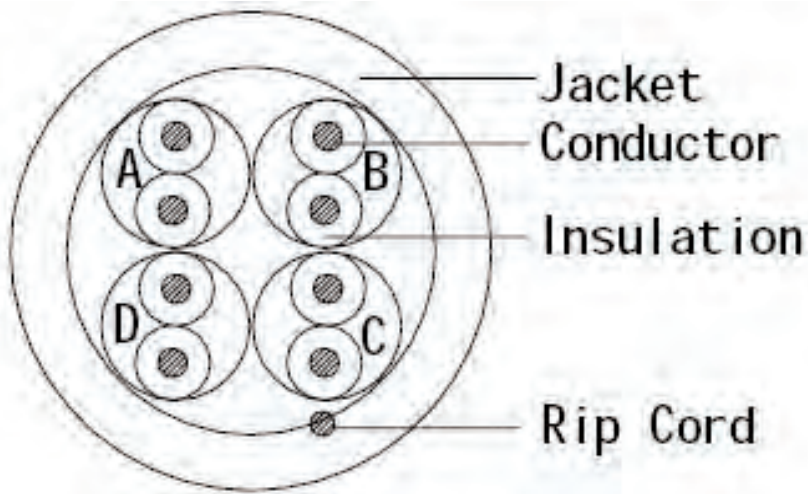
ISO/IEC 11801, TIA/EIA 568-A  
 Impedance :100Ω±15%  
 Max. Resistance Unbalance :3% (5% for TIA/EIA)  
 Min. Propagation Velocity :0.65C  
 Max. Mutual Capacitance :5.6nF/100m  
 Max. Capacitance Unbalance :3400/3300 pF/Km (ISO/IEC,TIA/EIA)  
 Max. D.C Resistance :9.38Ω/100m (24AWG)  
 Max. D.C Loop Resistance :19.2Ω/100m  
 Min. D.C Insulation Resistance :150MΩ/Km  
 Max. Propagation Delay Skew :30 ns/100m

Frequency (MHz)	Attenuation (db/00m)		Next(dB)	
	Max.	Nom.	Min.	Nom.
.772	1.8	1.6	64	80
1	2.0	1.8	62	75
4	4.1	3.8	53	69
10	6.5	5.8	47	63
16	8.2	7.8	44	60
20	9.3	8.4	42	59
31.25	11.8	10.8	39	58
62.5	17.0	15.4	35	55
100	22.0	19.5	32	50
155	28.1	24.2	29.5	48
200	32.4	28.8	27.8	44
300	41.0	35.3	25.2	39
350	44.9	39.8	24.2	33

Frequency (MHz)	ACR (dB/100m)		SRL (dB)	
	Min.	Nom.	Min.	Nom.
.772	----	----	23	34
1	----	----	23	34
4	----	----	23	33
10	----	----	23	32
16	----	----	23	31
20	----	----	23	30
31.25	----	----	21	28
62.5	----	----	18	26
100	10	25	16	25
155	2	15	14	23
200	----	----	13	20
300	----	----	11	18
350	----	----	11	17

<b>PG. 4</b>	<input type="checkbox"/> P/N: 055-455/P/GY		<input type="checkbox"/> PRODUCT: CAT5E 350MHZ CABLE, UTP, 24AWG, 4P, SOLID, PLENUM, 1000' PULL BOX  
	<input type="checkbox"/> AUTHOR:		
	<input type="checkbox"/> DATE: 04/03/07	<input type="checkbox"/> REV: 01	

TECHNICAL DIAGRAM:



**LABEL FOR PRODUCTION DATE CONTROL:**

THIS UPC LABEL IS PLACED ON EACH 1 UNIT SHIPMENT CARTON.


LABEL: UPC CODE



IMPORTANT NOTE: --

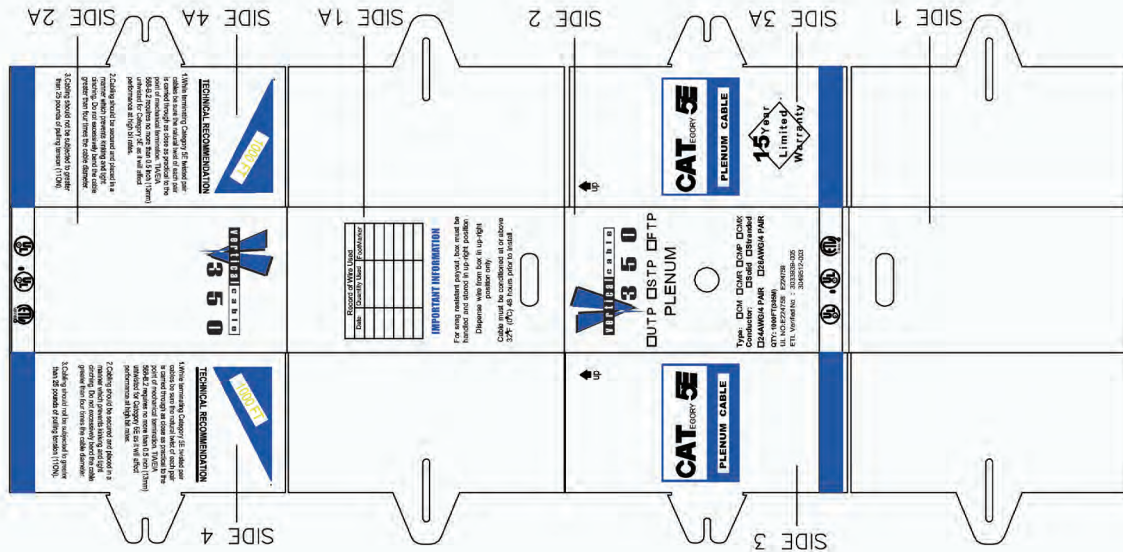
UL FILE NUMBER: E312655

ETL FILE NUMBER: --

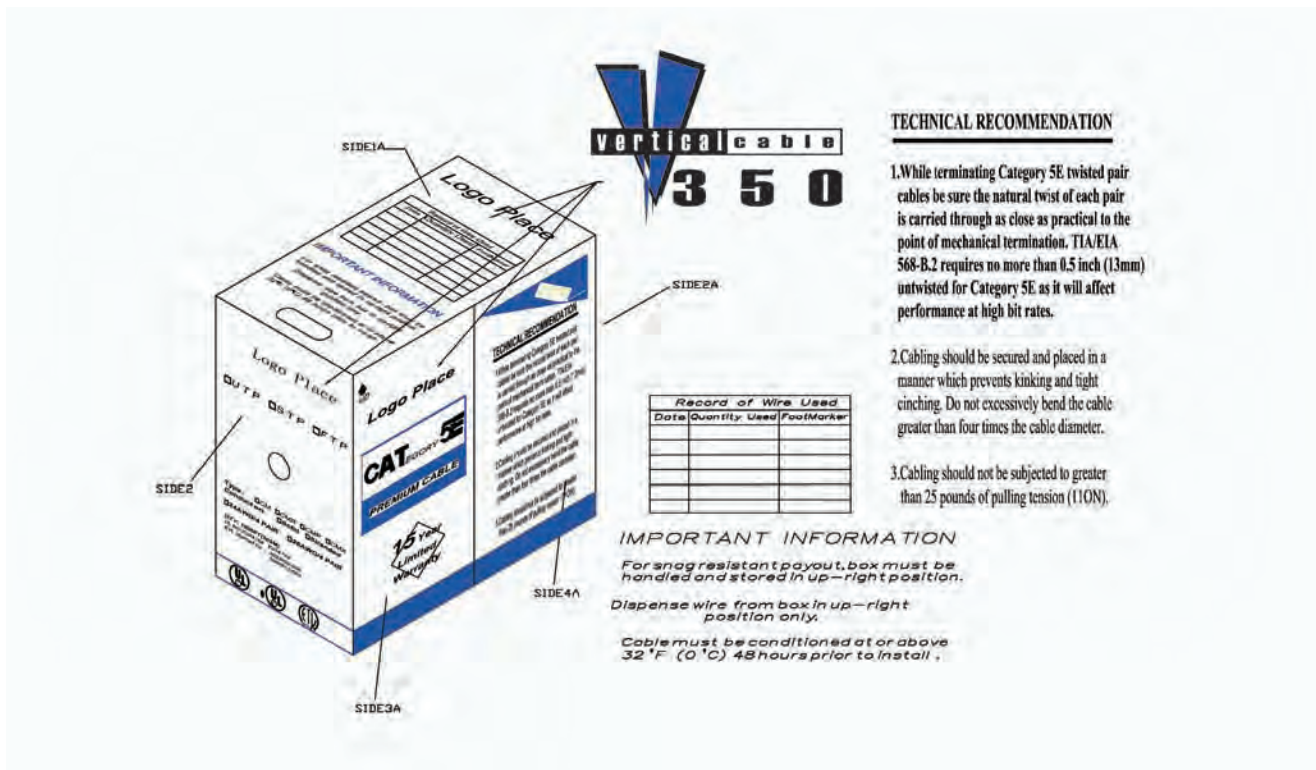
<b>PG. 5</b>	<input type="checkbox"/> P/N: 055-455/P/GY	<input type="checkbox"/> PRODUCT: CAT5E 350MHZ CABLE, UTP, 24AWG, 4P, SOLID, PLENUM, 1000' PULL BOX
	<input type="checkbox"/> AUTHOR:	
	<input type="checkbox"/> DATE: 04/03/07 <input type="checkbox"/> REV: 01	

**PRODUCT PACKAGING DIMENSIONS:**

**PULL BOX PACKAGING - FLAT :**



**PULL BOX PACKAGING:**



**TECHNICAL RECOMMENDATION**

1. While terminating Category 5E twisted pair cables be sure the natural twist of each pair is carried through as close as practical to the point of mechanical termination. TIA/EIA 568-B.2 requires no more than 0.5 inch (13mm) untwisted for Category 5E, as it will affect performance at high bit rates.
2. Cabling should be secured and placed in a manner which prevents kinking and tight cinching. Do not excessively bend the cable greater than four times the cable diameter.
3. Cabling should not be subjected to greater than 25 pounds of pulling tension (110N).

Record of Wire Used		
Date	Quantity Used	FootMarker

**IMPORTANT INFORMATION**  
 For snag resistant payout, box must be handled and stored in up-right position.  
 Dispense wire from box in up-right position only.  
 Cable must be conditioned at or above 32°F (0°C) 48 hours prior to install.

**PG. 6**

P/N: 055-455/P/GY

AUTHOR:

DATE: 04/03/07

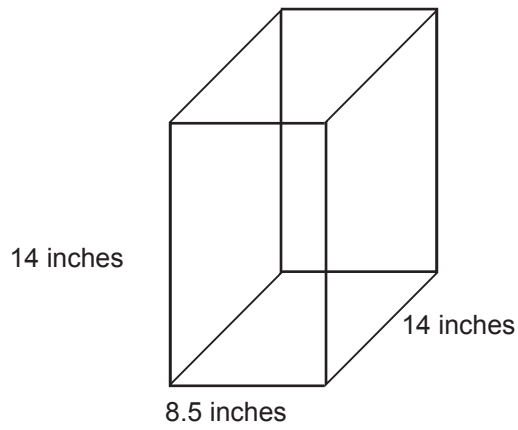
REV: 01

PRODUCT: CAT5E 350MHZ CABLE, UTP, 24AWG, 4P, SOLID, PLENUM, 1000' PULL BOX

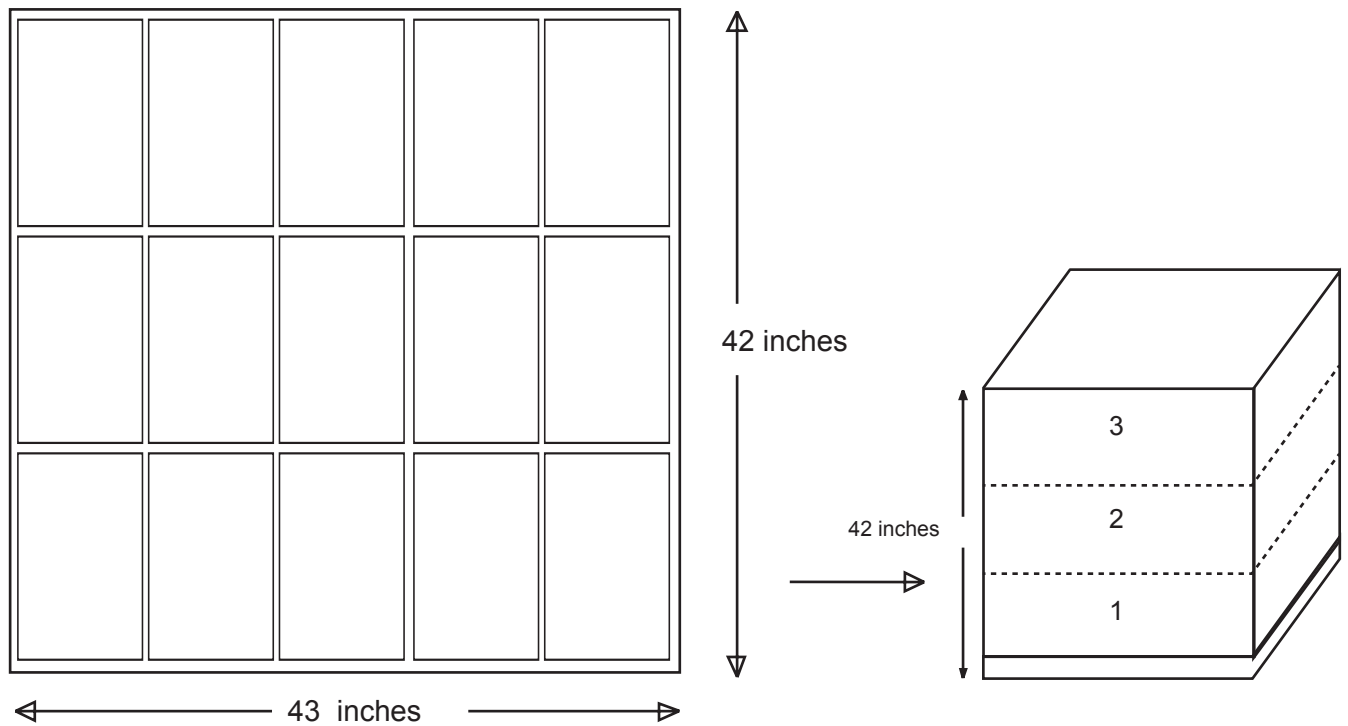


**SHIPMENT CARTON:**

**SHIPMENT BOX DIMENSION:**



**SHIPMENT CARTONS PLACED IN A PALLET (ONE PALLET FITS 45 CARTONS):**



**PG.  
7**

P/N: 055-455/P/GY

AUTHOR:

DATE: 04/03/07

REV: 01

PRODUCT: CAT5E 350MHZ CABLE, UTP, 24AWG, 4P, SOLID, PLENUM, 1000' PULL BOX

