


# RG59U COAXIAL 95% BRAID SIAMESE W/ 18AWG 2 CONDUCTORS 500' REEL IN BOX

PART NUMBER:  
**107-1948BK/595RB**



<b>PG. 1</b>	<input type="checkbox"/> APPROVALS:	<input type="checkbox"/> DATE:	<p>THE INFORMATION CONTAINED IN THIS DOCUMENT IS PROPRIETARY TO VERTICAL CABLE AND MAY NOT BE DISCLOSED OR TRANSMITTED TO ANY OTHER PARTIES WITHOUT THE EXPRESS WRITTEN PERMISSION OF VERTICAL CABLE. THIS INFORMATION IS PROVIDED FOR THE PURPOSES OF QUOTATION ONLY.</p> 
	MARKETING		
	TECHNICAL		
	SALES		
	FINAL		

**GENERAL INFORMATION ABOUT THIS PRODUCT:**

MANUFACTURER:

REFERENCE:107-1948BK/595RB

DESCRIPTION:

RG59U, Siamese, (1) 20AWG Coaxial Cable, 95% Bare Copper Braid, and (2) 18AWG Power Cables, Siamese PVC Jacket 500', Reel in Box

ACCESSORIES INCLUDED WITH THIS PRODUCT:

NONE


FEATURES AND BENEFITS:

- RG59U Type coax plus one pair 18 AWG power cable
- Solid Bare Copper Conductor 20 AWG
- Bare copper braid shield 95% coverage
- Unshielded 18 AWG twisted pair employing PVC insulation and PVC fillers
- Siamese type configuration with separation web
- Indoor cable application (non-conduit per NEC) for: CCTV
- Available in a wooden spool



REEL IN BOX

CABLE

<b>PG. 2</b>	<input type="checkbox"/> P/N: 107-1948BK/595RB	<input type="checkbox"/> PRODUCT: RG59U COAXIAL 95% BRAID SIAMESE W/ 18AWG 2 CONDUCTORS
	<input type="checkbox"/> AUTHOR:	
	<input type="checkbox"/> DATE: 04/03/07 <input type="checkbox"/> REV: 01	

**TECHNICAL INFORMATION ABOUT THIS PRODUCT:**

MANUFACTURER:

REFERENCE:107-1948BK/595RB

DESCRIPTION:

RG59U, Siamese, (1) 20AWG Coaxial Cable, 95% Bare Copper Braid, and (2) 18AWG Power Cables, Siamese PVC Jacket 500', Reel in Box

TECHNICAL SPECS:


**Physical Characteristics:**

	<b>Coax</b>	<b>W/18/2</b>
<b>Inter Conductor</b>		
Size	20 AWG	18 AWG
Material	Bare Copper (Solid)	Bare Copper
Construction	Φ0.81±0.12mm	0.4±0.02mm x7
<b>Insulation</b>		
Material	Foamed PE	PVC
Diameter	Φ3.66±0.1mm	1.9±0.1mm
Min. Thickness	1.18mm	-----
Color	White	Red/Black
<b>First Shield Outer Conductor</b>		
Material	-----	-----
<b>Second Shield Outer Conductor</b>		
Size	0.12mm	-----
Material	Copper Wire	-----
Construction	0.12x9x16 (95%)	-----
<b>Jacket</b>		
Material	PVC	PVC
Diameter	6.1±0.15mm	5.3±0.15mm
Min. Thickness	0.69mm	0.50mm
Color	Black	
<b>Electrical Specifications</b>		
Center Conductor DC Resistance	≤33.9Ω/km	≤21.8Ω/km
Nominal Capacitance	52±2pF/m	-----
Impedance	75±3 Ohms	-----

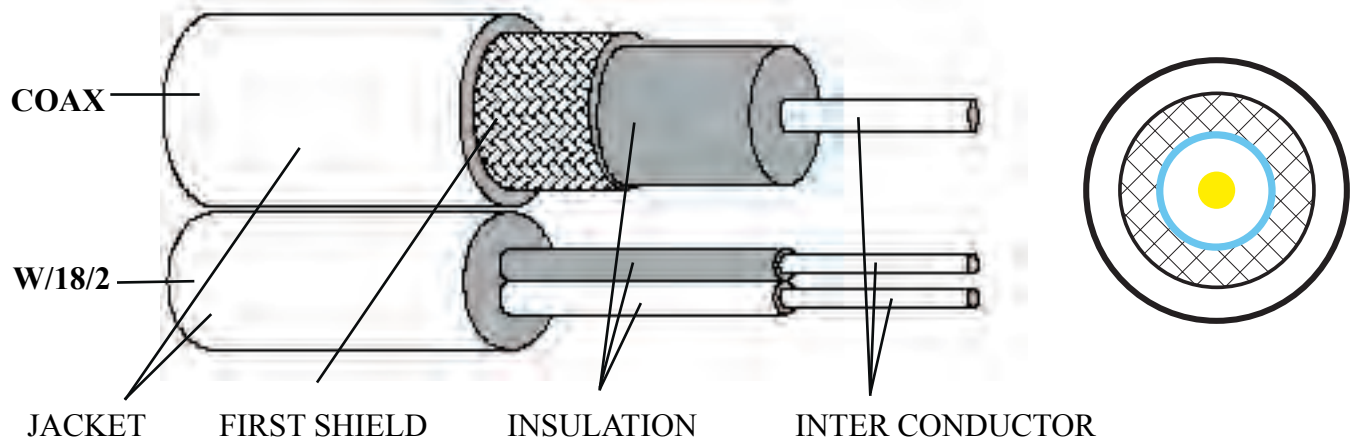
**Marking**

VERTICAL E312655 RG-59U 20AWG+18/2 (UL) C(UL) CM/X / CATV/CCTV (UL) / CL2 (UL) / AWM STYLE1354 (VID:C2) XXXFT

SEQUENTIAL FOOT MARKERS ON JACKET

<b>PG. 3</b>	<input type="checkbox"/> P/N: 107-1948BK/595RB	<input type="checkbox"/> PRODUCT: RG59U COAXIAL 95% BRAID SIAMESE W/ 18AWG 2 CONDUCTORS
	<input type="checkbox"/> AUTHOR:	
	<input type="checkbox"/> DATE: 04/03/07 <input type="checkbox"/> REV: 01	

TECHNICAL DIAGRAM:



PG.  
4

P/N: 107-1948BK/595RB

PRODUCT: RG59U COAXIAL 95% BRAID SIAMESE  
W/ 18AWG 2 CONDUCTORS

AUTHOR:

DATE: 04/03/07

REV: 01



**LABEL FOR PRODUCTION DATE CONTROL:**

THIS FAMILY OF COAXIAL BULK CABLE WILL NOT INCLUDE SERIAL NUMBER.

THIS UPC LABEL IS PLACED ON EACH 1 UNIT SHIPMENT CARTON.


LABEL: UPC CODE BELOW



IMPORTANT NOTE: --

UL FILE NUMBER: E312655

ETL FILE NUMBER: --

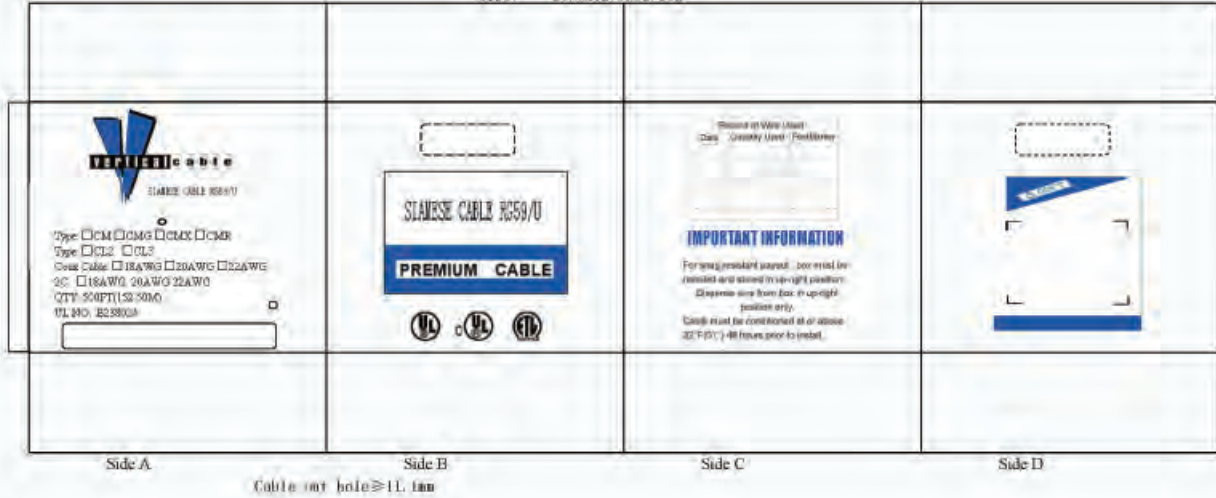
<b>PG. 5</b>	<input type="checkbox"/> P/N: 107-1948BK/595RB	<input type="checkbox"/> PRODUCT: RG59U COAXIAL 95% BRAID SIAMESE W/ 18AWG 2 CONDUCTORS
	<input type="checkbox"/> AUTHOR:	
	<input type="checkbox"/> DATE: 04/03/07 <input type="checkbox"/> REV: 01	

**PRODUCT PACKAGING DIMENSIONS:**


**BOX PACKAGING - FLAT :**

Carton layout of Siamese Cable

Size: 26.5x32.5x32.5cm

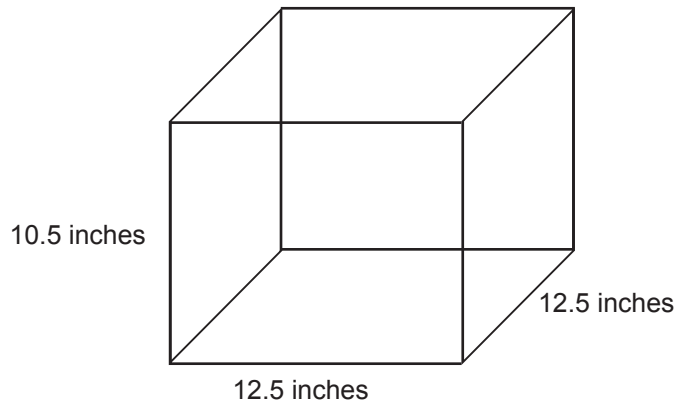


**BOX PACKAGING:**

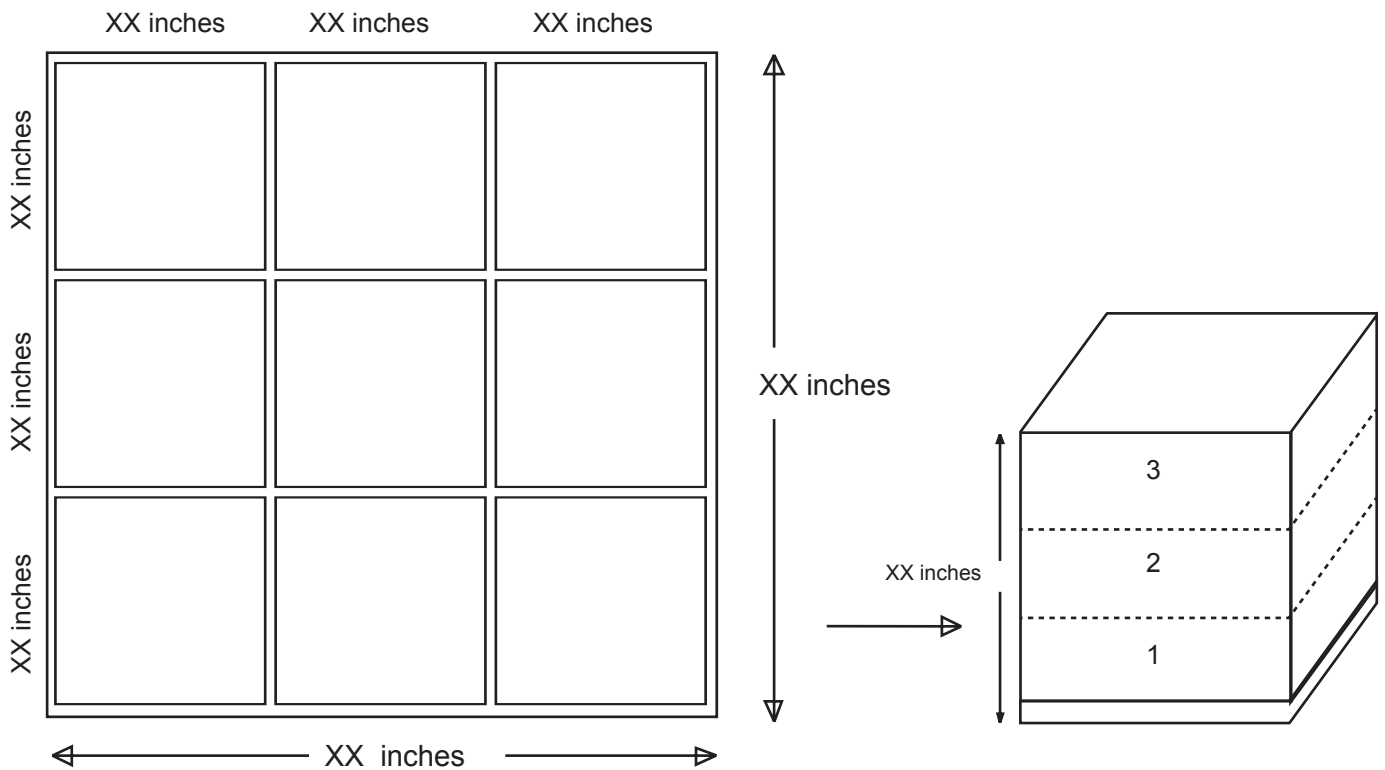
<b>PG. 6</b>	<input type="checkbox"/> P/N: 107-1948BK/595RB	<input type="checkbox"/> PRODUCT: RG59U COAXIAL 95% BRAID SIAMESE W/ 18AWG 2 CONDUCTORS
	<input type="checkbox"/> AUTHOR:	
	<input type="checkbox"/> DATE: 04/03/07	

**SHIPMENT CARTON:**

**SHIPMENT CARTON DIMENSION:**



**SHIPMENT SPOOLS PLACED IN A PALLET (ONE PALLET FITS XX CARTONS):**



<b>PG. 7</b>	<input type="checkbox"/> P/N: 107-1948BK/595RB	<input type="checkbox"/> PRODUCT: RG59U COAXIAL 95% BRAID SIAMESE W/ 18AWG 2 CONDUCTORS
	<input type="checkbox"/> AUTHOR:	
	<input type="checkbox"/> DATE: 04/03/07 <input type="checkbox"/> REV: 01	