

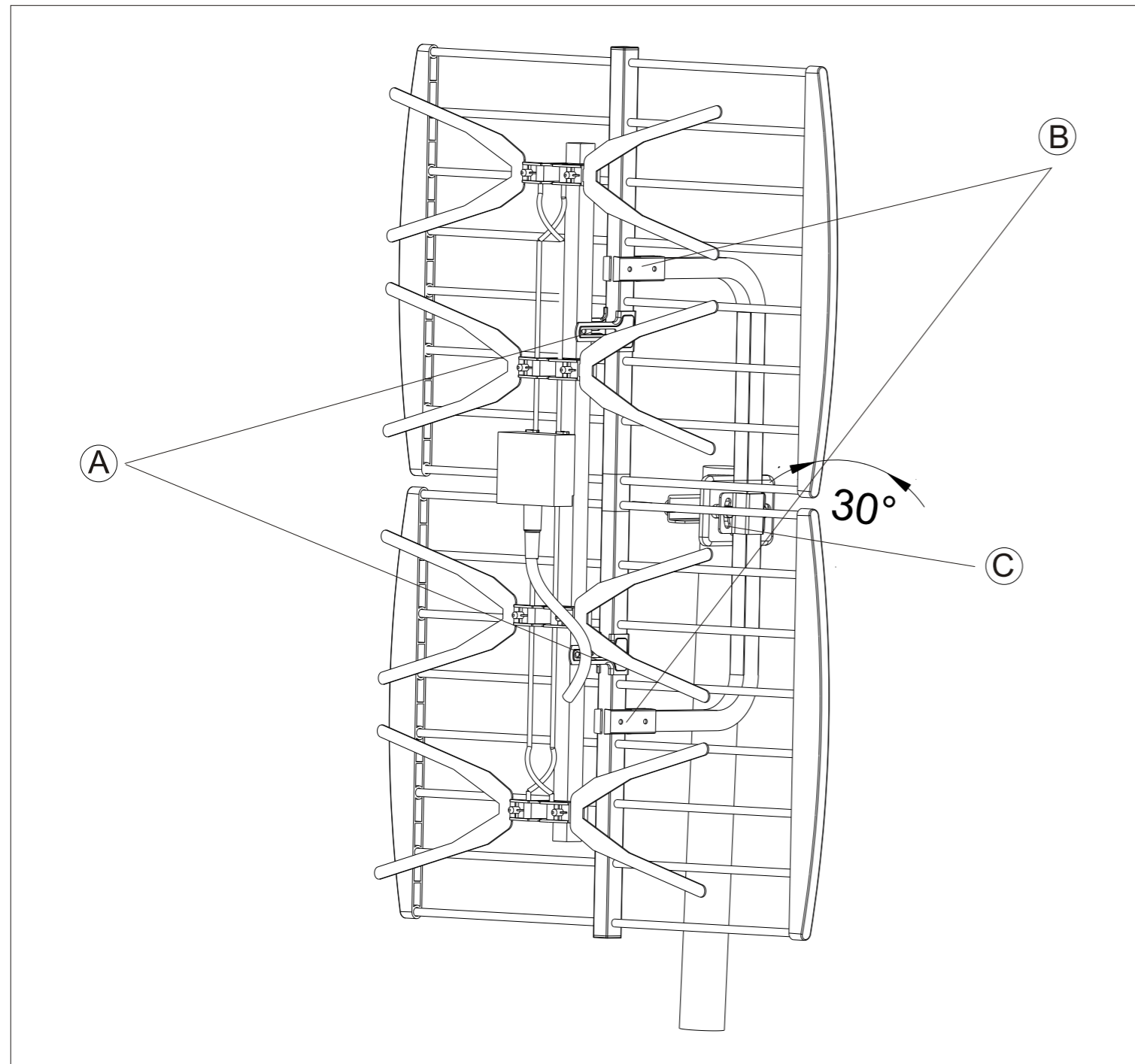
INSTRUCTION SHEET

WARNING: Installation of this product near power lines is DANGEROUS. For your safety, read the enclosed "DANGER" booklet before beginning your installation.

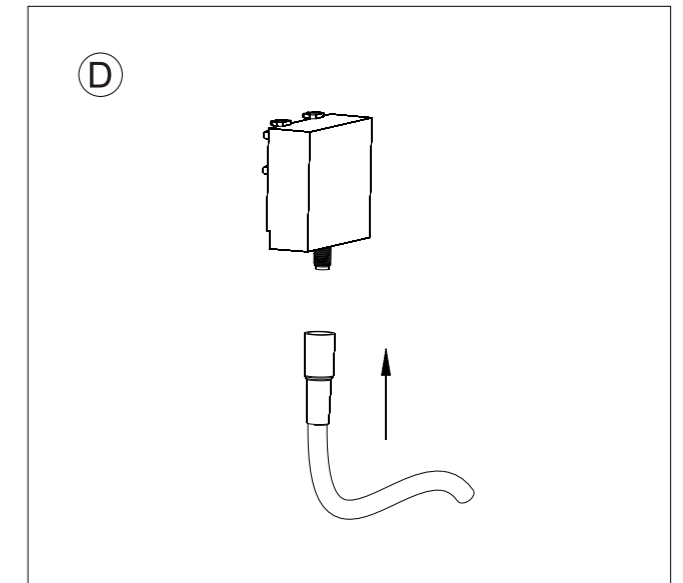
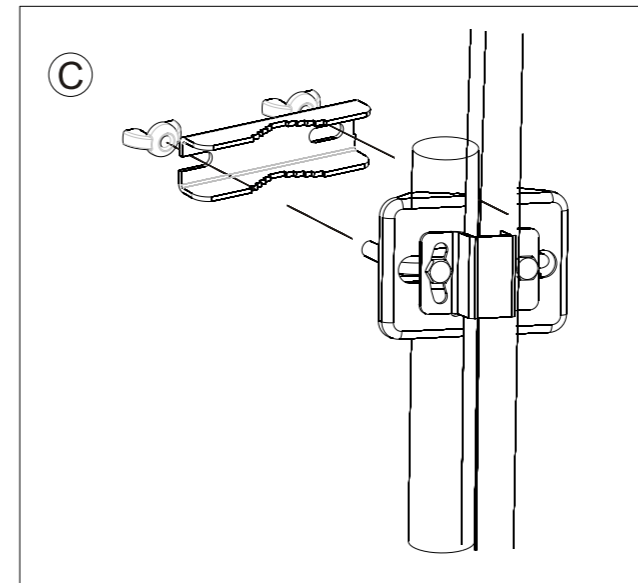
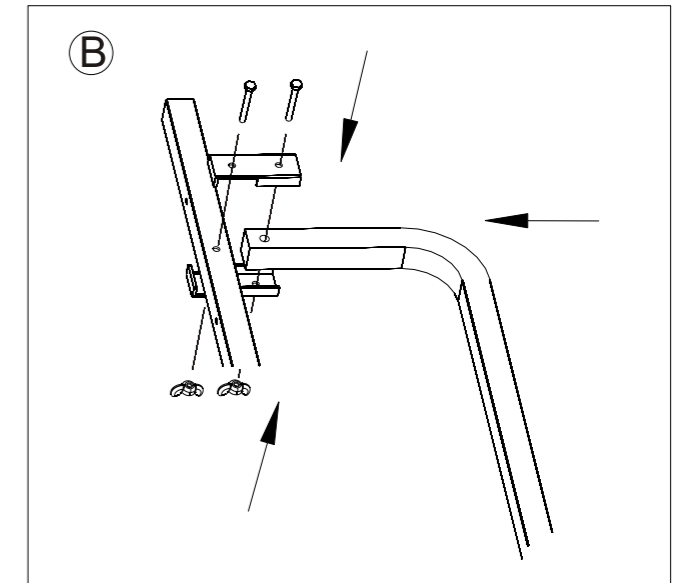
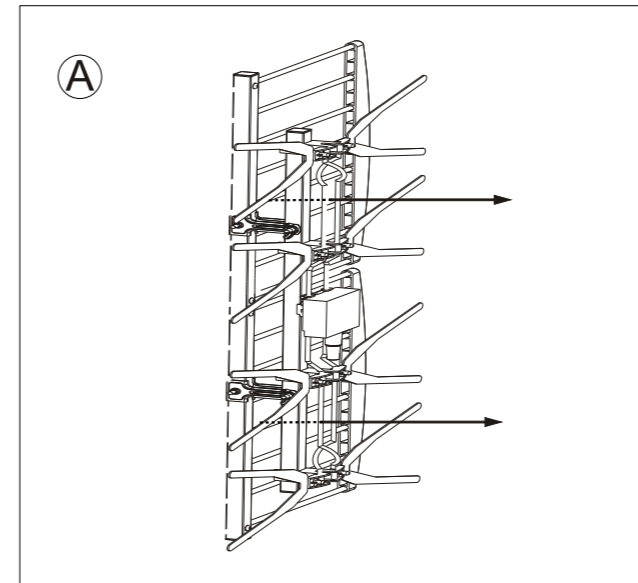
Technical data:

Frequency	Channel	Imped	No. of elements	Gain	Front-back ratio	Beam width Horz / Vert	Length
470~862 MHz	14-69	75Ω	4	10-14dB	22dB	H32° / V60°	800mm

Antenna assembly:



Antenna assembly:



STEP 1. Loosen the (2) wing nuts and pull out the short square boom with the mounted "X" shaped driven elements away from the reflector panel until stop is reached. Re-tighten the wing nuts FIRMLY as to fix boom position in place. (See FIG. A)

STEP 2. Install the "U" shape supporting arm to the antenna with attached hardware. Tighten this hardware. (SEE FIG. B)

STEP 3. Mount the antenna to your mast using the clamps and brackets as shown in FIG. C --- Note: DO NOT firmly tighten the hardware at this point, leave just slightly loose.

STEP 4. Connect your Coaxial Cable Antenna Lead "F" connector to the dipole box. Use the water-proof cover to protect the "F" connection from moisture, water and rain.

STEP 5. Point the "X" shaped driven elements toward the TV Station Transmitter desired and adjust the antenna for best reception.

STEP 6. Inspect, Tighten all loose hardware. Ground Antenna Lead before connecting TV!