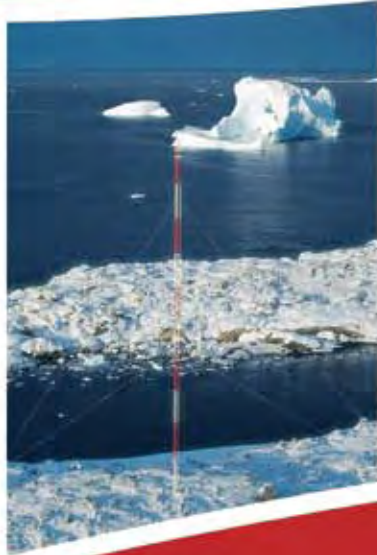
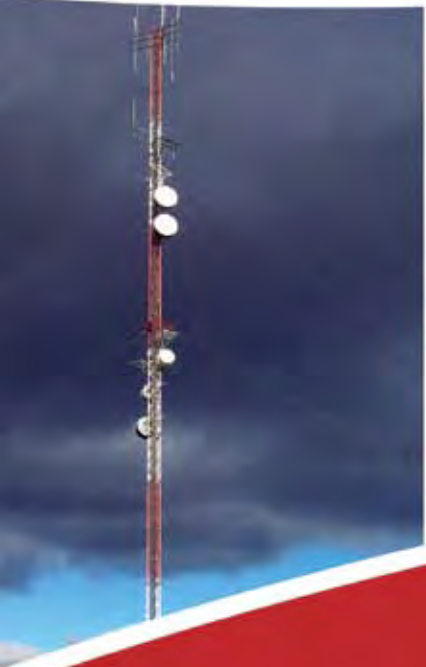


# GUYED TOWERS





## STANDARD 55G GUYED TOWER

**ROHN 55G**  
The first. The original.



# 55G



### GENERAL USE

The 55G lends itself to a wide variety of uses, particularly where unusual wind loading and height requirements exist. The 55G was designed to provide excellent strength in heights up to 400'.

### FEATURES

- Completely hot-dip galvanized after fabrication
- Built on a 17" equilateral triangle design
- High strength tubular legs joined by Zig-Zag® cross members
- Each section contains all required nuts and bolts shipped with section
- Continuous solid round steel bracing

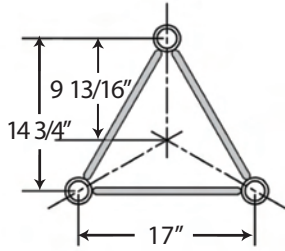
### CAUTION

Mixing copies of ROHN towers with ROHN towers is dangerous and voids all engineering and warranty data supplied by ROHN. Materials used by others are not the same quality and have not been tested or engineered by ROHN. Mixing ROHN tower sections with non-ROHN products may cause tower failure or injury.

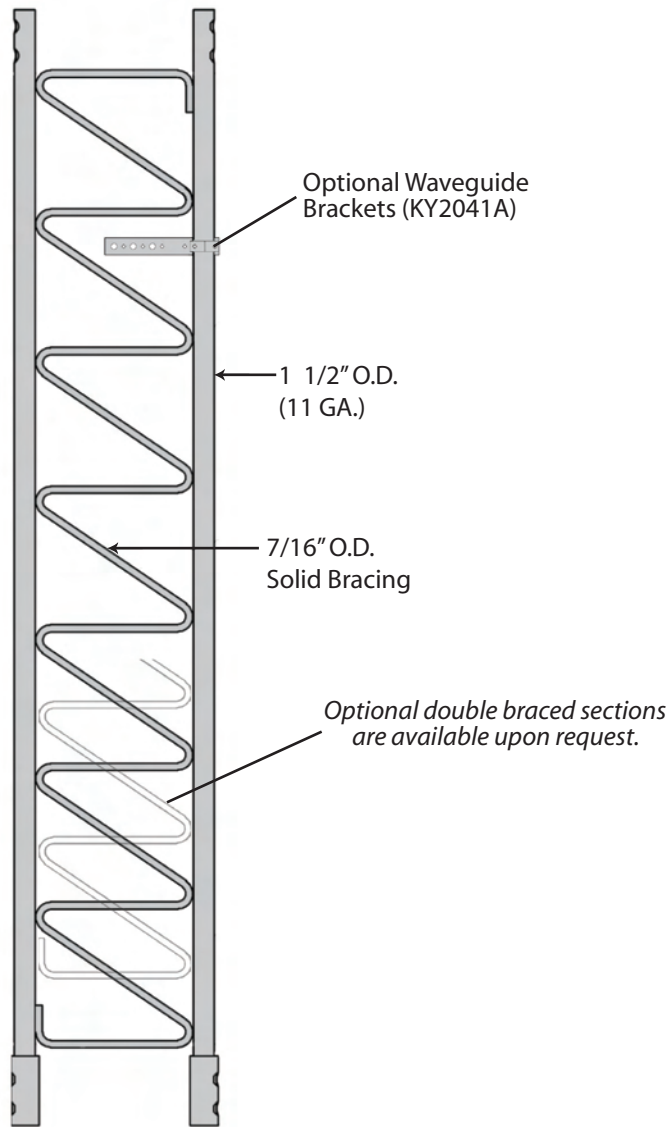
*Per Rev G requirements, any structure greater than 10' requires a climber safety device. Please see page 116 for ordering information.*



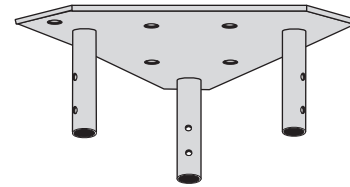
## STANDARD 55G GUYED TOWER SECTIONS



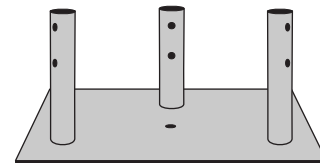
QUICK REFERENCE	
PARTS & ACCESSORIES	PAGES 115-116
GROUNDING INFORMATION	PAGE 117
FOUNDATION INFORMATION	PAGES 117-120



**STANDARD SECTION**  
55G - 10' Section



**TOP PLATE**  
APL55G  
FOR MOUNTING BEACON OR LIGHTNING ROD.  
TOP PLATE BOLTS TO THE TOP OF  
A STANDARD SECTION.



**CONCRETE BASE PLATE**  
BPC55G\*  
FOR USE WITH 3/4X12PP PIER PIN  
EMBEDDED IN CONCRETE.

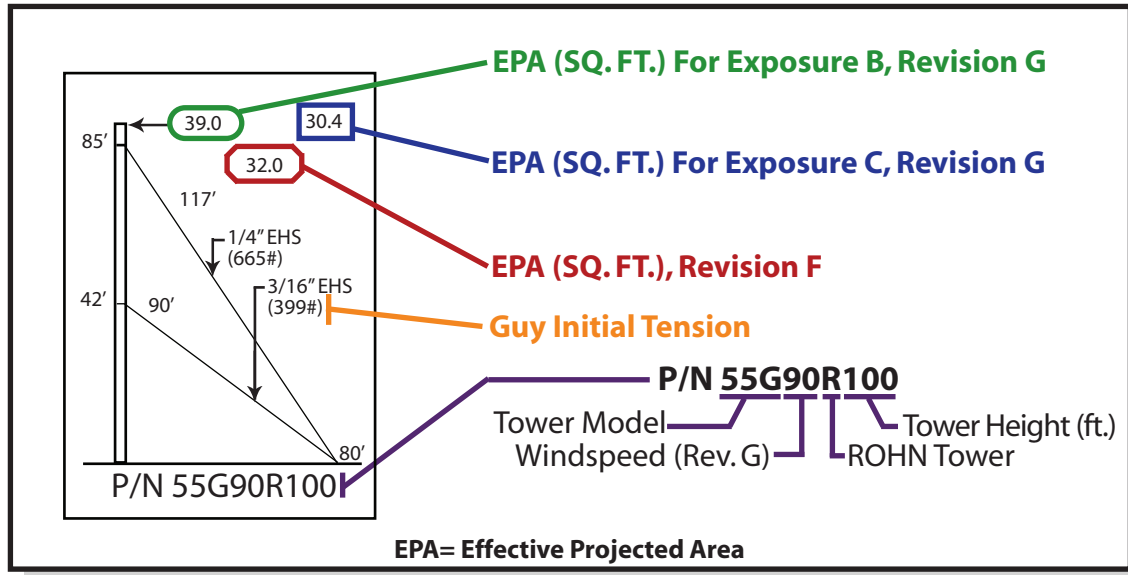
Additional base sections are available, please see page 115.

\* Towers mounted on these bases must be bracketed or guyed at all times. Temporary steel guying may also be necessary during installation and dismantling.



BUYERS GUIDE
STANDARD DESIGNS - 55G
90MPH REV. G [3 SECOND GUST]
70MPH REV. F [FASTEST MILE]

Design Criteria



This document is to serve as a guide for sizing and purchasing the 55G tower. Tower and foundation installations should be performed by qualified and experienced personnel using assembly drawings provided with each tower.

DESIGN NOTES:

- 1. Tower designs are in accordance with ANSI/TIA-222-F and ANSI/TIA-222-G, Class I Structures, Topographic Category 1.
2. Design assumes towers are installed on level ground. Lower EPA values will apply for roof mounted towers or for sites located on unusual terrain.
3. Designs assume two 1/2" diameter lines on each tower face.
4. Anchor radius is from tower base to intersection of anchor rod with ground.
5. Guy chord lengths shown are based on level ground. Initial tensions for guys are shown in ( ) in pounds at 60° Fahrenheit.
6. Antenna and mounts are assumed symmetrically placed at the tower top.

PARTS LIST NOTES:

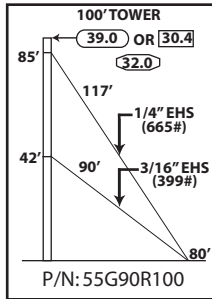
- 1. Items listed are required for complete guyed towers.
2. Base and anchor foundations listed refer to standard foundation designations.
3. Guys provided with each standard tower are based on level ground conditions with an additional 6% length.
4. Rev G anchor grounding (AGK1GGX) and base grounding (BGK2GGX) are included with the tower material.
5. Assembly drawings and a safety package (P/N: ACWS) are included with each tower.
6. Parts lists are subject to change based on availability or revised design criteria.

FOR FOUNDATION INFORMATION, PLEASE SEE PAGES 117-120.
FOR GENERAL INSTALLATION INFORMATION, PLEASE SEE PAGES 147-153.



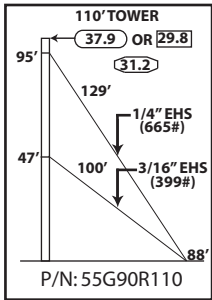
## STANDARD DESIGN - 55G

### 90 MPH REV. G, 70MPH REV. F



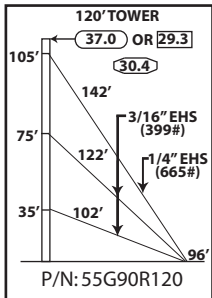
TOWER PARTS INCLUDED	55G	BPC55G	APL55G	GA55GD	FDNS		
					BASE	ANCHOR	
	10	1	1	2	CB1G	AB2	
GUYS & CONNECTIONS INCLUDED	3/16EHS	1/4EHS	BG2142	BG2144	5/16THH	3/8THH	1/2TBE&J
	300'	375'	6	6	6	6	6
ANCHORS & GROUNDING INCLUDED	GAC3455TOP	AGK1GGX	BGK2GGX	CPC.5/.75	TBSAFETY	3/4x12PP	
	3	1	3	3	3	1	

**100' ROHN 55G**  
All parts shown in table are included when ordering  
Part No: 55G90R100



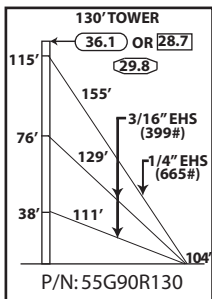
TOWER PARTS INCLUDED	55G	BPC55G	APL55G	GA55GD	FDNS		
					BASE	ANCHOR	
	11	1	1	2	CB1G	AB2	
GUYS & CONNECTIONS INCLUDED	3/16EHS	1/4EHS	BG2142	BG2144	5/16THH	3/8THH	1/2TBE&J
	325'	425'	6	6	6	6	6
ANCHORS & GROUNDING INCLUDED	GAC3455TOP	AGK1GGX	BGK2GGX	CPC.5/.75	TBSAFETY	3/4x12PP	
	3	1	3	3	3	1	

**110' ROHN 55G**  
All parts shown in table are included when ordering  
Part No: 55G90R110



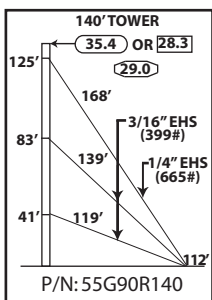
TOWER PARTS INCLUDED	55G	BPC55G	APL55G	GA55GD	FDNS		
					BASE	ANCHOR	
	12	1	1	3	CB1G	AB2	
GUYS & CONNECTIONS INCLUDED	3/16EHS	1/4EHS	BG2142	BG2144	5/16THH	3/8THH	1/2TBE&J
	725'	475'	12	6	12	6	9
ANCHORS & GROUNDING INCLUDED	GAC3455TOP	AGK1GGX	BGK2GGX	CPC.5/.75	TBSAFETY	3/4x12PP	
	3	1	3	3	3	1	

**120' ROHN 55G**  
All parts shown in table are included when ordering  
Part No: 55G90R120



TOWER PARTS INCLUDED	55G	BPC55G	APL55G	GA55GD	FDNS		
					BASE	ANCHOR	
	13	1	1	3	CB1G	AB2	
GUYS & CONNECTIONS INCLUDED	3/16EHS	1/4EHS	BG2142	BG2144	5/16THH	3/8THH	1/2TBE&J
	775'	500'	12	6	12	6	9
ANCHORS & GROUNDING INCLUDED	GAC3455TOP	AGK1GGX	BGK2GGX	CPC.5/.75	TBSAFETY	3/4x12PP	
	3	1	3	3	3	1	

**130' ROHN 55G**  
All parts shown in table are included when ordering  
Part No: 55G90R130

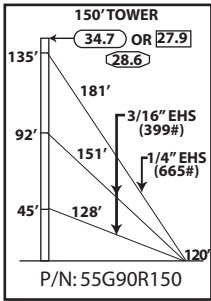


TOWER PARTS INCLUDED	55G	BPC55G	APL55G	GA55GD	FDNS		
					BASE	ANCHOR	
	14	1	1	3	CB1G	AB2	
GUYS & CONNECTIONS INCLUDED	3/16EHS	1/4EHS	BG2142	BG2144	5/16THH	3/8THH	1/2TBE&J
	825'	550'	12	6	12	6	9
ANCHORS & GROUNDING INCLUDED	GAC3455TOP	AGK1GGX	BGK2GGX	CPC.5/.75	TBSAFETY	3/4x12PP	
	3	1	3	3	3	1	

**140' ROHN 55G**  
All parts shown in table are included when ordering  
Part No: 55G90R140

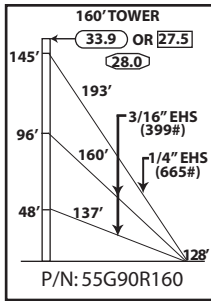


## STANDARD DESIGN - 55G 90MPH REV. G, 70MPH REV. F



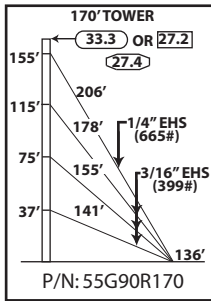
TOWER PARTS INCLUDED	55G	BPC55G	APL55G	GA55GD	FDNS		
					BASE	ANCHOR	
	15	1	1	3	CB2G	AB2	
GUYS & CONNECTIONS INCLUDED	3/16EHS	1/4EHS	BG2142	BG2144	5/16THH	3/8THH	1/2TBE&J
	900'	600'	12	6	12	6	9
ANCHORS & GROUNDING INCLUDED	GAC3455TOP	AGK1GGX	BGK2GGX	CPC.5/.75	TBSAFETY	3/4x12PP	
	3	1	3	3	3	1	

**150' ROHN 55G**  
All parts shown in table are included when ordering  
Part No: 55G90R150



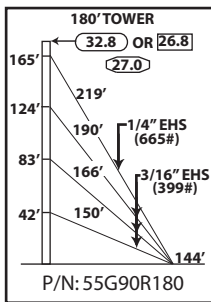
TOWER PARTS INCLUDED	55G	BPC55G	APL55G	GA55GD	FDNS		
					BASE	ANCHOR	
	16	1	1	3	CB2G	AB2	
GUYS & CONNECTIONS INCLUDED	3/16EHS	1/4EHS	BG2142	BG2144	5/16THH	3/8THH	1/2TBE&J
	950'	625'	12	6	12	6	9
ANCHORS & GROUNDING INCLUDED	GAC3455TOP	AGK1GGX	BGK2GGX	CPC.5/.75	TBSAFETY	3/4x12PP	
	3	1	3	3	3	1	

**160' ROHN 55G**  
All parts shown in table are included when ordering  
Part No: 55G90R160



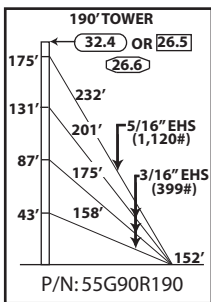
TOWER PARTS INCLUDED	55G	BPC55G	APL55G	GA55GD	FDNS		
					BASE	ANCHOR	
	17	1	1	4	CB2G	AB2	
GUYS & CONNECTIONS INCLUDED	3/16EHS	1/4EHS	BG2142	BG2144	5/16THH	3/8THH	1/2TBE&J
	1525'	675'	18	6	18	6	12
ANCHORS & GROUNDING INCLUDED	GAC3455TOP	AGK1GGX	BGK2GGX	CPC.5/.75	TBSAFETY	3/4x12PP	
	3	1	3	3	3	1	

**170' ROHN 55G**  
All parts shown in table are included when ordering  
Part No: 55G90R170



TOWER PARTS INCLUDED	55G	BPC55G	APL55G	GA55GD	FDNS		
					BASE	ANCHOR	
	18	1	1	4	CB2G	AB2	
GUYS & CONNECTIONS INCLUDED	3/16EHS	1/4EHS	BG2142	BG2144	5/16THH	3/8THH	1/2TBE&J
	1625'	700'	18	6	18	6	12
ANCHORS & GROUNDING INCLUDED	GAC3455TOP	AGK1GGX	BGK2GGX	CPC.5/.75	TBSAFETY	3/4x12PP	
	3	1	3	3	3	1	

**180' ROHN 55G**  
All parts shown in table are included when ordering  
Part No: 55G90R180

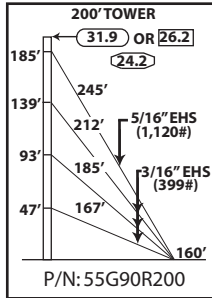


TOWER PARTS INCLUDED	55G	BPC55G	APL55G	GA55GD	FDNS		
					BASE	ANCHOR	
	19	1	1	4	CB2G	AB3	
GUYS & CONNECTIONS INCLUDED	3/16EHS	1/4EHS	BG2142	BG2146	5/16THH	7/16THH	5/8TBE&J
	1700'	750'	18	6	18	6	12
ANCHORS & GROUNDING INCLUDED	GAC3455TOP	AGK1GGX	BGK2GGX	CPC1/1.25	TBSAFETY	3/4x12PP	
	3	1	3	3	3	1	

**190' ROHN 55G**  
All parts shown in table are included when ordering  
Part No: 55G90R190

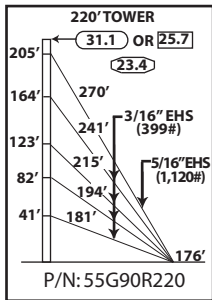


## STANDARD DESIGN - 55G 90MPH REV. G, 70MPH REV. F



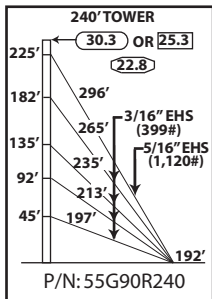
TOWER PARTS INCLUDED	55G	BPC55G	APL55G	GA55GD	FDNS		
	20	1	1	4	BASE	ANCHOR	
GUYS & CONNECTIONS INCLUDED	3/16EHS	142265	BG2142	BG2146	5/16THH	7/16THH	5/8TBE&J
	1800'	800'	18	6	18	6	12
ANCHORS & GROUNDING INCLUDED	GAC5655TOP	AGK1GGX	BGK2GGX	CPC1/1.25	TBSAFETY	3/4x12PP	
	3	1	3	3	3	1	

**200' ROHN 55G**  
All parts shown in table are included when ordering  
Part No: 55G90R200



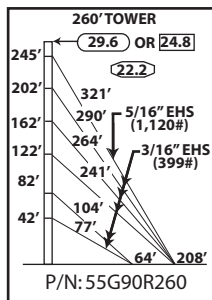
TOWER PARTS INCLUDED	55G	BPC55G	APL55G	GA55GD	FDNS		
	22	1	1	5	BASE	ANCHOR	
GUYS & CONNECTIONS INCLUDED	3/16EHS	142265	BG2142	BG2146	5/16THH	7/16THH	3/4TBE&J
	2650'	875'	24	6	24	6	15
ANCHORS & GROUNDING INCLUDED	GAC5755TOP	AGK1GGX	BGK2GGX	CPC1.5/2	TBSAFETY	3/4x12PP	
	3	1	3	3	3	1	

**220' ROHN 55G**  
All parts shown in table are included when ordering  
Part No: 55G90R220



TOWER PARTS INCLUDED	55G	BPC55G	APL55G	GA55GD	FDNS		
	24	1	1	5	BASE	ANCHOR	
GUYS & CONNECTIONS INCLUDED	3/16EHS	142265	BG2142	BG2146	5/16THH	7/16THH	3/4TBE&J
	2900'	950'	24	6	24	6	15
ANCHORS & GROUNDING INCLUDED	GAC5755TOP	AGK1GGX	BGK2GGX	CPC1.5/2	TBSAFETY	3/4x12PP	
	3	1	3	3	3	1	

**240' ROHN 55G**  
All parts shown in table are included when ordering  
Part No: 55G90R240

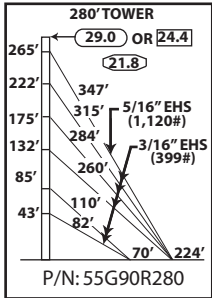


TOWER PARTS INCLUDED	55G	BPC55G	APL55G	GA55GD	BASE	INNER ANCHOR	OUTER ANCHOR
	26	1	1	6	CB3G	AB2	AB3
GUYS & CONNECTIONS INCLUDED	3/16EHS	142265	BG2142	BG2146	5/16THH		
	3125'	1025'	30	6	30		
	7/16THH	1/2TBE&J	5/8TBE&J	CPC.5/.75	CPC1/1.25		
	6	6	12	3	3		
ANCHORS & GROUNDING INCLUDED	GAC3455TOP	GAC5655TOP	AGK1GGX	BGK2GGX	TBSAFETY	3/4x12PP	
	3	3	2	3	6	1	

**260' ROHN 55G**  
All parts shown in table are included when ordering  
Part No: 55G90R260

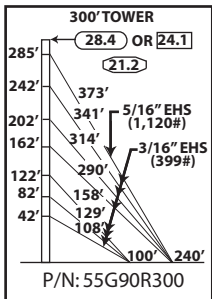


**STANDARD DESIGN - 55G**  
90MPH REV. G, 70MPH REV. F



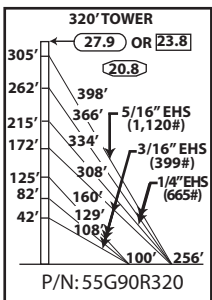
TOWER PARTS INCLUDED	55G	BPC55G	APL55G	GA55GD	BASE	INNER ANCHOR	OUTER ANCHOR
		28	1	1	6	CB4G	AB2
GUYS & CONNECTIONS INCLUDED	3/16EHS	142265	BG2142	BG2146	5/16THH		
	3350	1125'	30	6	30		
	7/16THH	1/2TBE&J	5/8TBE&J	CPC.5/.75	CPC1/1.25		
	6	6	12	3	3		
ANCHORS & GROUNDING INCLUDED	GAC3455TOP	GAC5665TOP	AGK1GGX	BGK2GGX	TBSAFETY	3/4x12PP	
	3	3	2	3	6	1	

**280' ROHN 55G**  
All parts shown in table are included when ordering  
Part No: 55G90R280



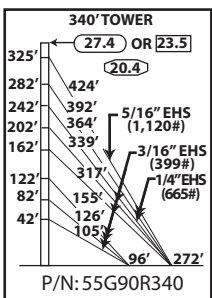
TOWER PARTS INCLUDED	55G	BPC55G	APL55G	GA55GD	BASE	INNER ANCHOR	OUTER ANCHOR
		30	1	1	7	CB4G	AB2
GUYS & CONNECTIONS INCLUDED	3/16EHS	142265	BG2142	BG2146	5/16THH		
	4275'	1200'	36	6	36		
	7/16THH	1/2TBE&J	5/8TBE&J	CPC.5/.75	CPC1/1.25		
	6	9	12	3	3		
ANCHORS & GROUNDING INCLUDED	GAC3455TOP	GAC5665TOP	AGK1GGX	BGK2GGX	TBSAFETY	3/4x12PP	
	3	3	2	3	6	1	

**300' ROHN 55G**  
All parts shown in table are included when ordering  
Part No: 55G90R300



TOWER PARTS INCLUDED	55G	BPC55G	APL55G	GA55GD	BASE	INNER ANCHOR	OUTER ANCHOR
		32	1	1	7	CB4G	AB2
GUYS & CONNECTIONS INCLUDED	3/16EHS	1/4EHS	142265	BG2142	BG2144	BG2146	
	2250'	2250'	1275'	24	12	6	
	5/16THH	3/8THH	7/16THH	1/2TBE&J	5/8TBE&J	TBSAFETY	
	24	12	6	9	12	6	
ANCHORS & GROUNDING INCLUDED	GAC3455TOP	GAC5665TOP	AGK1GGX	BGK2GGX	CPC.5/.75	CPC1/1.25	3/4x12PP
	3	3	2	3	3	3	1

**320' ROHN 55G**  
All parts shown in table are included when ordering  
Part No: 55G90R320



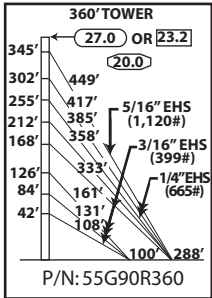
TOWER PARTS INCLUDED	55G	BPC55G	APL55G	GA55GD	BASE	INNER ANCHOR	OUTER ANCHOR
		34	1	1	8	CB4G	AB2
GUYS & CONNECTIONS INCLUDED	3/16EHS	1/4EHS	142265	BG2142	BG2144	BG2146	
	3325'	2425'	1350'	30	12	6	
	5/16THH	3/8THH	7/16THH	1/2TBE&J	5/8TBE&J	TBSAFETY	
	30	12	6	9	15	6	
ANCHORS & GROUNDING INCLUDED	GAC3455TOP	GAC5665TOP	AGK1GGX	BGK2GGX	CPC.5/.75	CPC1/1.25	3/4x12PP
	3	3	2	3	3	3	1

**340' ROHN 55G**  
All parts shown in table are included when ordering  
Part No: 55G90R340



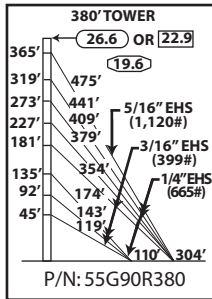


## STANDARD DESIGN - 55G 90MPH REV.G, 70MPH REV. F



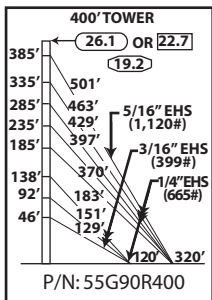
TOWER PARTS INCLUDED	55G	BPC55G	APL55G	GA55GD	APL1258UM	BASE	INNER ANCHOR	OUTER ANCHOR
		36	1	1	8	2	CB5G	AB2
GUYS & CONNECTIONS INCLUDED	3/16EHS	1/4EHS	142265	BG2142	BG2144	BG2146		
	3475'	2575'	1450'	30	12	6		
	5/16THH	3/8THH	7/16THH	1/2TBE&J	5/8TBE&J	TBSAFETY		
	30	12	6	9	15	6		
ANCHORS & GROUNDING INCLUDED	GAC3455TOP	GAC5655TOP	AGK1GGX	BGK2GGX	CPC.5/.75	CPC1/1.25		
	3	3	2	3	3	3		

**360' ROHN 55G**  
All parts shown in table are included when ordering  
Part No: 55G90R360



TOWER PARTS INCLUDED	55G	BPC55G	APL55G	GA55GD	APL1258UM	BASE	INNER ANCHOR	OUTER ANCHOR
		38	1	1	8	2	CB5G	AB2
GUYS & CONNECTIONS INCLUDED	3/16EHS	1/4EHS	142265	BG2142	BG2144	BG2146		
	3175'	3275'	1525'	24	18	6		
	5/16THH	3/8THH	7/16THH	1/2TBE&J	5/8TBE&J	TBSAFETY		
	24	18	6	9	15	6		
ANCHORS & GROUNDING INCLUDED	GAC3455TOP	GAC5655TOP	AGK1GGX	BGK2GGX	CPC.5/.75	CPC1/1.25	3/4x12PP	
	3	3	2	3	3	3	1	

**380' ROHN 55G**  
All parts shown in table are included when ordering  
Part No: 55G90R380



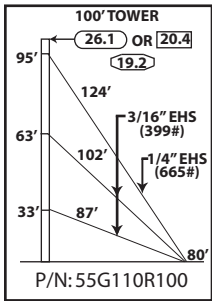
TOWER PARTS INCLUDED	55G	BPC55G	APL55G	GA55GD	APL1258UM	BASE	INNER ANCHOR	OUTER ANCHOR
		40	1	1	8	2	CB5G	AB2
GUYS & CONNECTIONS INCLUDED	3/16EHS	1/4EHS	142265	BG2142	BG2144	BG2146		
	2075'	4700'	1600'	18	24	6		
	5/16THH	3/8THH	7/16THH	1/2TBE&J	5/8TBE&J	TBSAFETY		
	18	24	6	9	15	6		
ANCHORS & GROUNDING INCLUDED	GAC3455TOP	GAC5655TOP	AGK1GGX	BGK2GGX	CPC.5/.75	CPC1/1.25	3/4x12PP	
	3	3	2	3	3	3	1	

**400' ROHN 55G**  
All parts shown in table are included when ordering  
Part No: 55G90R400



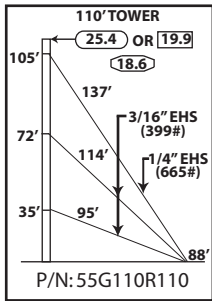
## STANDARD DESIGN - 55G

### 110MPH REV.G, 90MPH REV. F



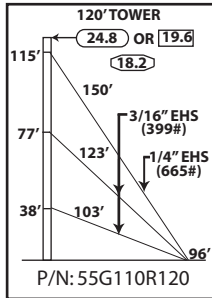
TOWER PARTS INCLUDED	55G	BPC55G	APL55G	GA55GD	FDNS		
					BASE	ANCHOR	
	10	1	1	3	CB1G	AB2	
GUYS & CONNECTIONS INCLUDED	3/16EHS	1/4EHS	BG2142	BG2144	5/16THH	3/8THH	1/2TBE&J
	600'	400'	12	6	12	6	9
ANCHORS & GROUNDING INCLUDED	GAC3455TOP	AGK1GGX	BGK2GGX	CPC.5/.75	TBSAFETY	3/4x12PP	
	3	1	3	3	3	1	

**100' ROHN 55G**  
All parts shown in table are included when ordering  
Part No: 55G110R100



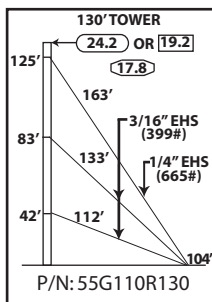
TOWER PARTS INCLUDED	55G	BPC55G	APL55G	GA55GD	FDNS		
					BASE	ANCHOR	
	11	1	1	3	CB1G	AB2	
GUYS & CONNECTIONS INCLUDED	3/16EHS	1/4EHS	BG2142	BG2144	5/16THH	3/8THH	1/2TBE&J
	675'	450'	12	6	12	6	9
ANCHORS & GROUNDING INCLUDED	GAC3455TOP	AGK1GGX	BGK2GGX	CPC.5/.75	TBSAFETY	3/4x12PP	
	3	1	3	3	3	1	

**110' ROHN 55G**  
All parts shown in table are included when ordering  
Part No: 55G110R110



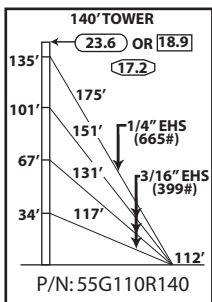
TOWER PARTS INCLUDED	55G	BPC55G	APL55G	GA55GD	FDNS		
					BASE	ANCHOR	
	12	1	1	3	CB2G	AB2	
GUYS & CONNECTIONS INCLUDED	3/16EHS	1/4EHS	BG2142	BG2144	5/16THH	3/8THH	1/2TBE&J
	725'	500'	12	6	12	6	9
ANCHORS & GROUNDING INCLUDED	GAC3455TOP	AGK1GGX	BGK2GGX	CPC.5/.75	TBSAFETY	3/4x12PP	
	3	1	3	3	3	1	

**120' ROHN 55G**  
All parts shown in table are included when ordering  
Part No: 55G110R120



TOWER PARTS INCLUDED	55G	BPC55G	APL55G	GA55GD	FDNS		
					BASE	ANCHOR	
	13	1	1	3	CB2G	AB2	
GUYS & CONNECTIONS INCLUDED	3/16EHS	1/4EHS	BG2142	BG2144	5/16THH	3/8THH	1/2TBE&J
	800'	525'	12	6	12	6	9
ANCHORS & GROUNDING INCLUDED	GAC3455TOP	AGK1GGX	BGK2GGX	CPC.5/.75	TBSAFETY	3/4x12PP	
	3	1	3	3	3	1	

**130' ROHN 55G**  
All parts shown in table are included when ordering  
Part No: 55G110R130



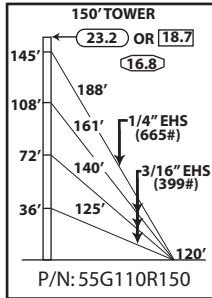
TOWER PARTS INCLUDED	55G	BPC55G	APL55G	GA55GD	FDNS		
					BASE	ANCHOR	
	14	1	1	4	CB2G	AB2	
GUYS & CONNECTIONS INCLUDED	3/16EHS	1/4EHS	BG2142	BG2144	5/16THH	3/8THH	1/2TBE&J
	1275'	575'	18	6	18	6	12
ANCHORS & GROUNDING INCLUDED	GAC3455TOP	AGK1GGX	BGK2GGX	CPC.5/.75	TBSAFETY	3/4x12PP	
	3	1	3	3	3	1	

**140' ROHN 55G**  
All parts shown in table are included when ordering  
Part No: 55G110R140



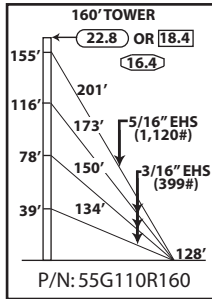
## STANDARD DESIGN - 55G

### 110MPH REV.G, 90MPH REV. F



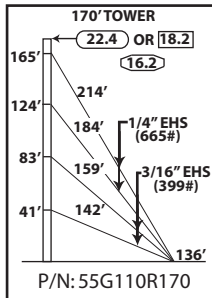
TOWER PARTS INCLUDED	55G	BPC55G	APL55G	GA55GD	FDNS		
					BASE	ANCHOR	
	15	1	1	4	CB2G	AB3	
GUYS & CONNECTIONS INCLUDED	3/16EHS	1/4EHS	BG2142	BG2144	5/16THH	3/8THH	5/8TBE&J
	1375'	600'	18	6	18	6	12
ANCHORS & GROUNDING INCLUDED	GAC5655TOP	AGK1GGX	BGK2GGX	CPC1/1.25	TBSAFETY	3/4x12PP	
	3	1	3	3	3	1	

**150' ROHN 55G**  
All parts shown in table are included when ordering  
Part No: 55G110R150



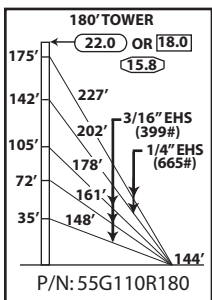
TOWER PARTS INCLUDED	55G	BPC55G	APL55G	GA55GD	FDNS		
					BASE	ANCHOR	
	16	1	1	4	CB2G	AB3	
GUYS & CONNECTIONS INCLUDED	3/16EHS	142265	BG2142	BG2146	5/16THH	7/16THH	5/8TBE&J
	1475'	650'	18	6	18	6	12
ANCHORS & GROUNDING INCLUDED	GAC5655TOP	AGK1GGX	BGK2GGX	CPC1/1.25	TBSAFETY	3/4x12PP	
	3	1	3	3	3	1	

**160' ROHN 55G**  
All parts shown in table are included when ordering  
Part No: 55G110R160



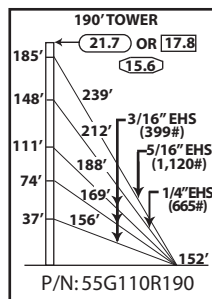
TOWER PARTS INCLUDED	55G	BPC55G	APL55G	GA55GD	FDNS		
					BASE	ANCHOR	
	17	1	1	4	CB2G	AB3	
GUYS & CONNECTIONS INCLUDED	3/16EHS	1/4EHS	BG2142	BG2144	5/16THH	3/8THH	5/8TBE&J
	975'	1275'	12	12	12	12	12
ANCHORS & GROUNDING INCLUDED	GAC5655TOP	AGK1GGX	BGK2GGX	CPC1/1.25	TBSAFETY	3/4x12PP	
	3	1	3	3	3	1	

**170' ROHN 55G**  
All parts shown in table are included when ordering  
Part No: 55G110R170



TOWER PARTS INCLUDED	55G	BPC55G	APL55G	GA55GD	FDNS		
					BASE	ANCHOR	
	18	1	1	5	CB3G	AB3	
GUYS & CONNECTIONS INCLUDED	3/16EHS	1/4EHS	BG2142	BG2144	5/16THH	3/8THH	5/8TBE&J
	1550'	1375'	18	12	18	12	15
ANCHORS & GROUNDING INCLUDED	GAC5655TOP	AGK1GGX	BGK2GGX	CPC1/1.25	TBSAFETY	3/4x12PP	
	3	1	3	3	3	1	

**180' ROHN 55G**  
All parts shown in table are included when ordering  
Part No: 55G110R180



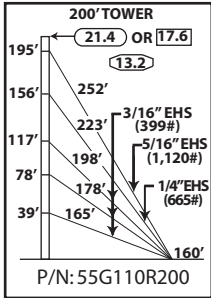
TOWER PARTS INCLUDED	55G	BPC55G	APL55G	GA55GD	FDNS	
					BASE	ANCHOR
	19	1	1	5	CB3G	AB3
GUYS & CONNECTIONS INCLUDED	3/16EHS	1/4EHS	142265	BG2142	BG2144	
	1650'	675'	775'	18	6	
	BG2146	5/16THH	3/8THH	7/16THH	5/8TBE&J	
	6	18	6	6	15	
ANCHORS & GROUNDING INCLUDED	GAC5655TOP	AGK1GGX	BGK2GGX	CPC1/1.25	TBSAFETY	3/4x12PP
	3	1	3	3	3	1

**190' ROHN 55G**  
All parts shown in table are included when ordering  
Part No: 55G110R190



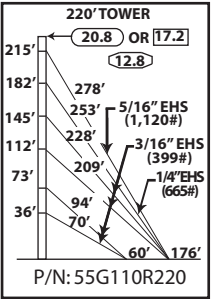
## STANDARD DESIGN - 55G

### 110MPH REV.G, 90MPH REV. F



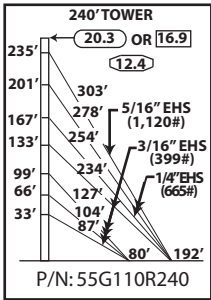
TOWER PARTS INCLUDED	55G	BPC55G	APL55G	GA55GD	FDNS	
					BASE	ANCHOR
	20	1	1	5	CB3G	AB3
GUYS & CONNECTIONS INCLUDED	3/16EHS	1/4EHS	142265	BG2142	BG2144	
	1750'	725'	825'	18	6	
	BG2146	5/16THH	3/8THH	7/16THH	5/8TBE&J	
	6	18	6	6	15	
ANCHORS & GROUNDING INCLUDED	GAC5655TOP	AGK1GGX	BGK2GGX	CPC1/1.25	TBSAFETY	3/4x12PP
	3	1	3	3	3	1

**200' ROHN 55G**  
All parts shown in table are included when ordering  
Part No: 55G110R200



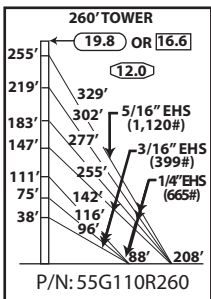
TOWER PARTS INCLUDED	55G	BPC55G	APL55G	GA55GD	BASE	INNER ANCHOR	OUTER ANCHOR
					CB4G	AB2	AB3
	22	1	1	6	CB4G	AB2	AB3
GUYS & CONNECTIONS INCLUDED	3/16EHS	1/4EHS	142265	BG2142	BG2144	BG2146	
	1925'	825'	900'	24	6	6	
	5/16THH	3/8THH	7/16THH	1/2TBE&J	5/8TBE&J	TBSAFETY	
	24	6	6	6	12	6	
ANCHORS & GROUNDING INCLUDED	GAC3455TOP	GAC5655TOP	AGK1GGX	BGK2GGX	CPC.5/.75	CPC1/1.25	3/4x12PP
	3	3	2	3	3	3	1

**220' ROHN 55G**  
All parts shown in table are included when ordering  
Part No: 55G110R220



TOWER PARTS INCLUDED	55G	BPC55G	APL55G	GA55GD	BASE	INNER ANCHOR	OUTER ANCHOR
					CB4G	AB2	AB3
	24	1	1	7	CB4G	AB2	AB3
GUYS & CONNECTIONS INCLUDED	3/16EHS	1/4EHS	142265	BG2142	BG2144	BG2146	
	1775'	1700'	975'	24	12	6	
	5/16THH	3/8THH	7/16THH	1/2TBE&J	5/8TBE&J	TBSAFETY	
	24	12	6	9	12	6	
ANCHORS & GROUNDING INCLUDED	GAC3455TOP	GAC5655TOP	AGK1GGX	BGK2GGX	CPC.5/.75	CPC1/1.25	3/4x12PP
	3	3	2	3	3	3	1

**240' ROHN 55G**  
All parts shown in table are included when ordering  
Part No: 55G110R240



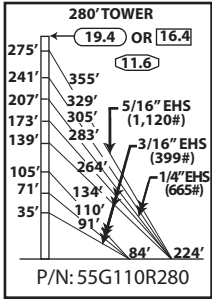
TOWER PARTS INCLUDED	55G	BPC55G	APL55G	GA55GD	BASE	INNER ANCHOR	OUTER ANCHOR
					CB5G	AB2	AB3
	26	1	1	7	CB5G	AB2	AB3
GUYS & CONNECTIONS INCLUDED	3/16EHS	1/4EHS	142265	BG2142	BG2144	BG2146	
	1500'	2300'	1050'	18	18	6	
	5/16THH	3/8THH	7/16THH	1/2TBE&J	5/8TBE&J	TBSAFETY	
	18	18	6	9	12	6	
ANCHORS & GROUNDING INCLUDED	GAC3455TOP	GAC5655TOP	AGK1GGX	BGK2GGX	CPC.5/.75	CPC1/1.25	3/4x12PP
	3	3	2	3	3	3	1

**260' ROHN 55G**  
All parts shown in table are included when ordering  
Part No: 55G110R260

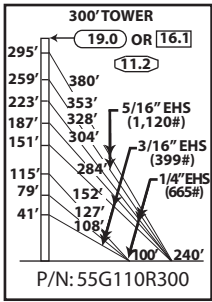


## STANDARD DESIGN - 55G

### 110MPH REV.G, 90MPH REV. F



TOWER PARTS INCLUDED	55G	BPC55G	APL55G	GA55GD	BASE	INNER ANCHOR	OUTER ANCHOR	
		28	1	1	8	CB5G	AB2	
GUYS & CONNECTIONS INCLUDED	3/16EHS	1/4EHS	142265	BG2142	BG2144		BG2146	<b>280' ROHN 55G</b> All parts shown in table are included when ordering Part No: 55G110R280
	2825'	2025'	1150'	30	12		6	
	5/16THH	3/8THH	7/16THH	1/2TBE&J	5/8TBE&J		TBSAFETY	
ANCHORS & GROUNDING INCLUDED	30	12	6	9	15		6	
	GAC3455TOP	GAC5655TOP	AGK1GGX	BGK2GGX	CPC.5/.75		CPC1/1.25	3/4x12PP
	3	3	2	3	3		3	1

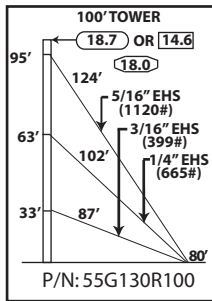


TOWER PARTS INCLUDED	55G	BPC55G	APL55G	GA55GD	BASE	INNER ANCHOR	OUTER ANCHOR	
		30	1	1	8	CB5G	AB2	
GUYS & CONNECTIONS INCLUDED	3/16EHS	1/4EHS	142265	BG2142	BG2144		BG2146	<b>300' ROHN 55G</b> All parts shown in table are included when ordering Part No: 55G110R300
	1675'	2500'	2350'	18	18		12	
	5/16THH	3/8THH	7/16THH	1/2TBE&J	5/8TBE&J		TBSAFETY	
ANCHORS & GROUNDING INCLUDED	18	18	12	9	15		6	
	GAC3455TOP	GAC5655TOP	AGK1GGX	BGK2GGX	CPC.5/.75		CPC1/1.25	3/4x12PP
	3	3	2	3	3		3	1



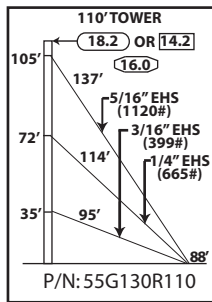
## STANDARD DESIGN - 55G

### 130MPH REV.G, 110MPH REV. F



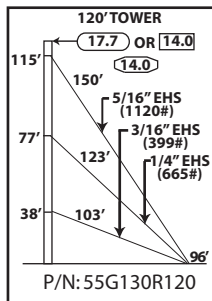
TOWER PARTS INCLUDED	55G	BPC55G	APL55G	GA55GD	FDNS	
					BASE	ANCHOR
	10	1	1	3	CB2G	AB2
GUYS & CONNECTIONS INCLUDED	3/16EHS	1/4EHS	142265	BG2142	BG2144	
	300'	325'	400'	6	6	
	BG2146	5/16THH	3/8THH	7/16THH	1/2TBE&J	5/8TBE&J
	6	6	6	6	6	3
ANCHORS & GROUNDING INCLUDED	GAC3/55TOP	AGK1GGX	BGK2GGX	CPC.5/75	TBSAFETY	3/4x12PP
	3	1	3	3	3	1

**100' ROHN 55G**  
All parts shown in table are included when ordering  
Part No: 55G130R100



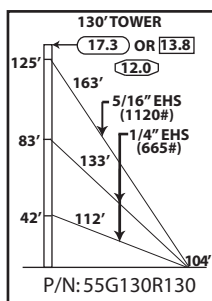
TOWER PARTS INCLUDED	55G	BPC55G	APL55G	GA55GD	FDNS	
					BASE	ANCHOR
	11	1	1	3	CB2G	AB3
GUYS & CONNECTIONS INCLUDED	3/16EHS	1/4EHS	142265	BG2142	BG2144	
	325'	375'	450'	6	6	
	BG2146	5/16THH	3/8THH	7/16THH	5/8TBE&J	
	6	6	6	6	9	
ANCHORS & GROUNDING INCLUDED	GAC5/55TOP	AGK1GGX	BGK2GGX	CPC1/1.25	TBSAFETY	3/4x12PP
	3	1	3	3	3	1

**110' ROHN 55G**  
All parts shown in table are included when ordering  
Part No: 55G130R110



TOWER PARTS INCLUDED	55G	BPC55G	APL55G	GA55GD	FDNS	
					BASE	ANCHOR
	12	1	1	3	CB2G	AB3
GUYS & CONNECTIONS INCLUDED	3/16EHS	1/4EHS	142265	BG2142	BG2144	
	350'	400'	500'	6	6	
	BG2146	5/16THH	3/8THH	7/16THH	5/8TBE&J	
	6	6	6	6	9	
ANCHORS & GROUNDING INCLUDED	GAC5/55TOP	AGK1GGX	BGK2GGX	CPC1/1.25	TBSAFETY	3/4x12PP
	3	1	3	3	3	1

**120' ROHN 55G**  
All parts shown in table are included when ordering  
Part No: 55G130R120

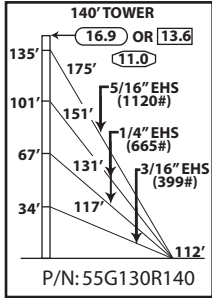


TOWER PARTS INCLUDED	55G	BPC55G	APL55G	GA55GD	FDNS	
					BASE	ANCHOR
	13	1	1	3	CB2G	AB3
GUYS & CONNECTIONS INCLUDED	1/4EHS	142265	BG2144	BG2146		
	800'	525'	12	6		
	3/8THH	7/16THH	5/8TBE&J	TBSAFETY		
	12	6	9	3		
ANCHORS & GROUNDING INCLUDED	GAC5/55TOP	AGK1GGX	BGK2GGX	CPC1/1.25	3/4x12PP	
	3	1	3	3	1	

**130' ROHN 55G**  
All parts shown in table are included when ordering  
Part No: 55G130R130

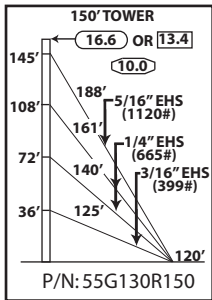


## STANDARD DESIGN - 55G 130MPH REV.G, 110MPH REV. F



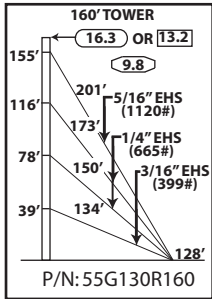
TOWER PARTS INCLUDED	55G	BPC55G	APL55G	GA55GD	FDNS	
					BASE	ANCHOR
	14	1	1	4	CB3G	AB3
GUYS & CONNECTIONS INCLUDED	3/16EHS	1/4EHS	142265	BG2142	BG2144	
	375'	900'	575'	6	12	
	BG2146	5/16THH	3/8THH	7/16THH	5/8TBE&J	
	6	6	12	6	3	
ANCHORS & GROUNDING INCLUDED	GAC565TOP	AGK1GGX	BGK2GGX	CPC1/1.25	TBSAFETY	3/4x12PP
	3	1	3	3	3	1

**140' ROHN 55G**  
All parts shown in table are included when ordering  
Part No: 55G130R140



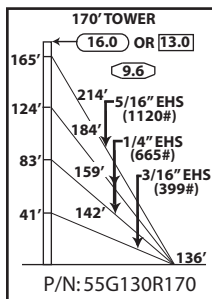
TOWER PARTS INCLUDED	55G	BPC55G	APL55G	GA55GD	FDNS	
					BASE	ANCHOR
	15	1	1	4	CB3G	AB3
GUYS & CONNECTIONS INCLUDED	3/16EHS	1/4EHS	142265	BG2142	BG2144	
	400'	975'	600'	6	12	
	BG2146	5/16THH	3/8THH	7/16THH	5/8TBE&J	
	6	6	12	6	3	
ANCHORS & GROUNDING INCLUDED	GAC565TOP	AGK1GGX	BGK2GGX	CPC1/1.25	TBSAFETY	3/4x12PP
	3	1	3	3	3	1

**150' ROHN 55G**  
All parts shown in table are included when ordering  
Part No: 55G130R150



TOWER PARTS INCLUDED	55G	BPC55G	APL55G	GA55GD	FDNS	
					BASE	ANCHOR
	16	1	1	4	CB3G	AB3
GUYS & CONNECTIONS INCLUDED	3/16EHS	1/4EHS	142265	BG2142	BG2144	
	450'	1050'	650'	6	12	
	BG2146	5/16THH	3/8THH	7/16THH	5/8TBE&J	
	6	6	12	6	12	
ANCHORS & GROUNDING INCLUDED	GAC565TOP	AGK1GGX	BGK2GGX	CPC1/1.25	TBSAFETY	3/4x12PP
	3	1	3	3	3	1

**160' ROHN 55G**  
All parts shown in table are included when ordering  
Part No: 55G130R160

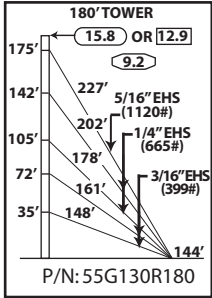


TOWER PARTS INCLUDED	55G	BPC55G	APL55G	GA55GD	FDNS	
					BASE	ANCHOR
	17	1	1	4	CB3G	AB4
GUYS & CONNECTIONS INCLUDED	3/16EHS	1/4EHS	142265	BG2142	BG2144	
	475'	1100'	700'	6	12	
	BG2146	5/16THH	3/8THH	7/16THH	3/4TBE&J	
	6	6	12	6	12	
ANCHORS & GROUNDING INCLUDED	GAC575TOP	AGK1GGX	BGK2GGX	CPC1.5/2	TBSAFETY	3/4x12PP
	3	1	3	3	3	1

**170' ROHN 55G**  
All parts shown in table are included when ordering  
Part No: 55G130R170

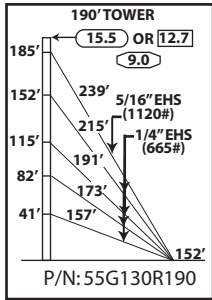


**STANDARD DESIGN - 55G**  
130MPH REV.G, 110MPH REV. F



TOWER PARTS INCLUDED	55G	BPC55G	APL55G	GA55GD	FDNS	
					BASE	ANCHOR
	18	1	1	5	CB3G	AB4
GUYS & CONNECTIONS INCLUDED	3/16EHS	1/4EHS	142265	BG2142	BG2144	
	1000'	1225'	725'	12	12	
	BG2146	5/16THH	3/8THH	7/16THH	3/4TBE&J	
	6	12	12	6	15	
ANCHORS & GROUNDING INCLUDED	GAC5755TOP	AGK1GGX	BGK2GGX	CPC1.5/2	TBSAFETY	3/4x12PP
	3	1	3	3	3	1

**180' ROHN 55G**  
All parts shown in table are included when ordering  
Part No: 55G130R180



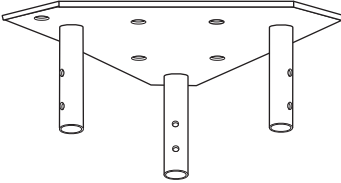
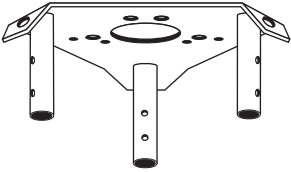
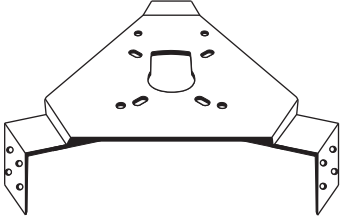
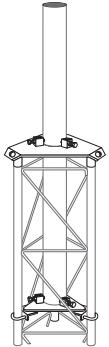

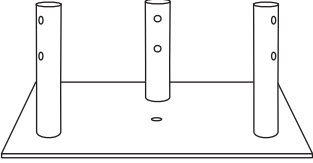


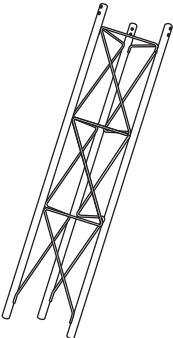
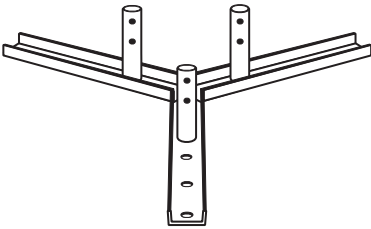
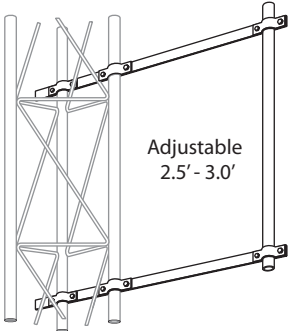
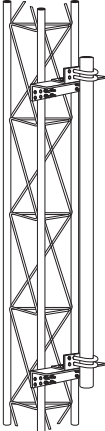
TOWER PARTS INCLUDED	55G	BPC55G	APL55G	GA55GD	FDNS	
					BASE	ANCHOR
	19	1	1	5	CB4G	AB4
GUYS & CONNECTIONS INCLUDED	1/4EHS	142265	BG2144	BG2146		
	2350'	775'	24	6		
	3/8THH	7/16THH	3/4TBE&J	TBSAFETY		
	24	6	15	3		
ANCHORS & GROUNDING INCLUDED	GAC5755TOP	AGK1GGX	BGK2GGX	CPC1.5/2	3/4x12PP	
	3	1	3	3	1	

**190' ROHN 55G**  
All parts shown in table are included when ordering  
Part No: 55G130R190





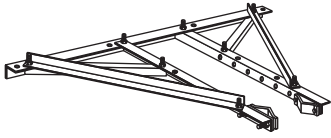
**PARTS & ACCESSORIES**

 <p><b>TOP PLATE</b> APL55G FOR MOUNTING BEACON OR LIGHTNING ROD.</p>	 <p><b>BEARING PLATE</b> BPL55G CONVERTS STANDARD SECTION TO A TOP SECTION. HOLE PATTERN FITS TB3 (2" O.D.) AND TB4 (3" O.D.) THRUST BEARING.</p>	 <p><b>ACCESSORY SHELF</b> AS455G FOR MOUNTING MANY POPULAR ROTORS. FIELD DRILLING MAY BE NECESSARY FOR SOME ROTORS.</p>	 <p><b>TOP MOUNT</b> 55TDMKD - NO MAST 55TDM253KD - 2 3/8" O.D. MAST 55TDM2553KD - 2 7/8" O.D. MAST 55TDM353KD - 3 1/2" O.D. MAST 55TDM3553KD - 4" O.D. MAST 55TDM453KD - 4 1/2" O.D. MAST MOUNTING TUBE PROVIDED IS 7'.</p>
 <p><b>LIGHTNING ROD</b> LRCL 5' COPPER CLAD, MOUNTS TO APL55G.</p>	 <p><b>CONCRETE BASE PLATE</b> BPC55G* FOR USE WITH 3/4X12PP PIER PIN EMBEDDED IN CONCRETE. CONCRETE BASE PLATE IS TO BE USED FOR BRACKETED AND GUYED APPLICATIONS ONLY.</p>	 <p><b>PIER PIN</b> 3/4X12PP FOR USE WITH BPC55G EMBEDDED IN CONCRETE. PIER PIN MUST BE ORDERED SEPARATELY, UNLESS BEING PURCHASED AS PART OF A COMPLETE TOWER KIT.</p>	 <p><b>TAPERED BASE*</b> 55TG - STANDARD 55TGIA - USE WITH A4197L BASE INSULATOR 55TGIAA - USE WITH A4722B BASE INSULATOR INSULATOR AND PIER PIN MUST BE ORDERED SEPARATELY.</p>
 <p><b>5' SHORT BASE</b> SB55G FOR EMBEDMENT IN CONCRETE.</p>	 <p><b>FLAT ROOF MOUNT</b> FR55G* BOLTS DIRECTLY TO FLAT ROOF SURFACE.</p>	 <p><b>SIDE ARM BRACKET</b> SA253UA MOUNTING TUBE PROVIDED IS 3' LONG, 2 - 1/4" O.D. Adjustable 2.5' - 3.0'</p>	 <p><b>FACE MOUNT</b> DM55G2 - 2 3/8" O.D. 5' LONG DM554 - 4 1/2" O.D. 5' LONG</p>

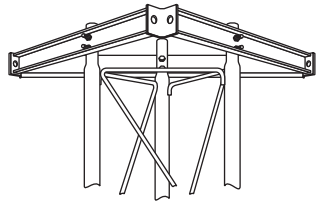
\* TOWERS MOUNTED ON THESE BASES MUST BE BRACKETED OR GUYED AT ALL TIMES. TEMPORARY STEEL GUYING MAY ALSO BE NECESSARY DURING INSTALLATION AND DISMANTLING.



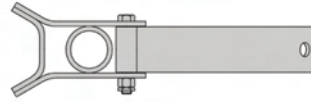
PARTS & ACCESSORIES



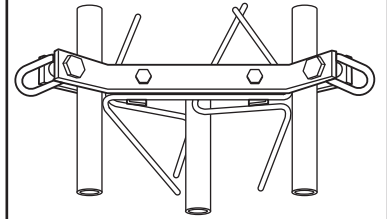
**HEAVY DUTY UNIVERSAL HOUSE BRACKET**  
HBUTVRO  
ADJUSTABLE TO POSITION TOWER 18" - 36" FROM WALL.



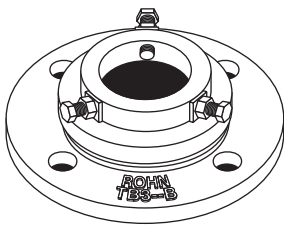
**TORQUE ARM STABILIZER ASSEMBLY**  
TA55  
ANTI-TWIST DEVICE LOCATED IN THE AREA OF ANTENNAS. PROVIDES SIX-WAY GUYING. BOLTS TO TOWER AT ANY SECTION JOINT. ATTACHED WITH JOINT BOLTS. MUST BE INSTALLED AS SECTIONS ARE JOINED TOGETHER.



**TORQUE BAR**  
TB55D  
OPTIONAL, FOR USE WITH GA55GD. REQUIRES (1) 3/8" SHACKLE FOR EACH BAR.



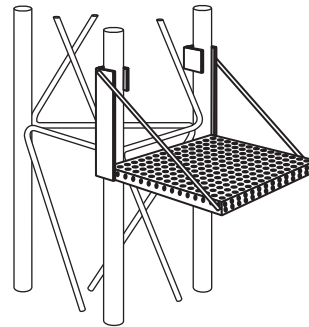
**GUY BRACKET**  
GA55GD  
MOUNTS TO TOWER AT ANY HORIZONTAL BRACE.



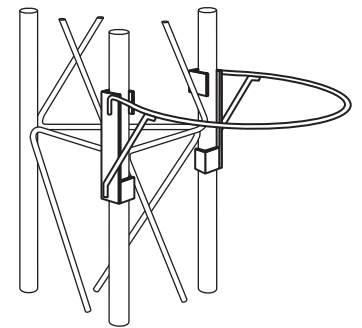
**THRUST BEARING**  
TB3 - SUPPORTS UP TO 2" O.D. MAST.  
TB4 - SUPPORTS UP TO 3" O.D. MAST.  
MOUNTS TO BPL55G.



**ANTI-CLIMB PANELS**  
455ACL3  
THREE ANTI-CLIMB PANELS BOLT TO STANDARD TOWER SECTION.



**WORK PLATFORM**  
WP55G  
SNAPS INTO PLACE AT ANY LEVEL. NO BOLTS REQUIRED.



**SAFETY RING**  
SR55  
SNAPS INTO PLACE AT ANY LEVEL. NO BOLTS REQUIRED.



**CLIMBING HARNESS**  
TTFBH-4D  
JOURNEYMAN HARNESS  
TTFBH-C/P  
PROFESSIONAL HARNESS



**SAFETY CABLE SLIDER WITH CARABINEER**  
TT-WG-500-W/SMC

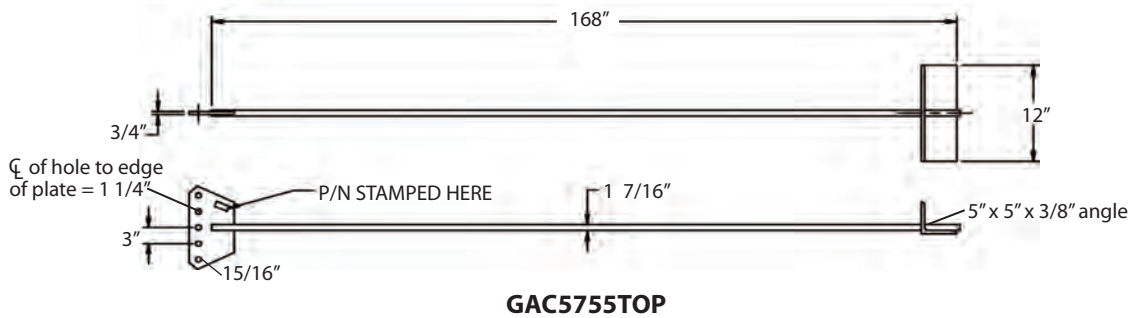
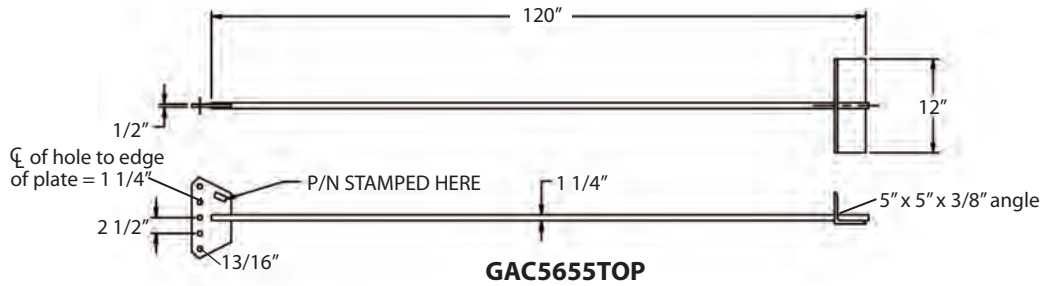
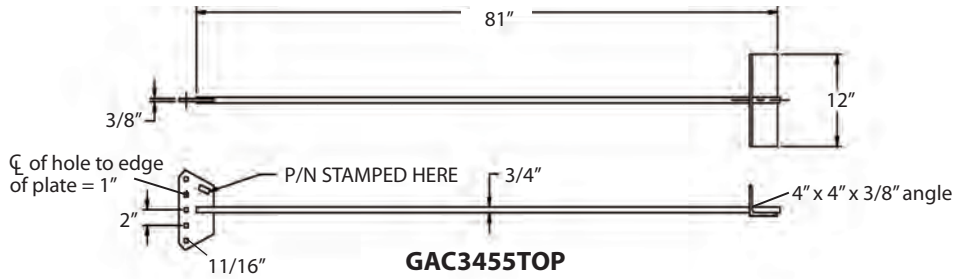
**SAFETY CABLE SYSTEM ORDERING INFORMATION**

TOWER HEIGHT	PART NUMBER
50'	TT0504555
100'	TT1004555
150'	TT1504555
200'	TT2004555
250'	TT2504555
300'	TT3004555
350'	TT3504555
400'	TT4004555

SAFETY CABLE SLIDER AND CLIMBING HARNESS MUST BE ORDERED SEPARATELY.

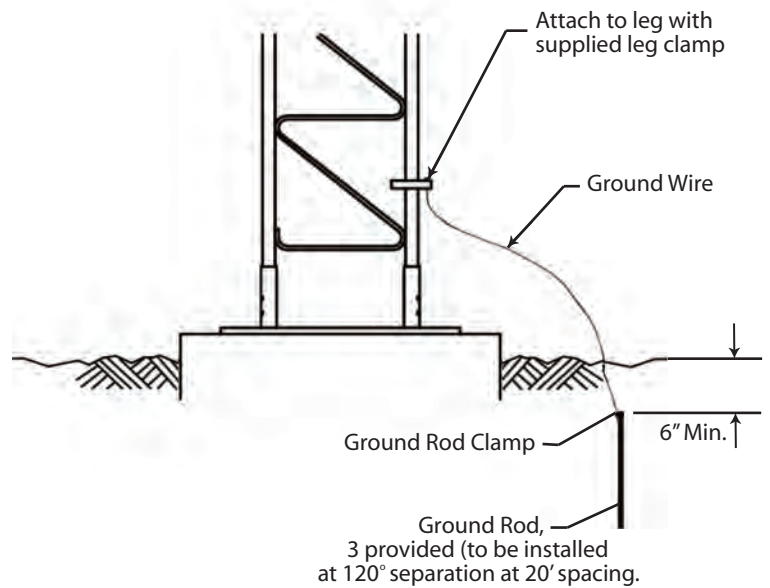
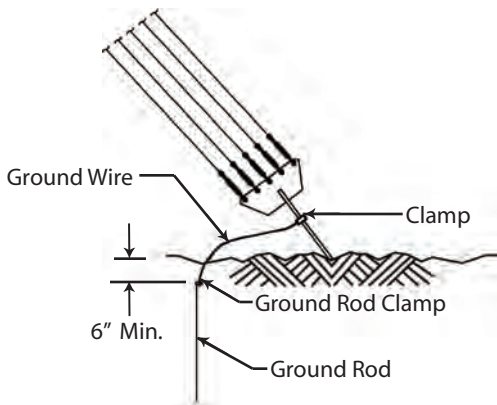


### ANCHOR INFORMATION

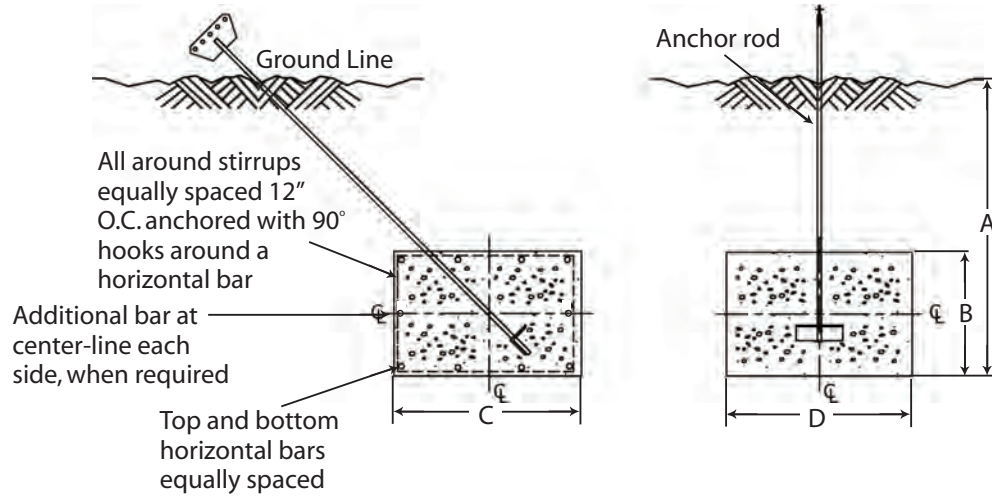


**REV G**  
**ANCHOR GROUNDING**  
**AGK1GGX**

**REV G**  
**BASE GROUNDING**  
**BGK2GGX**



## STANDARD ANCHOR BLOCKS

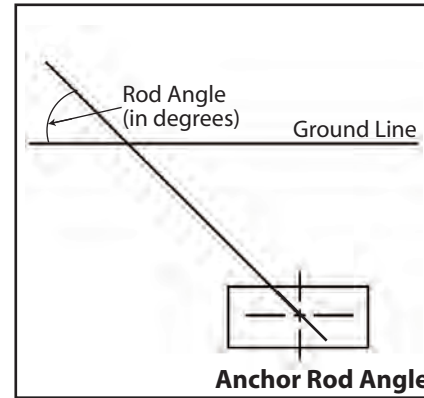
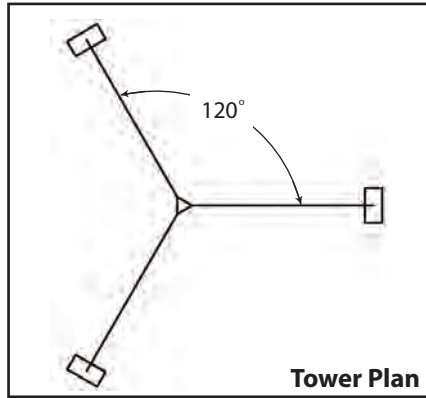


**Refer to page 119 for anchor rod installation angles.**

Block	Anchor Dimensions (in.)				Horizontal Bars (Qty. & Size)	Stirrup Size & Spacing	Concrete Vol. (Cu. Yds.)
	A	B	C	D			
AB2	4' - 0"	1' - 6"	4' - 0"	6' - 0"	(5) #6 Bars, Top Layer (5) #6 Bars, Bottom Layer (0) Additional Bar, Each Side	#3 @ 12" O.C.	1.33 Per Block 4.0 Total for 3
AB3	6' - 0"	1' - 6"	3' - 0"	6' - 0"	(4) #6 Bars, Top Layer (4) #6 Bars, Bottom Layer (0) Additional Bar, Each Side	#3 @ 12" O.C.	1.0 Per Block 3.0 Total for 3
AB4	6' - 0"	1' - 6"	4' - 0"	9' - 0"	(5) #6 Bars, Top Layer (5) #6 Bars, Bottom Layer (0) Additional Bar, Each Side	#4 @ 12" O.C.	2.0 Per Block 6.0 Total for 3
AB5	8' - 0"	2' - 0"	3' - 0"	10' - 0"	(4) #7 Bars, Top Layer (4) #7 Bars, Bottom Layer (1) Additional Bar, Each Side	#4 @ 12" O.C.	2.22 Per Block 6.7 Total for 3
AB6	8' - 0"	2' - 0"	4' - 0"	10' - 0"	(5) #7 Bars, Top Layer (5) #7 Bars, Bottom Layer (1) Additional Bar, Each Side	#4 @ 12" O.C.	2.96 Per Block 8.9 Total for 3



## ANCHOR ROD INSTALLATION ANGLES



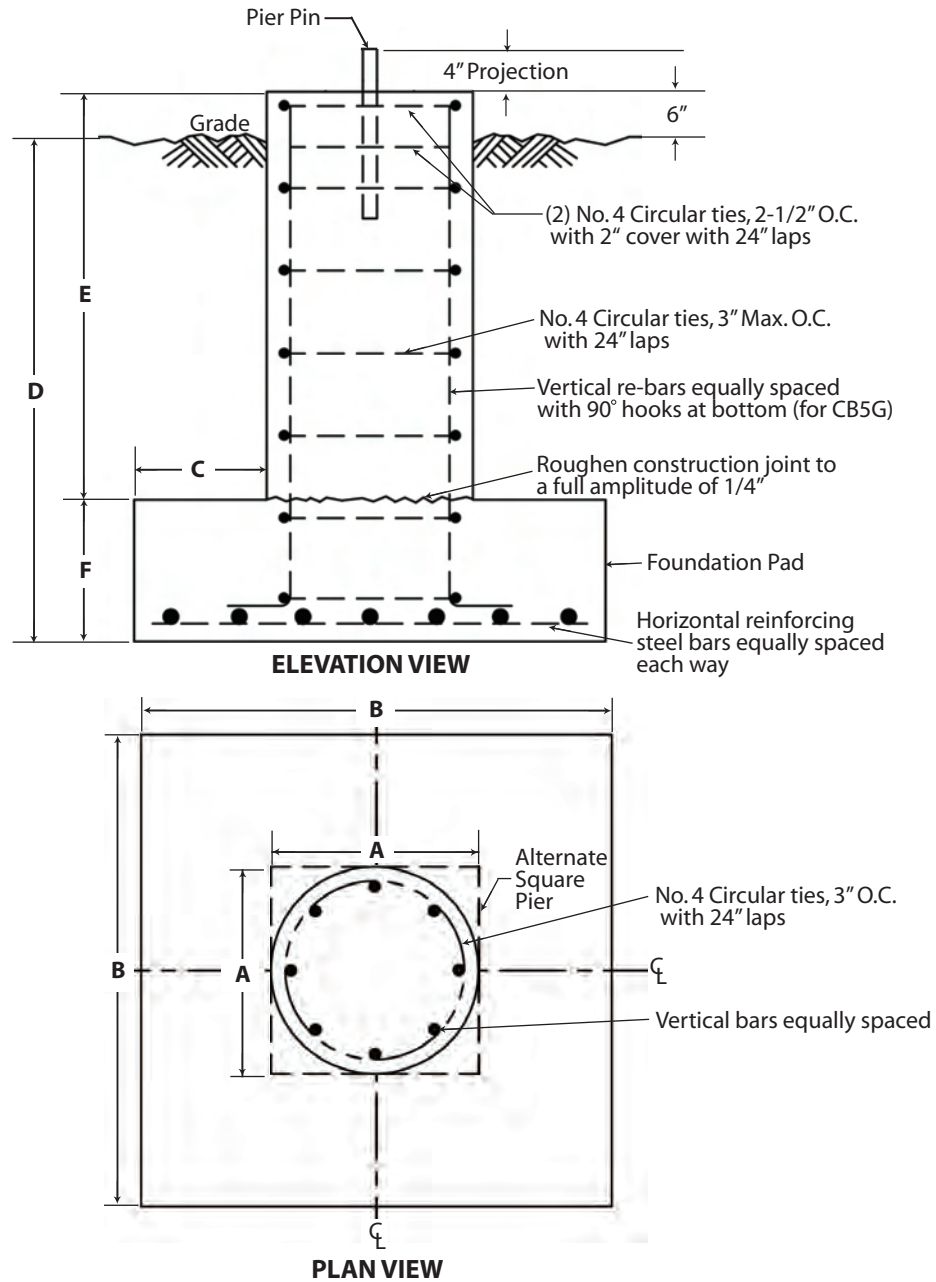
55G   90MPH				
Tower Height	Inner Rod Number	Inner Rod Angle	Outer Rod Number	Outer Rod Angle
100'	GAC3455TOP	42	-	-
110'	GAC3455TOP	42	-	-
120'	GAC3455TOP	40	-	-
130'	GAC3455TOP	40	-	-
140'	GAC3455TOP	40	-	-
150'	GAC3455TOP	39	-	-
160'	GAC3455TOP	39	-	-
170'	GAC3455TOP	38	-	-
180'	GAC3455TOP	38	-	-
190'	GAC5655TOP	40	-	-
200'	GAC5655TOP	40	-	-
220'	GAC5755TOP	38	-	-
240'	GAC5755TOP	37	-	-
260'	GAC3455TOP	43	GAC5655TOP	42
280'	GAC3455TOP	42	GAC5655TOP	42
300'	GAC3455TOP	39	GAC5655TOP	43
320'	GAC3455TOP	40	GAC5655TOP	43
340'	GAC3455TOP	40	GAC5655TOP	42
360'	GAC3455TOP	40	GAC5655TOP	42
380'	GAC3455TOP	40	GAC5655TOP	42
400'	GAC3455TOP	38	GAC5655TOP	42

55G   110MPH				
Tower Height	Inner Rod Number	Inner Rod Angle	Outer Rod Number	Outer Rod Angle
100'	GAC3455TOP	41	-	-
110'	GAC3455TOP	40	-	-
120'	GAC3455TOP	40	-	-
130'	GAC3455TOP	40	-	-
140'	GAC3455TOP	38	-	-
150'	GAC5655TOP	38	-	-
160'	GAC5655TOP	39	-	-
170'	GAC5655TOP	38	-	-
180'	GAC5655TOP	38	-	-
190'	GAC5655TOP	38	-	-
200'	GAC5655TOP	38	-	-
220'	GAC3455TOP	42	GAC5655TOP	43
240'	GAC3455TOP	40	GAC5655TOP	44
260'	GAC3455TOP	41	GAC5655TOP	44
280'	GAC3455TOP	40	GAC5655TOP	43
300'	GAC3455TOP	39	GAC5655TOP	43

55G   130MPH		
Tower Height	Rod Number	Rod Angle
100'	GAC3455TOP	41
110'	GAC5655TOP	40
120'	GAC5655TOP	40
130'	GAC5655TOP	40
140'	GAC5655TOP	40
150'	GAC5655TOP	40
160'	GAC5655TOP	40
170'	GAC5755TOP	38
180'	GAC5755TOP	38
190'	GAC5755TOP	37



### STANDARD BASE PIERS



Base	A	B	C	D	E	F	Concrete Vol. (Cu. Yds.) Round Pier	Vertical Bars (No. & Size)	Horiz. Bars in Pad (No. & Size)
CB1G*	2' - 6"	2' - 6"	N/A	4' - 0"	N/A	N/A	1.0	(8) #7	NONE
CB2G	3' - 0"	3' - 0"	N/A	4' - 0"	N/A	N/A	1.2	(10) #7	NONE
CB3G	3' - 6"	3' - 6"	N/A	4' - 0"	N/A	N/A	1.6	(12) #7	NONE
CB4G	4' - 0"	4' - 0"	N/A	4' - 0"	N/A	N/A	2.1	(12) #8	NONE
CB5G	2' - 0"	4' - 0"	1' - 0"	4' - 0"	3' - 3"	1' - 3"	1.1	(8) #6	(5) #5 (Total of 10)

\* Square pier option must be used for CB1G.