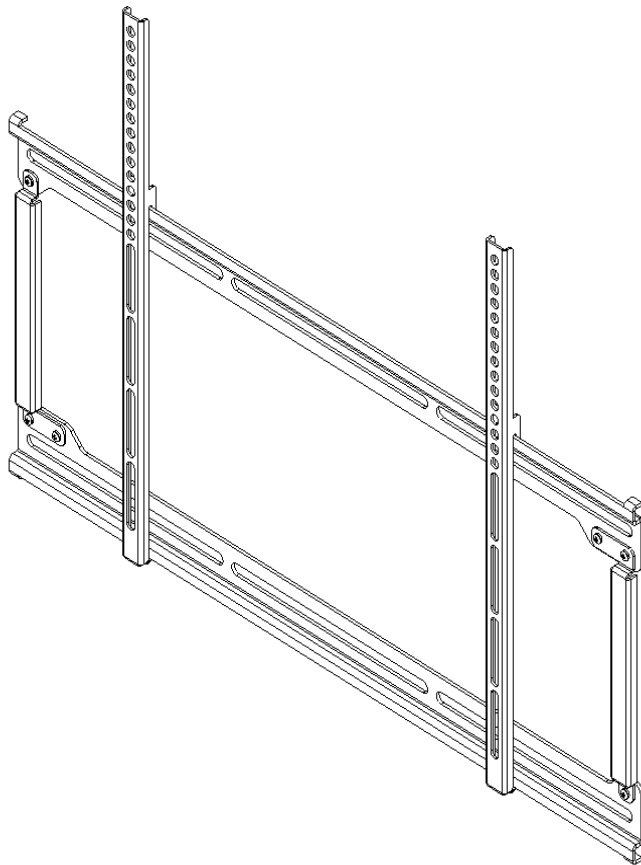


WMP

VIDEO MOUNT PRODUCTS

Instruction Sheet For:

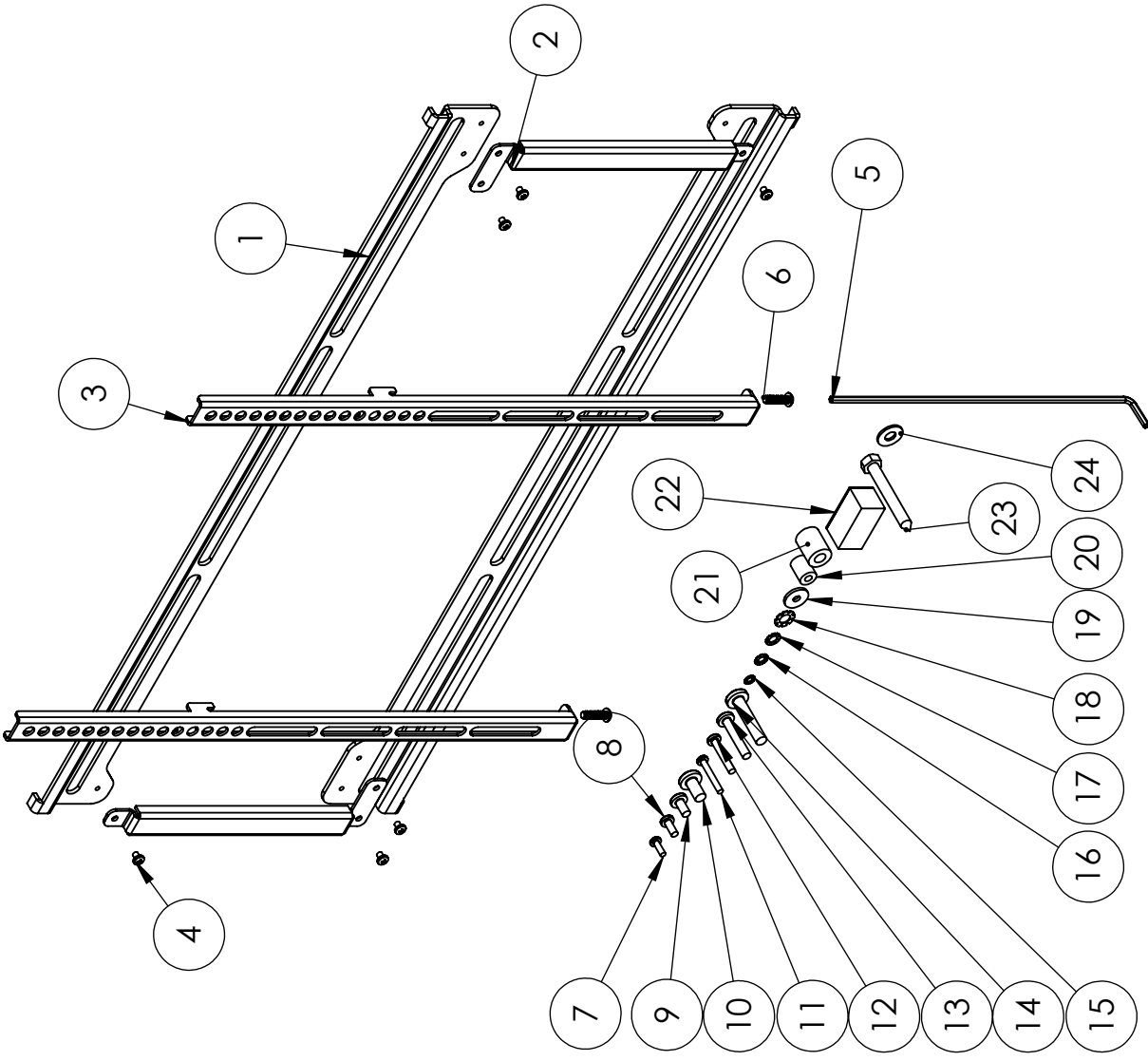
FP-XMF & FP-XMFB

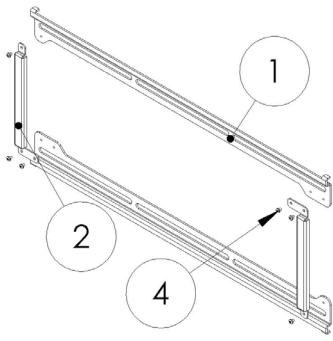


For more information, please contact us at:
345 Log Canoe Circle, Stevensville, Maryland 21666
Toll Free: 877.281.2169 Phone: 410.643.6390 Fax: 410.643.6615
www.videomount.com

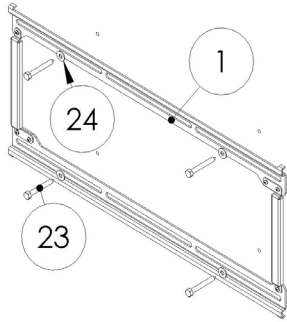
FP-XMF

ITEM NO.	DESCRIPTION	QTY.
1	Wall Plate	2
2	Vertical Support	2
3	Screen Mounting Bracket	2
4	Cross Screw M4*P0.7*L6	6
5	Long Allen Key M4	1
6	Security Screw M5*P0.8*L20	2
7	Cross Screw M4*P0.7*L12	4
8	Cross Screw M5*P0.8*L12	4
9	Cross Screw M6*P1.0*L12	4
10	Cross Screw M8*P1.25*L16.5	4
11	Cross Screw M4*P0.7*L30	4
12	Cross Screw M5*P0.8*L30	4
13	Cross Screw M6*P1.0*L35	4
14	Cross Screw M8*P1.25*L40	4
15	Lock Washer M4	4
16	Lock Washer M5	4
17	Lock Washer M6	4
18	Lock Washer M8	4
19	Washer $\phi 5.5 \times \phi 18 \times T2.0$	4
20	Spacer M5	4
21	Spacer M8	4
22	Magnetic Level	1
23	Lag Screw 5/16" * 2.5"	4
24	Washer $\phi 8.3 \times \phi 19 \times T1.6$	6

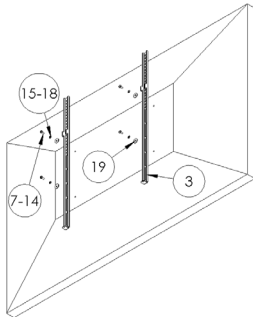




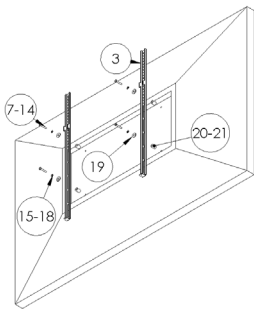
Step 2: Assembling the wall plate



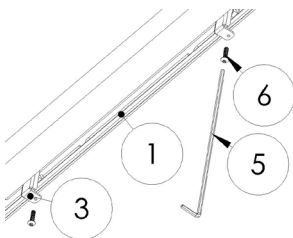
Step 3: Mounting the wall plate



Step 4: Attaching the mounting brackets to the flat panel (spacers not needed)



Step 4: Attaching the mounting brackets to the flat panel (spacers needed)



Step 5: Securing the mounting brackets to the wall plate

Step 1

Before starting, lay out all parts to your mount and match them to the parts list provided. Verify that you have all your parts before attempting to assemble the mount

Step 2

Assemble the wall plate by attaching the two horizontal wall plates (1) using the vertical supports (2) and short M4 screws (4). You can identify the difference between the top and bottom rail by the fact that the top rail is the one with the stopper flaps on either end.

Step 3

Mark the wall or desired mounting surface in preparation of installation of wall plate assembly (1) and (2). If mounting to wooden studs, pre drill pilot holes using a 7/32" drill bit. Attach the wall plate assembly (1) and (2) to the wooden stud using the 5/16" by 2.5" long lag screw (23) and washer (24) making sure the folded tabs on the wall plate assembly are towards the top. **WARNING: Please verify that your mounting surface will support the combined weight of your mount, mounting hardware, and flat panel. Also verify that the mounting surface is safe to drill through. Please note only mounting hardware for mounting to wooden studs will be provided with the unit. If mounting to a surface other than wooden studs then other hardware will be required. If in doubt or uncertain about any of the above, please contact a professional installer.**

Step 4

Determine the correct screw size and if you need to use washers, lock washers, or spacers. Note: Spacers are used for TVs with recessed hole patterns. Secure the TV to the mounting rails (3) using the appropriate hardware (7) through (21). Note: The brackets have to be level with each other to work properly.

Step 5

Use the hooks in the mounting rails (3) to hook on the top rail of the wall plate assembly (1). Use security screws (6) and the long allen key (1) to secure the TVs to the bottom rail (5) and to secure its horizontal position. **Please verify that all nuts and screws are securely tightened.**



Enjoy Your Mount!

WARNING: The installer of these products must verify that the mount surface, ceiling or wall, will safely support the combined weight of all attached equipment and hardware. Video Mount Products will not be held liable for the improper use or installation of its products.