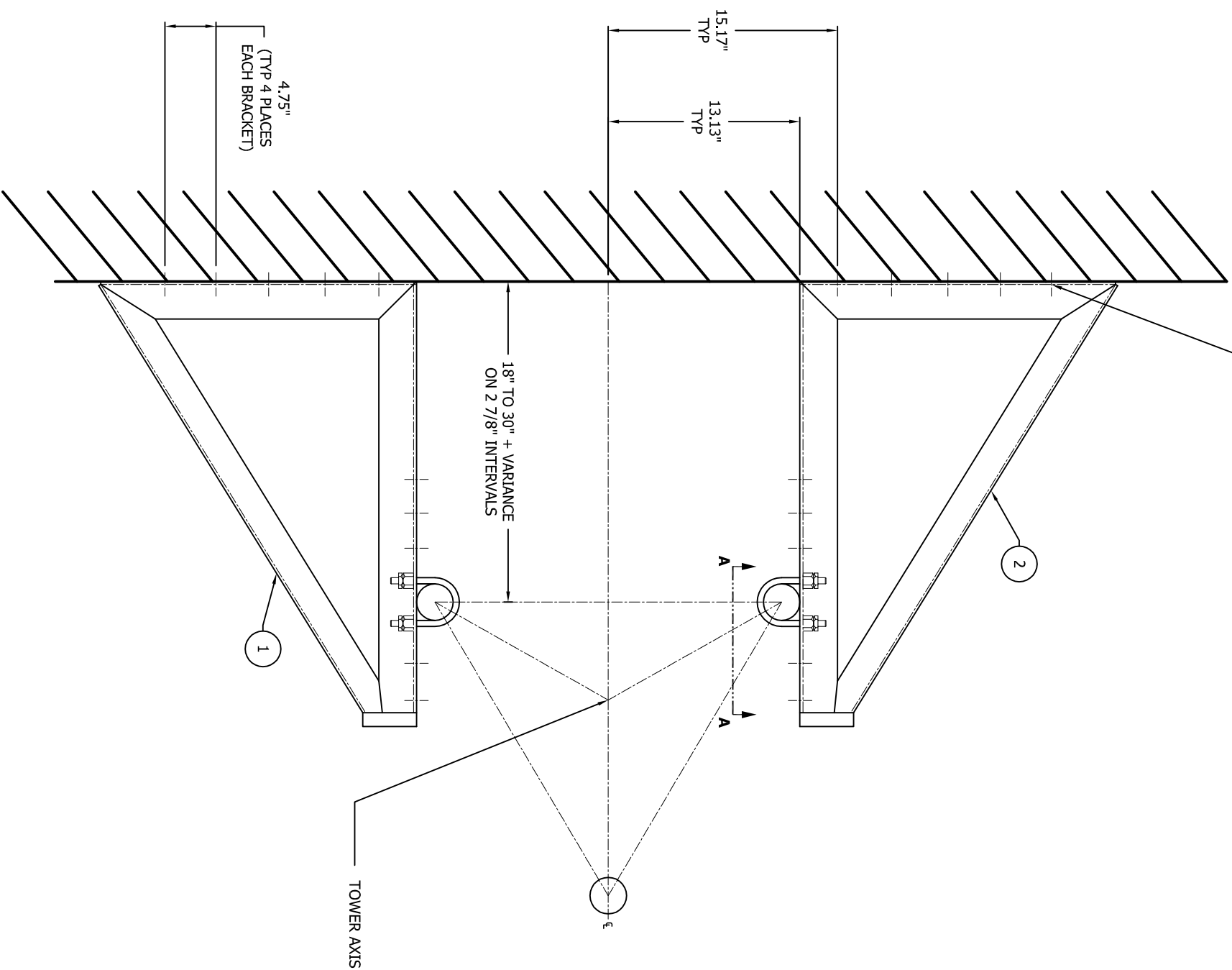
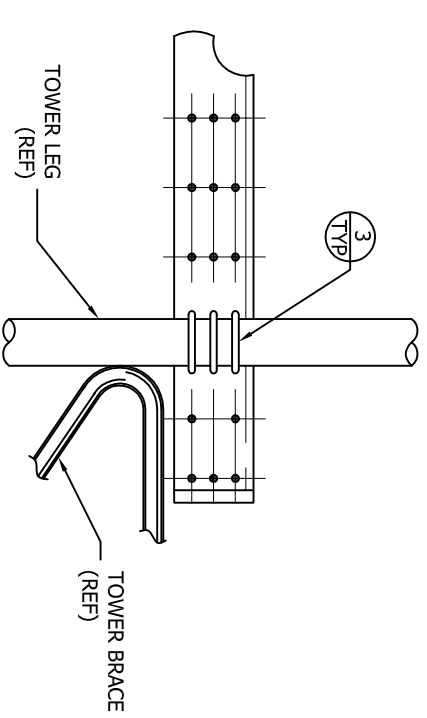


13/16" DIA. HOLES PROVIDED
FOR 3/4" BOLTS (BY OTHERS)



BILL OF MATERIAL		ASSY P/N: KH1014	
ITEM	PART NO.	QTY	DESCRIPTION
1	KH1015	1	BRACKET HOUSE ADJUST 65&C 2X3-LEFT
2	KH1016	1	BRACKET HOUSE ADJUST 65&C 2X3-RIGHT
3	JR61A	6	U-BOLT ASSY 3/8 X 2-1/2



SECTION A-A

NOTE: BRACKET SHOULD BE LOCATED
AS CLOSE AS POSSIBLE TO THE
BRACE AND LEG INTERSECTION

HOUSE BRACKET FOR 65G
MOUNTING



PO BOX 5999
PEORIA, IL 61601-5999
TOLL FREE 800-727-4RHM

THIS DRAWING IS THE PROPERTY OF RQHM. IT IS NOT TO BE
REPRODUCED, COPIED OR TRACED IN WHOLE OR IN PART WITHOUT
OUR WRITTEN CONSENT.

FILE NO.

REVISIONS

REV	DESCRIPTION	DWGN	CHK	APP
6	UPDATED TO NEW TITLE BLOCK		CEJ	
	DATE: 8/4/2011			DWG

DWGN:	CHK'D:	DATE:
KTL	CW	8/5/2011

ENGR:	SHEET #:
TWS	1 OF 1

DRAWING NO:	REV:
B780628	6