

ROHNTM

Products LLC



TELESCOPING MASTS

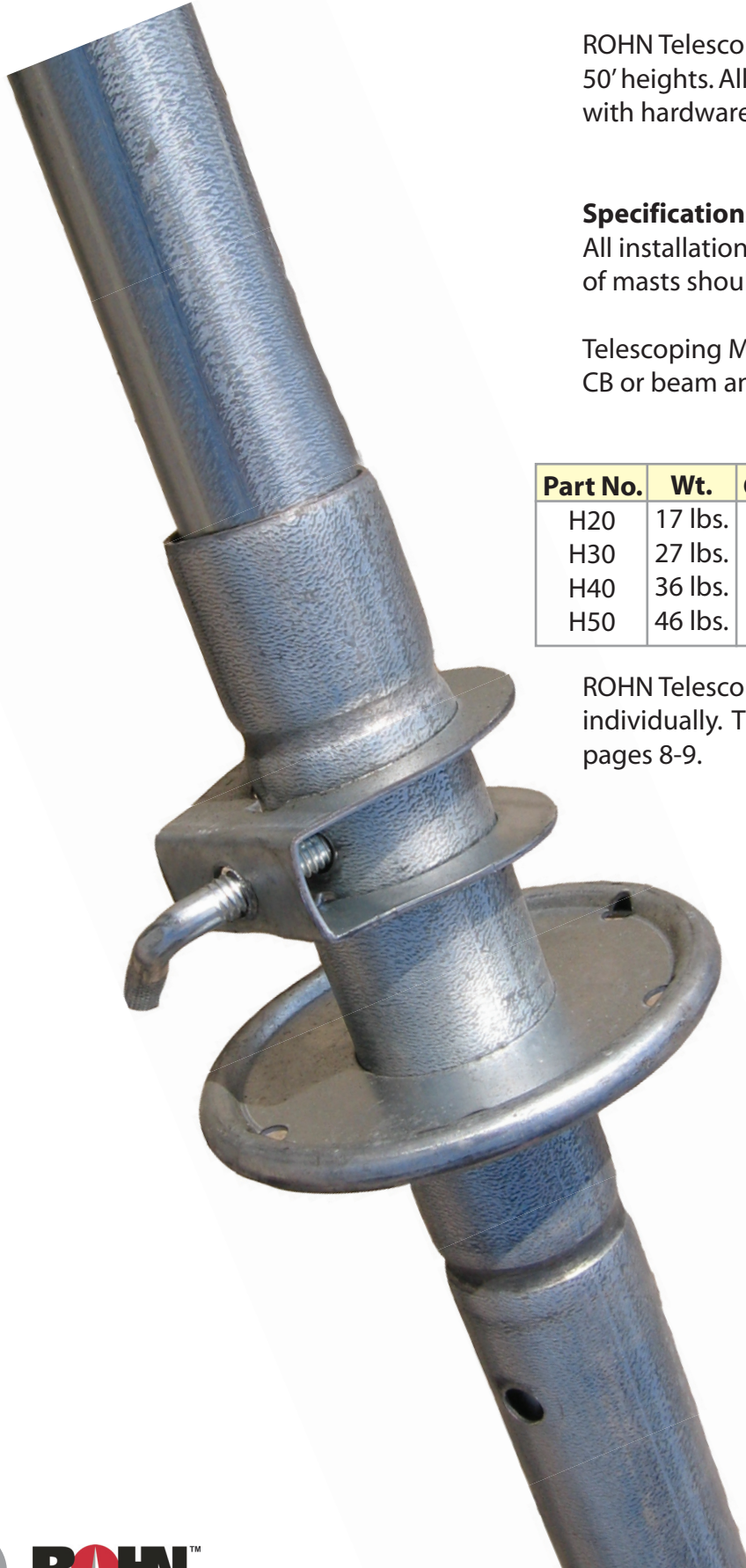
No. 1

The Industry Standard

©2009 ROHN PRODUCTS LLC



TELESCOPING MASTS FOR USE IN GUYED OR BRACKETED INSTALLATIONS



ROHN Telescoping Masts are available in 20', 30', 40' and 50' heights. All are pre-galvanized and come assembled with hardware.

Specifications:

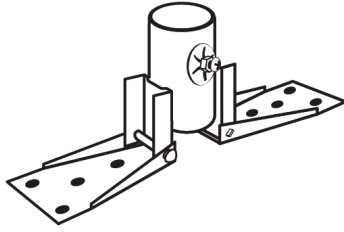
All installations must be guyed or bracketed. Installation of masts should be done by experienced professionals.

Telescoping Masts are not recommended for commercial, CB or beam antenna installations.

Part No.	Wt.	O.D. Bottom	O.D. Top	Shipping Length
H20	17 lbs.	1 1/2"	1 1/4"	123"
H30	27 lbs.	1 3/4"	1 1/4"	123"
H40	36 lbs.	2"	1 1/4"	123"
H50	46 lbs.	2 1/4"	1 1/4"	123"

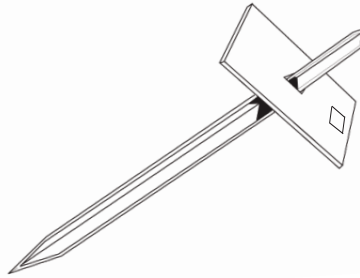
ROHN Telescoping Masts and bases are purchased individually. The guy/anchor kits are available on pages 8-9.

PARTS & ACCESSORIES

**Universal Ridge Mounts**

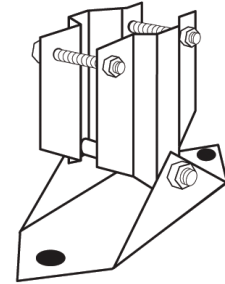
Completely assembled for quick and easy flat or peaked roof installation. Allows tall masts to be swung up along the ridge of the roof.

Part No.	Description
UM20	Holds masts to 1 1/2" dia.
UM30	Holds masts to 1 3/4" dia.
UM40	Holds masts to 2" dia.
UM50	Holds masts to 2 1/4" dia.

**Ground Mounts**

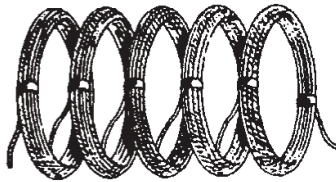
Sturdy, galvanized, drive-in type mount for all ROHN telescoping masts, 1 1/4" tubing and 1 1/2" tubing.

Part No.	Description
GTMBL	Ground Mount

**Universal Roof Mount**

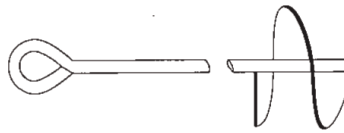
Features galvanized finish and heavy duty steel throughout. Completely assembled. Holds all ROHN telescoping masts, 1 1/4" tubing and 1 1/2" tubing.

Part No.	Description
ETMB	Universal Mount

**Galvanized Guy Wire**

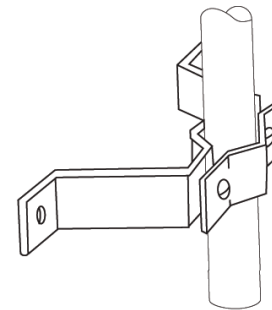
Heavy galvanized steel guy wire. Rust proof, non-tangling inter-connected coils. Packaged 1000' per box.

Part No.	Description
618	6 strand, 18 GA

**Screw Anchor**

Hot dip galvanized screw anchor ideal for guyed telescoping masts and tubing.

Part No.	Description
GAS604	4' x 5/8"

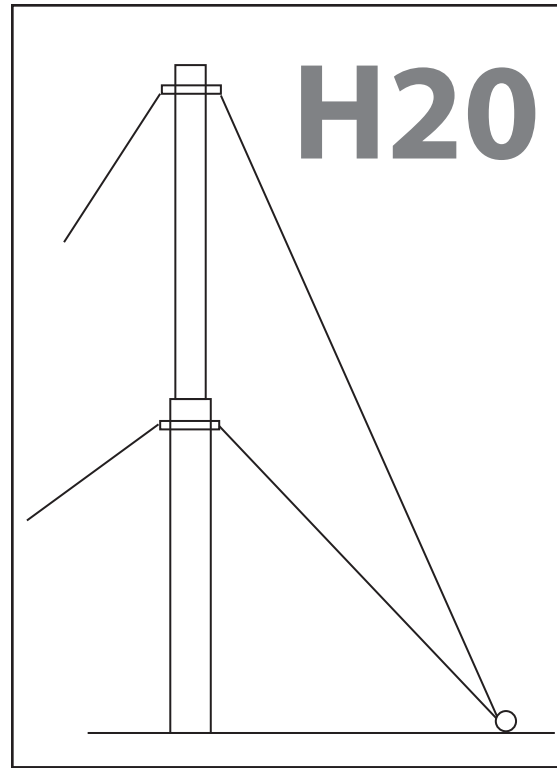
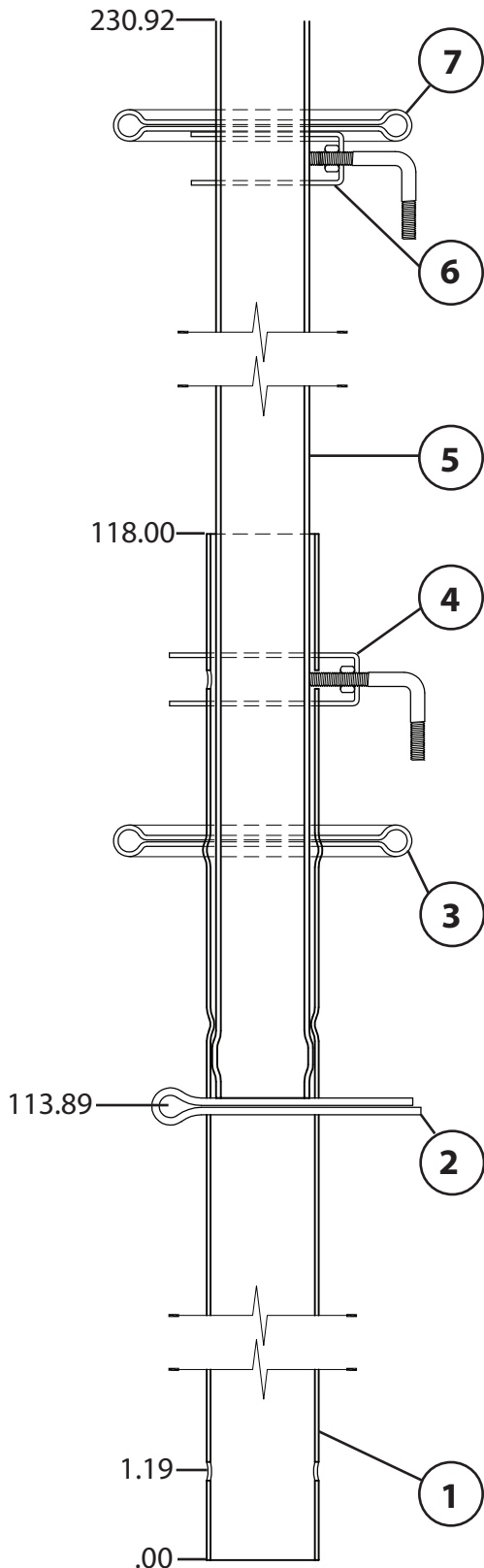
**Wall Mounts**

Heavy duty galvanized mounts for close mounting clearance. Installation hardware included.

Part No.	Description
WM4	4" clearance - upper/lower bracket
WM6S	6" clearance - upper bracket only
WM8S	8" clearance - upper bracket only
WM12S	12" clearance - upper bracket only
WM18S	18" clearance - upper bracket only
WM24S	24" clearance - upper bracket only



TELESCOPING MASTS H20



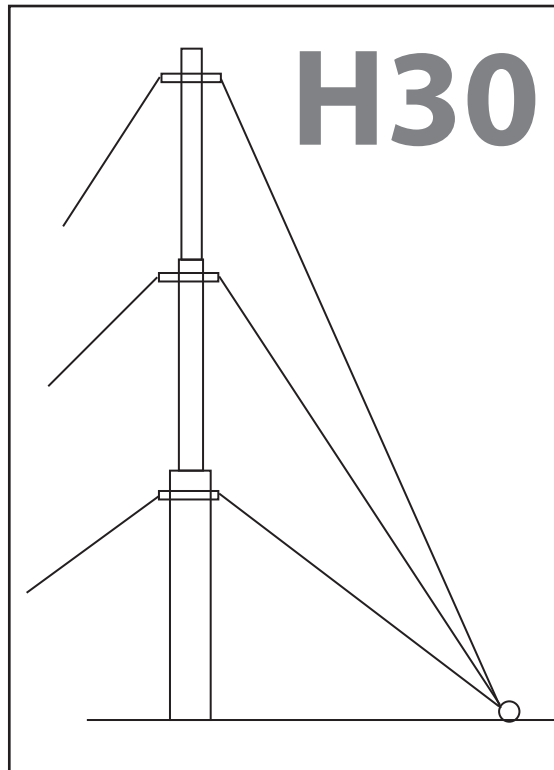
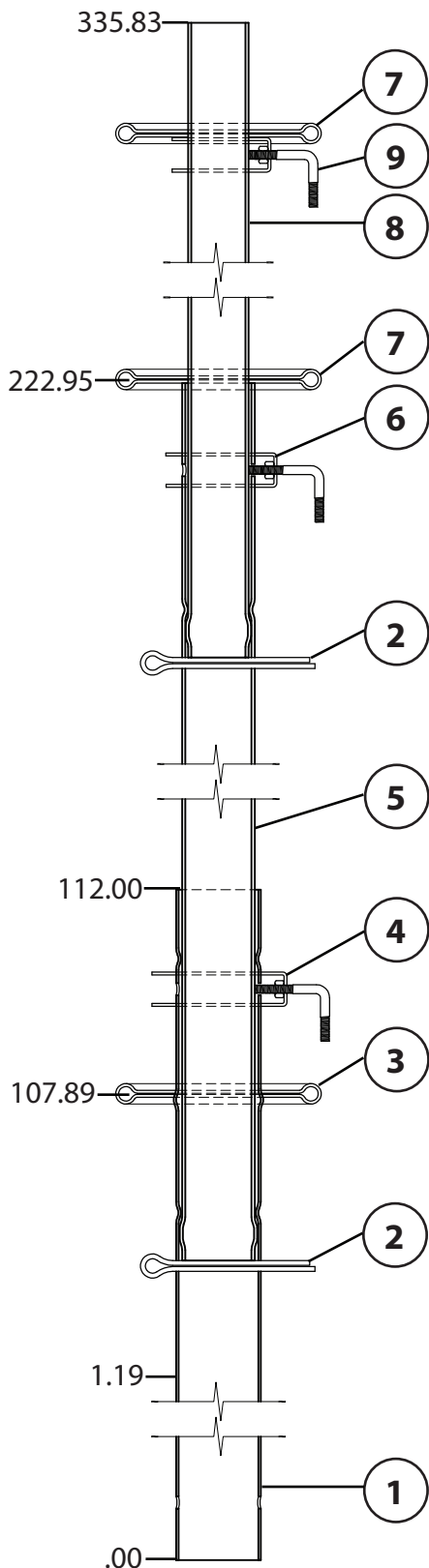
BILL OF MATERIAL

Item	Qty.	Part Number	Description	Item Weight
1	1	KH976	Tube 118" 1 1/2 x 18GA PG	7.457
2	1	280002	Cotter Pin 1/4 x 3 ZP	0.036
3	1	GR2	Guy Ring, 1 1/2" PG	0.215
4	1	C2A	Mast Clamp #2 (1.5") w/ bolt assy.	0.179
5	1	KH890	Tube 120" 1 1/4 x 16GA PG	7.776
6	1	C1A	Mast Clamp #1 (1.25") w/ bolt assy.	0.132
7	1	GR1	Guy Ring, 1 1/4" PG	0.223
Total Weight				16.018

Units shown in inches.

TELESCOPING MASTS

H30

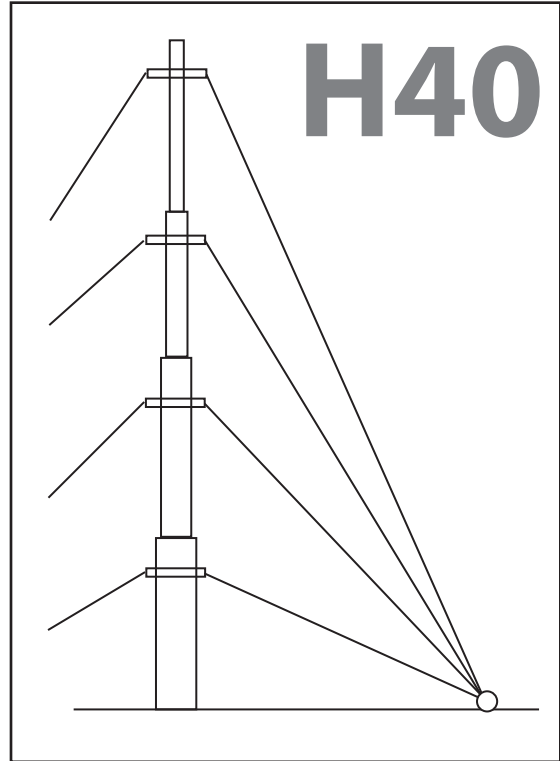
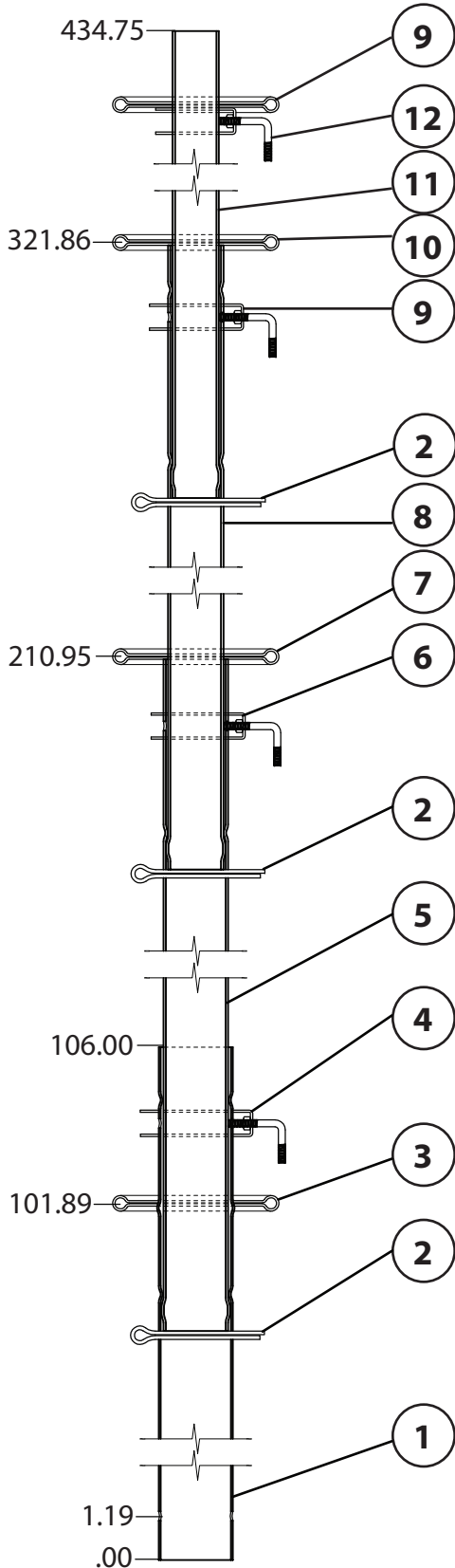


BILL OF MATERIAL

Item	Qty.	Part Number	Description	Item Weight
1	1	KH977	Tube 112" 1 3/4 x 18GA PG	8.297
2	2	280002	Cotter Pin 1/4 x 3 ZP	0.036
3	1	GR3	Guy Ring, 1 3/4" PG	0.206
4	1	C3A	Mast Clamp #3 (1.75") w/ bolt assy.	0.179
5	1	KH976	Tube 118" 1 1/2 x 18GA PG	7.457
6	1	C2A	Mast Clamp #2 (1.5") w/ bolt assy.	0.179
7	2	GR1	Guy Ring, 1 1/4" PG	0.223
8	1	KH890	Tube 120" 1 1/4 x 16GA PG	7.776
9	1	C1A	Mast Clamp #1 (1.25") w/ bolt assy.	0.132
Total Weight				24.744

Units shown in inches.

TELESCOPING MASTS H40



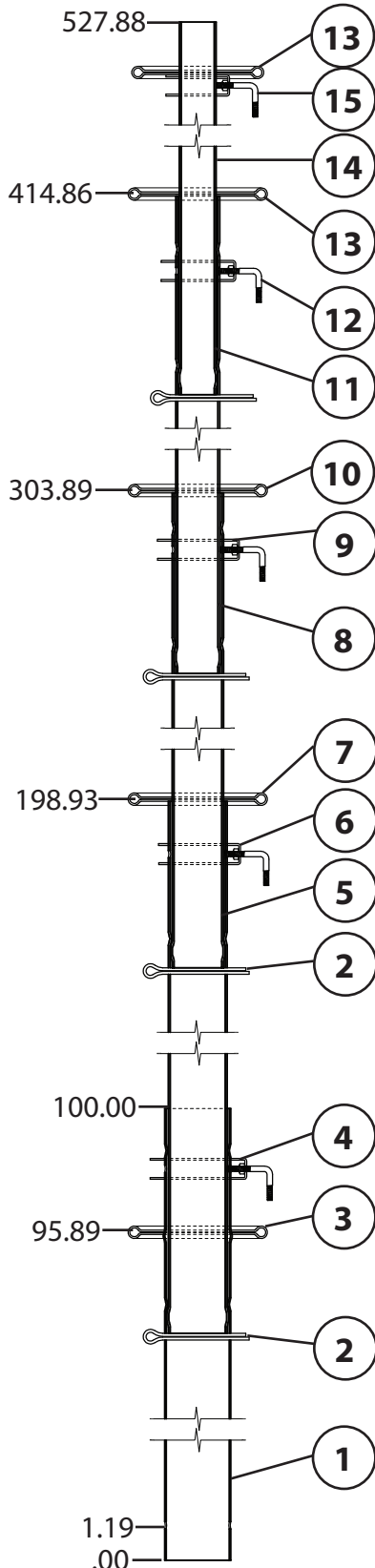
BILL OF MATERIAL

Item	Qty.	Part Number	Description	Item Weight
1	1	KH978	Tube 106" 2 x 18GA PG	9.007
2	3	280002	Cotter Pin 1/4 x 3 ZP	0.036
3	1	GR4	Guy Ring, 2" PG	0.196
4	1	C4A	Mast Clamp #4 (2.00") w/ bolt assy.	0.213
5	1	KH977	Tube 112" 1 3/4 x 18GA PG	8.297
6	1	C3A	Mast Clamp #3 (1.75") w/ bolt assy.	0.156
7	1	GR2	Guy Ring, 1 1/2" PG	0.215
8	1	KH976	Tube 118" 1 1/2 x 18GA PG	7.457
9	1	C2A	Mast Clamp #2 (1.5") w/ bolt assy.	0.179
10	2	GR1	Guy Ring, 1 1/4" PG	0.223
11	1	KH890	Tube 120" 1 1/4 x 16GA PG	7.776
12	1	C1A	Mast Clamp #1 (1.25") w/ bolt assy.	0.132
Total Weight				34.182

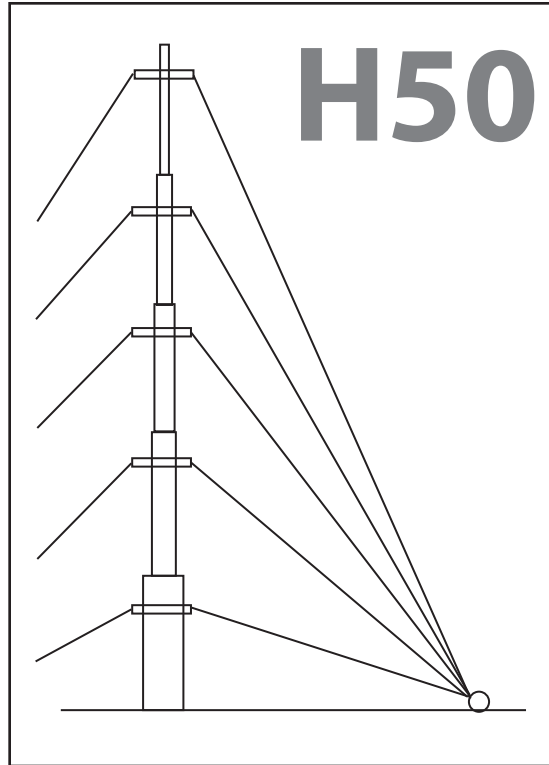
Units shown in inches.

TELESCOPING MASTS

H50



Units shown in inches.



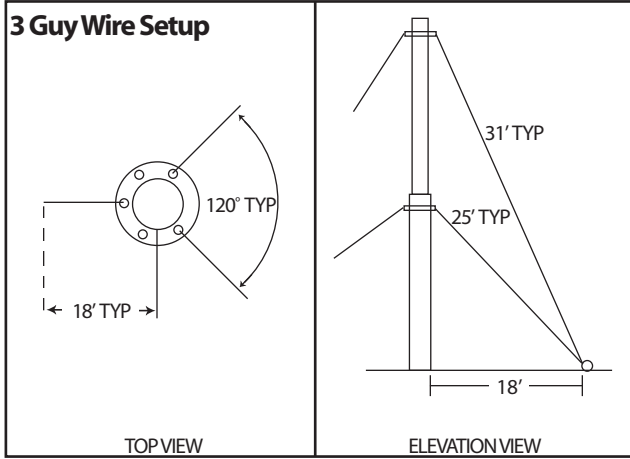
BILL OF MATERIAL

Item	Qty.	Part Number	Description	Item Weight
1	1	KH899	Tube 100" 2 1/4 x 18GA PG	9.586
2	4	280002	Cotter Pin 1/4 x 3 ZP	0.036
3	1	GR5	Guy Ring, 2 1/4" PG	0.184
4	1	C5A	Mast Clamp #5 (2.25") w/ bolt assy.	0.183
5	1	KH978	Tube 106" 2 x 18GA PG	9.007
6	1	C4A	Mast Clamp #4 (2.00") w/ bolt assy.	0.213
7	1	GR3	Guy Ring, 1 3/4" PG	0.206
8	1	KH977	Tube 112" 1 3/4 x 18GA PG	8.297
9	1	C3A	Mast Clamp #3 (1.75") w/ bolt assy.	0.156
10	1	GR2	Guy Ring, 1 1/2" PG	0.215
11	1	KH976	Tube 118" 1 1/2 x 18GA PG	7.457
12	1	C2A	Mast Clamp #2 (1.5") w/ bolt assy.	0.179
13	2	GR1	Guy Ring, 1 1/4" PG	0.223
14	1	KH890	Tube 120" 1 1/4 x 16GA PG	7.776
15	1	C1A	Mast Clamp #1 (1.25") w/ bolt assy.	0.132
Total Weight				44.181

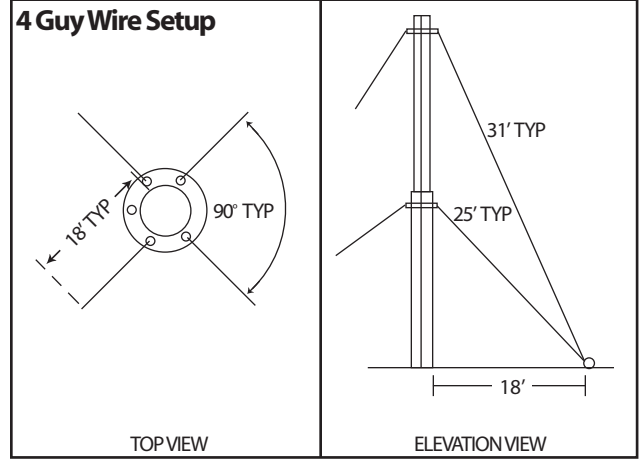
**TYPICAL GUY WIRE LAYOUT
& TYPICAL GUY WIRE LAYOUT**

All Telescoping Mast kits include guy wire, connection hardware and anchors.
Mast and base must be ordered separately.

H20 GUY KIT

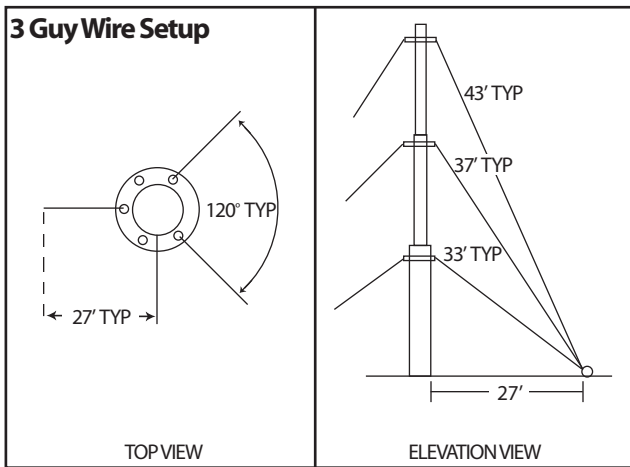


R-H203WAYGUY

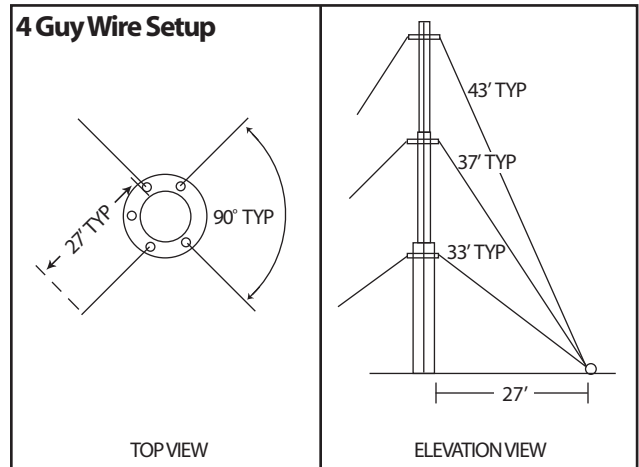


R-H204WAYGUY

H30 GUY KIT



R-H303WAYGUY

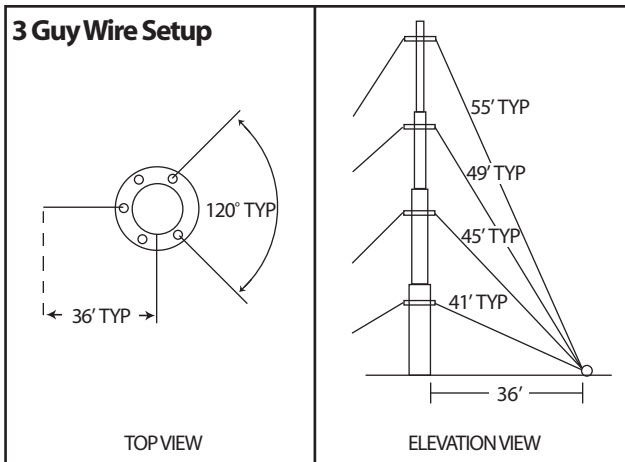


R-H304WAYGUY

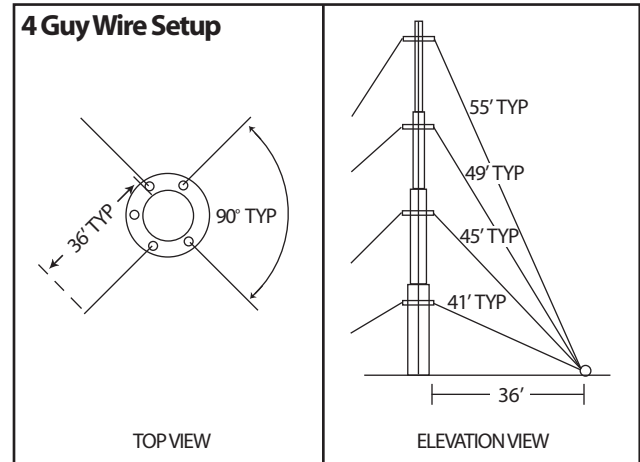
INSTALLATION GUIDELINES & TYPICAL GUY WIRE LAYOUT

All Telescoping Mast kits include guy wire, connection hardware and anchors.
Mast and base must be ordered separately.

H40 GUY KIT

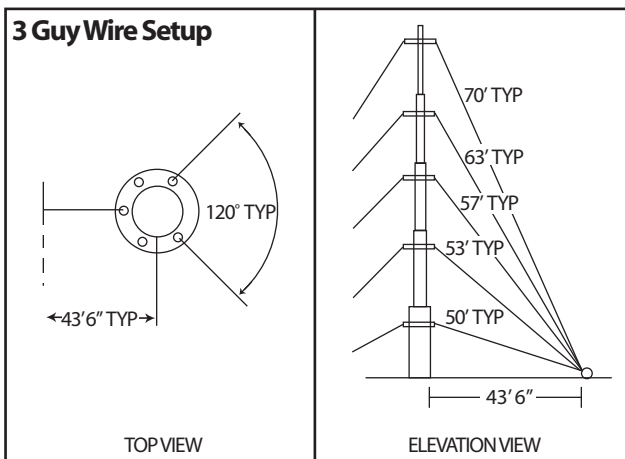


R-H403WAYGUY

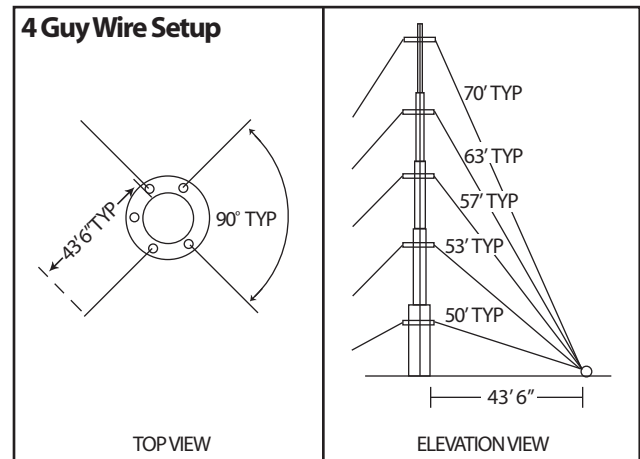


R-H404WAYGUY

H50 GUY KIT



R-H503WAYGUY



R-H504WAYGUY



ASSEMBLY INSTRUCTIONS

1. Secure base and anchors (sold separately).
2. Attach lowered mast to base.
3. Secure guy lines to the lower Guy Ring and attach to anchors. Align the mast vertically by tightening the Guy Lines.
4. Secure upper Guy Ring using the appropriate Mast Clamp to desired location on the upper Tube (see note 8 on page 10).
5. Secure appropriate length guy lines to the upper Guy Ring and let them hang.
6. Raise the upper Tube and inset the cotter pin. Make sure that the cotter pin is inside the notch in the inside tube.
7. Secure the cotter pin and tighten the mast clamp.
8. Secure appropriate length guy lines to the next highest Guy Ring, and let them hang.
9. Raise the next smallest Tube and insert the cotter pin. Make sure that the cotter pin is inside the notch in the inside tube.
10. Secure the cotter pin and tighten the mast clamp.
11. Repeat steps 8-10 until all sections have been raised and are secured.
12. Attach all hanging Guy Lines to their respective anchor. Align the mast vertically by tightening the Guy Lines. Make sure to work your way up the mast while tightening.

For installation drawings, please see pages 7-8.