

W-13

small television wall mount

Product Features:

rotates 140° at wall / 260° at base

adjustable 0° to 10° tilt

includes safety/security strap

tray: width -15" / depth - 11"

holds most 9" to 13" televisions

load capacity - 60 lbs

black powder coat finish

also available in white (W-13W) and
silver (W-13S) finish

Product Specifications:

(for Architects & Engineers)

The wall tray mount for monitors shall be a Video Mount Products (VMP) model W-13.

The mount shall be designed to attach to a single stud or other suitable support surface.

The mount shall be primarily constructed of tubular steel and shall incorporate nylon filled nuts and arc welds. The mount will allow adjustable tilt up to a maximum of 10° and will swivel 140° at the wall and 240° at the base. It shall be capable of supporting most 9" to 13" monitors. The mount shall include a security strap for the monitor.

The load capacity shall be 60 lbs. The mount shall be UL listed in the US and Canada. The mount will also be available in a silver (W13-S) and white (W13-W) scratch resistant finish.

Video Mount Products

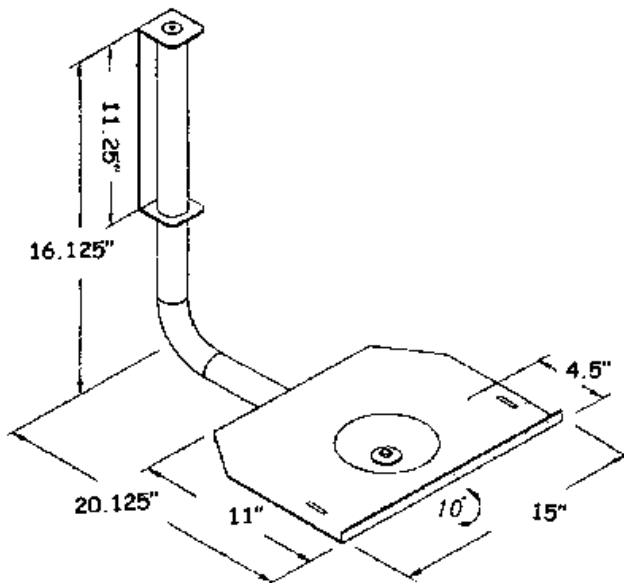
325 Log Canoe Circle

Stevensville, MD 21666

Phone: 410.643.6390

Fax: 410.643.6615

www.videomount.com



VMP
VIDEO MOUNT PRODUCTS

