

Performance Specifications

Channels:

VHF: 2-13

UHF: 14-69

Dimensions: 5"H x 26-3/4"W x 4-1/4"D

Amplifier Gain: VHF/UHF: 7-10 dB average

90 DAY LIMITED WARRANTY

Winegard Company warrants this Winegard product (excluding receiver) against any defects in materials or workmanship within two (90) day from date of purchase. No warranty claim will be honored unless at the time the claim is made, you present proof of purchase to an authorized Winegard dealer (if unknown, please contact Winegard Company, 3000 Kirkwood Street, Burlington, Iowa 52601-2000, telephone 800-288-8094).

Winegard Company (at its option) will either repair or replace the defective product at no charge to you. This warranty covers parts, but does not cover any costs incurred in removal, shipping or reinstallation of the product. This limited warranty does not apply if the product is damaged, deteriorates, malfunctions or fails from: misuse, improper installation, abuse, neglect, accident, tampering, modification of the product as originally manufactured by Winegard, usage not in accordance with product instructions or acts of nature such as damage caused by wind, lightning, ice or corrosive environments such as salt spray and acid rain.

The 90 day Warranty is provided on the condition that the equipment is properly delivered with all handling and freight charges prepaid to your Winegard dealer for repair or return to our factory at the above address. Winegard dealers will arrange for the replacement or repair and return to you, without charge, the product which failed due to defective material or workmanship.

WINEGARD COMPANY WILL NOT ASSUME ANY LIABILITIES FOR ANY OTHER WARRANTIES, EXPRESS OR IMPLIED, MADE BY ANY OTHER PERSON.

ALL OTHER WARRANTIES WHETHER EXPRESS, IMPLIED OR STATUTORY INCLUDING WARRANTIES OF FITNESS FOR A PARTICULAR PURPOSE AND MERCHANTABILITY ARE LIMITED TO THE TWO YEAR PERIOD OF THIS WRITTEN WARRANTY.

The foregoing shall be the sole and exclusive remedy of any person whether in contract, tort or otherwise, and Winegard shall not be liable for incidental or consequential damage or commercial loss, or from any other loss or damage except as set forth above.

Some states do not allow limitations on how long an implied warranty lasts, or the exclusion of limitation of incidental or consequential damages, so the above limitations or exclusions may not apply to you.

This warranty gives you specific legal rights and you may also have other rights which vary from state to state.

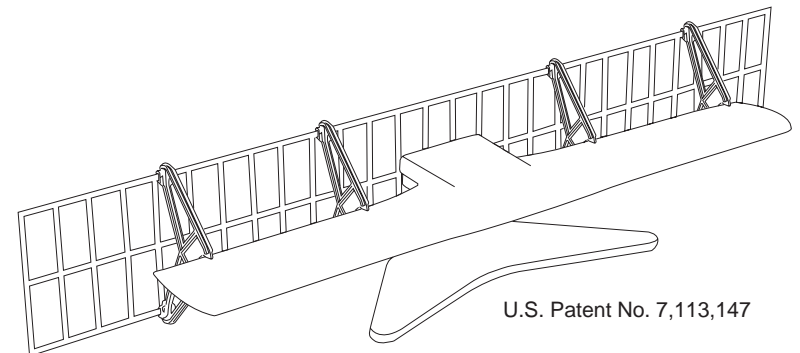
Rev. 2/08

WINEGARD®

Amplified Low Profile Indoor Television Antenna

Model SS-3000

Made in the U.S.A.



U.S. Patent No. 7,113,147



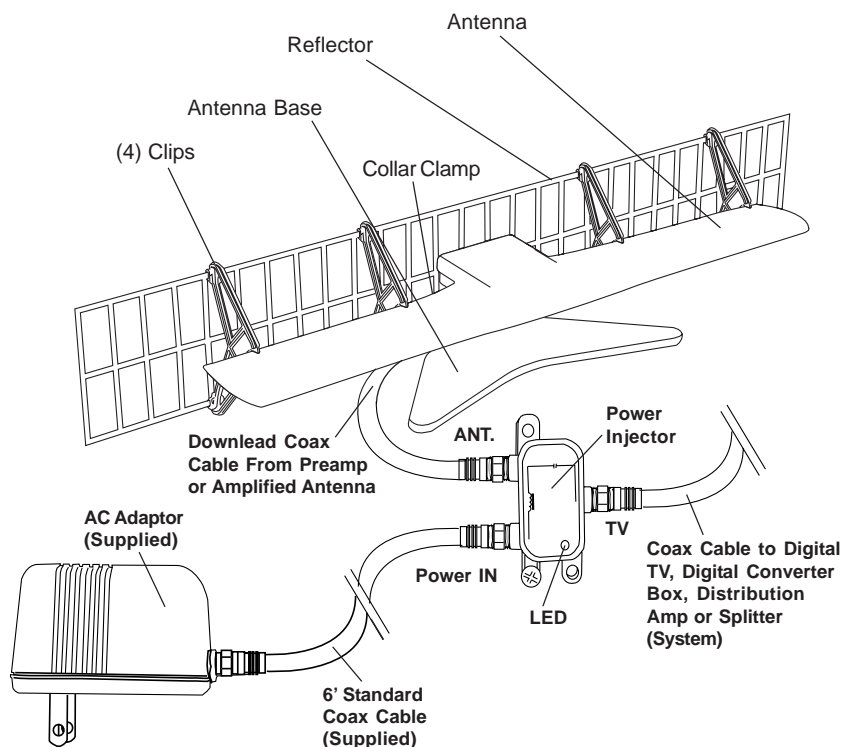
Winegard Company • 3000 Kirkwood Street • Burlington, IA 52601 • 319/754-0600 Fax 319/754-0787
•www.winegard.com Printed in U.S.A. © 2005 Winegard Company 2452064 Rev. 1/09

Winegard Company • 3000 Kirkwood St. • Burlington, IA 52601-2000
319/754-0600 • FAX 319/754-0787 • www.winegard.com

Printed in U.S.A. © Winegard Company 2005 2452064 Rev. 1/09

About Your SS-3000 Antenna

Thank you for choosing the Low Profile antenna. Winegard antennas are designed to deliver sharp, clear, high definition signal reception. At Winegard, our engineering department is dedicated to designing antennas that embrace both the latest technology and the aesthetics of any viewing environment. The SS-3000 installs in minutes; it's easy to use and simple to adjust. Before installing your antenna, please remove all parts from the box and read the owners' manual carefully.



Installation

1. Find small clamp half with two holes. Attach to antenna base with the two long screws. **D o not tighten at this time.**

Troubleshooting

No picture, or the tuner is displaying no "signal."

1. Make sure the antenna is connected to the correct "antenna in" input on the set-top box or TV.
2. Rotate the antenna around the room to find the best reflected signal, keeping in mind that the best reflected signal may be behind the antenna. (See page 6 for directions on how to use the web to locate the broadcast tower location. Rotate the antenna base up to 360° until you receive the best signal possible).
3. For houses with aluminum siding/insulation or stucco, place the antenna near a window to minimize interference.

Indoor Reception

CHANNEL	ANALOG	DIGITAL
2 - 6	0 - 10	0 - 15
7 - 13	0 - 20	0 - 25
14 - 69	0 - 25	0 - 30

Frequently Asked Questions

Q. What do I need to get HDTV?

A. A High Definition television with built-in or set-top HD receiver.

Q. Why do I need an antenna?

A. This antenna will get you local high definition broadcast channels proving you live within 30 miles of the broadcast tower and there are no obstacles between you and the broadcast tower that could interfere with reception (see note below).

Q. Can I use this antenna in a basement?

A. No, broadcast signals cannot penetrate into basements due to their lower elevation.

Q. How can I get channels above channel 13?

A. Tuners have both cable and antenna modes. Access the proper on screen TV menu and switch from Cable/CATV mode to ANT/AIR mode to receive these channels.

Please Note:

Other variables, which are not related to antenna performance, can effect your reception. These include distance from the source transmitting the desired station, and man-made and natural conditions.

Example: Obstacles such as buildings between the transmitting source and your antenna can effect your reception.

Operating Your SS-3000

Locating your SS-3000 Antenna

Your antenna is a precision instrument and should be placed in a location that is best for receiving TV signals.

Your antenna can be placed on top of any TV for ease of adjustment.

Operating your SS-3000 Antenna

Positioning the antenna properly will give you optimal digital television (DTV) reception, especially in areas of high multipath. In such areas, repositioning the antenna a few inches could mean the difference between an excellent DTV stream or picture loss.

First, point the antenna towards a window. If this fails to give you a solid picture, **slowly** rotate the antenna 360 degrees until you receive a picture - the antenna was designed to pick up reflected signals from interior walls. Keep in mind that the best reflected signal may be behind the antenna.

NOTE: It is best to utilize the Signal Strength Meter of your set-top box or an HDTV television with built-in tuner to optimize the position of the antenna.

You can use the following Web tool to find where the broadcast towers are located from your home address:

1. Go to www.antennaweb.org and click the "Antenna Locator."
2. Enter your home address and "Submit."
3. Click "View Street Level Map" to see which direction you should point your antenna.

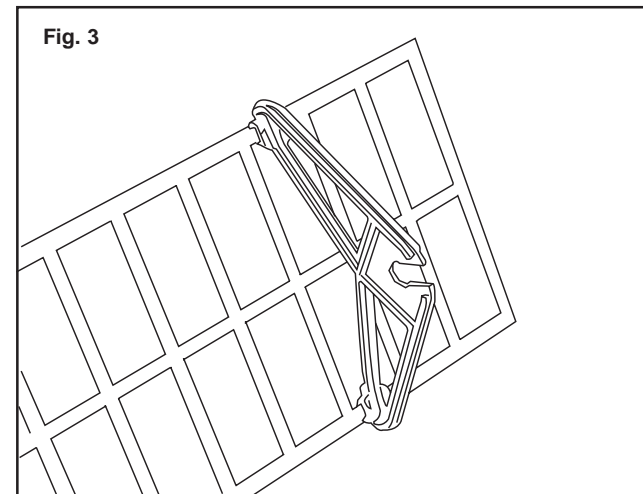
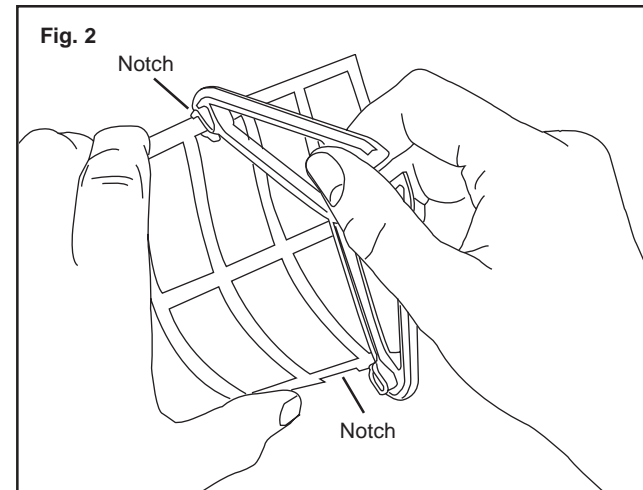
Please Note:

1. Do not place your antenna near large metal objects or appliances that could create interference.
2. Do not lift your antenna by its receiving elements or place objects on them.
3. Late model televisions have on-screen menu controls for viewing VHF/UHF "Off-Air" or cable broadcasts. Please ensure that this menu control is at the proper "Off-Air" position.

Installation

Attaching the clips to the Reflector.

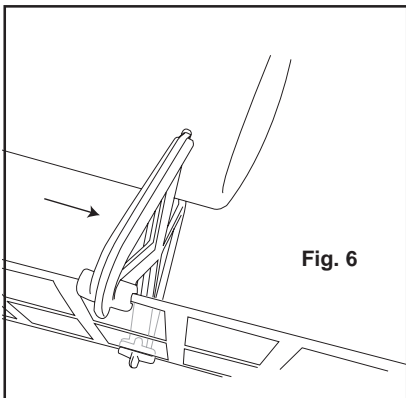
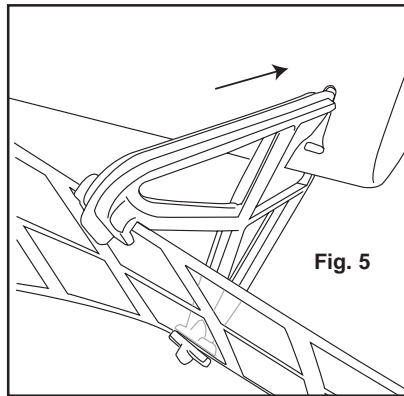
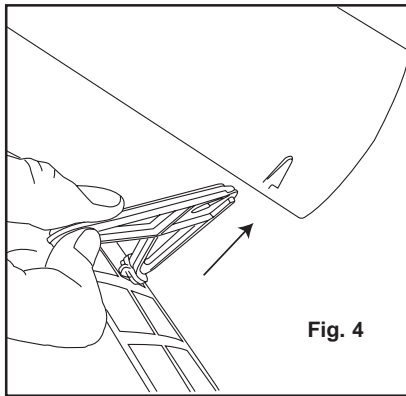
1. Lay the Reflector flat on the table.
2. Grip the Reflector with your thumb and index finger and bend the Reflector's top and bottom edges towards you. (See Fig. 2, 3)
3. With your other hand, grasp the Clip and attach it to the Reflector at the two notches.
4. Repeat steps 2 and 3 for all four Clips.



Installation (cont.)

Attaching the Reflector to the Antenna

1. Starting from the right side, slide the Clip that is attached to the Reflector diagonally into the notch at the back of the Antenna. (See Fig. 4, 5)
2. Once the Clip is pushed in, slide it to the side so that it forms a 90 degree angle to the Antenna's edge. (See Fig. 6)
3. Repeat steps 1 and 2 for all four Clips.

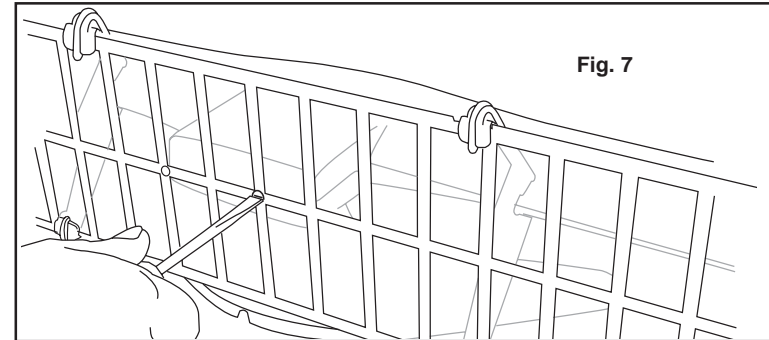


4

Installation

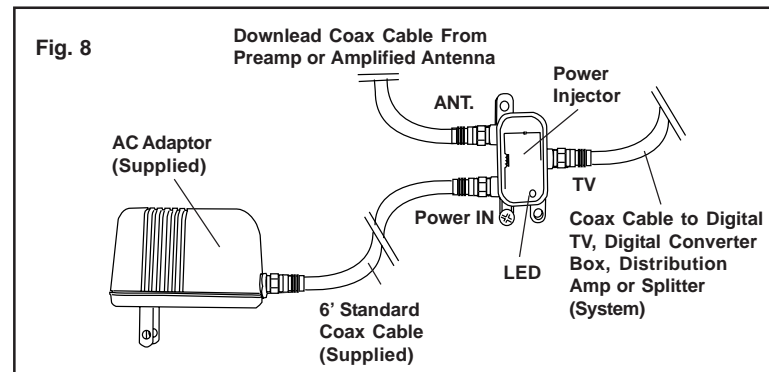
Attaching the Antenna with reflector to the Base

1. Route the 6' Mini Coax Cable through the Base and screw it securely to the Antenna.
2. Slide the Antenna with Reflector onto the Base.
3. Using a screw driver, slightly tighten the two screws, (see Fig. 7) to secure the Antenna to the Base.



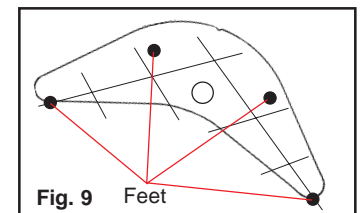
Making Connections

1. Connect the Mini Coax Cable attached to the Antenna to the connection on the Power Injector labeled "Antenna".
2. Connect the 2' Coax Cable from the connection on the Power Injector labeled "TV" to your HDTV or Set-up box.
3. Connect the 6' Standard Coax Cable from the connection on the Power Injector labeled "Power" to the AC Adapter.
4. Plug in the AC Adapter to a standard AC outlet.



Attaching Rubber Feet to the Base

Remove the protective adhesive strip from the four rubber feet and apply them to the bottom of the antenna base.



5