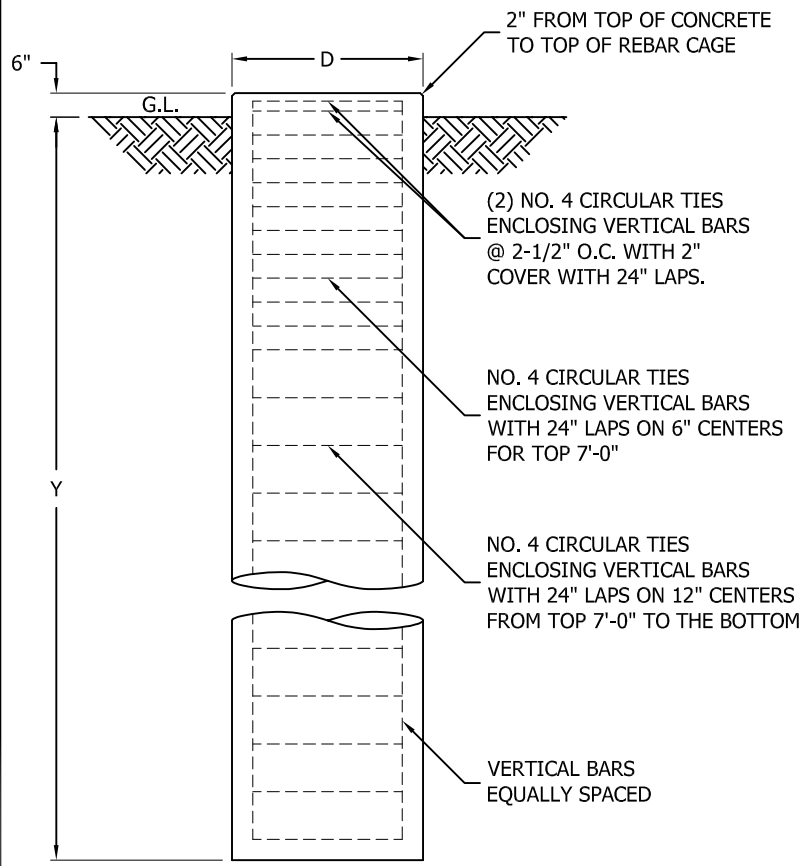


DRILLED PIERS				
FOUNDATION I.D. NUMBER	DIAMETER, D (FT)	DEPTH, Y (FT)	VERTICAL BARS (QTY) #SIZE	TOTAL CONCRETE VOLUME (3 PIERS) (CU.YDS.)
D1	2.5	16	(10) #6	9.0
D2	2.5	18	(10) #6	10.2
D3	2.5	20	(12) #6	11.1
D4	2.5	22	(12) #6	12.3
D5	2.5	24	(12) #6	13.5
D6	2.5	26	(12) #6	14.4
D7	2.5	28	(12) #6	15.6
D8	2.5	30	(12) #6	16.5
D9	2.5	32	(12) #6	17.7
D10	2.5	34	(12) #6	18.9
D11	3	26	(12) #7	20.7
D12	3	28	(12) #7	22.5
D13	3	30	(12) #7	24.0
D14	3	32	(12) #7	25.5
D15	3	34	(12) #7	27.0
D16	3	36	(12) #7	28.8
D17	3	38	(12) #7	30.3
D18	3	40	(12) #7	31.8
D19	3.5	32	(14) #7	34.8
D20	3.5	34	(14) #7	36.9
D21	3.5	36	(14) #7	39.0
D22	3.5	38	(14) #7	41.1
D23	3.5	40	(14) #7	43.2
D24	4	34	(16) #7	48.3
D25	4	36	(16) #7	51.0
D26	4	38	(16) #7	53.7

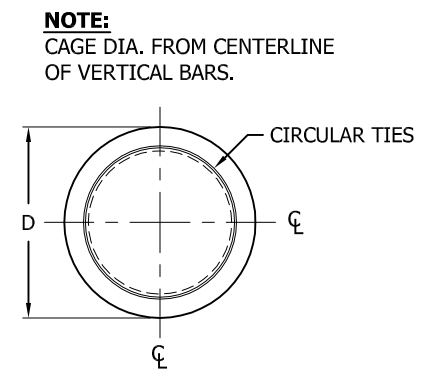
MAT WITH RAISED PIERS							
FOUNDATION I.D. NUMBER	PIER DIAMETER, D (FT)	DEPTH, Y (FT)	MAT WIDTH, W (FT)	OFFSET, X (FT)	VERTICAL BARS (QTY) #SIZE	HORIZONTAL BARS (QTY) #SIZE	TOTAL CONCRETE VOLUME (CU.YDS.)
M1	2.5	5	14	0.75	(8) #7	(12) #6 (48 TOTAL)	13.1
M2	2.5	5	16	1.00	(8) #7	(12) #6 (48 TOTAL)	16.4
M3	2.5	5	18	1.00	(8) #7	(14) #6 (56 TOTAL)	20.2
M4	2.5	5	20	1.25	(8) #7	(16) #6 (64 TOTAL)	24.4
M5	2.5	5	22	1.25	(8) #7	(18) #6 (72 TOTAL)	29.1
M6	2.5	5	24	1.50	(8) #7	(18) #6 (72 TOTAL)	34.2
M7	3	5	16	1.00	(12) #7	(12) #6 (48 TOTAL)	17.4
M8	3	5	18	1.00	(12) #7	(14) #6 (56 TOTAL)	21.1
M9	3	5	20	1.25	(12) #7	(16) #6 (64 TOTAL)	25.4
M10	3	5	22	1.50	(12) #7	(18) #6 (72 TOTAL)	30.0
M11	3	5.5	22	1.50	(12) #7	(18) #6 (72 TOTAL)	30.4
M12	3	5.5	24	1.50	(12) #7	(22) #6 (88 TOTAL)	35.5
M13	3	5.5	26	1.75	(12) #7	(24) #6 (96 TOTAL)	41.1
M14	3.5	5.5	24	1.50	(14) #7	(22) #6 (88 TOTAL)	36.8
M15	3.5	5.5	26	1.50	(14) #7	(24) #6 (96 TOTAL)	42.4
M16	3.5	5.5	28	1.75	(14) #7	(28) #6 (112 TOTAL)	48.4
M17	4	5.5	26	1.50	(16) #7	(24) #6 (72 TOTAL)	43.8
M18	4	5.5	28	1.75	(16) #7	(30) #6 (120 TOTAL)	49.8

FILE NO.				
REVISIONS				
REV.	DESCRIPTION	DWN	CHK	APP

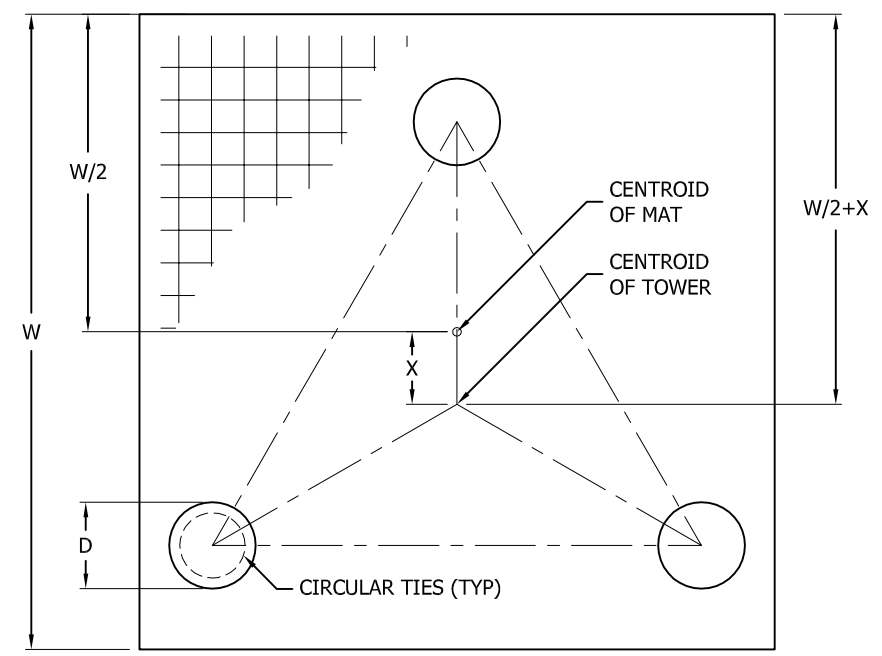
- GENERAL NOTES:**
- FOR GENERAL FOUNDATION NOTES, SEE DRAWING NUMBER B090548.
 - FOR ANCHOR BOLT LAYOUT, SEE ASSEMBLY DRAWING.
 - FOR ANCHOR BOLT SIZE AND QUANTITY, SEE ANCHOR BOLT LAYOUT FOR TOWER.
 - VERTICAL BAR CAGE DIAMETER IS EQUAL TO PIER DIAMETER MINUS 9 INCHES.



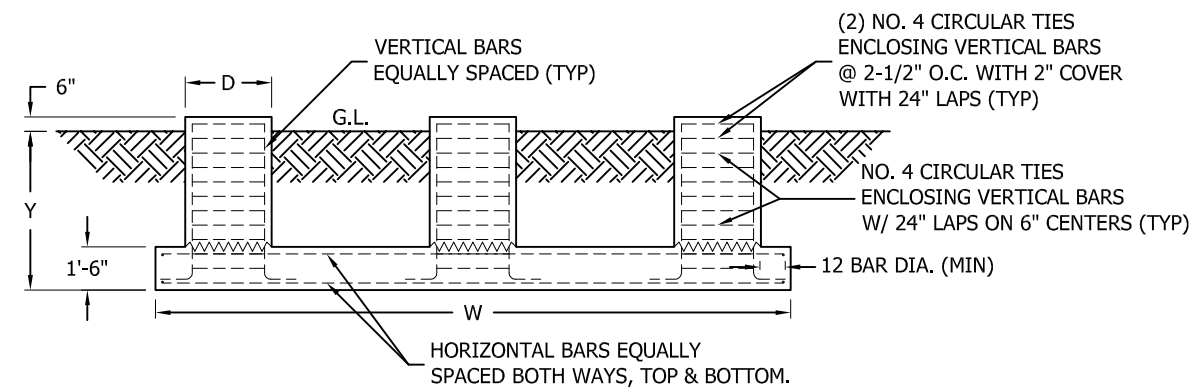
ELEVATION VIEW
N.T.S.



PLAN VIEW
N.T.S.



PLAN VIEW
N.T.S.



ELEVATION VIEW
N.T.S.

ROHN
PRODUCTS LLC
PO BOX 5999
PEORIA, IL 61601-5999
TOLL FREE 800-727-ROHN

THIS DRAWING IS THE PROPERTY OF ROHN. IT IS NOT TO BE REPRODUCED, COPIED OR TRACED IN WHOLE OR IN PART WITHOUT OUR WRITTEN CONSENT.

RT CATALOG TOWER FOUNDATIONS
PRESUMPTIVE CLAY PER ANSI/TIA-222-G

DWN: AS	CHK'D: HA	DATE: 9/22/2017
ENG'R: HA	SHEET #: 1 OF 1	
PRJ. ENG'R: AS	PRJ. MANG'R:	
DRAWING NO: RT-FOUNDATIONS		REV: 0