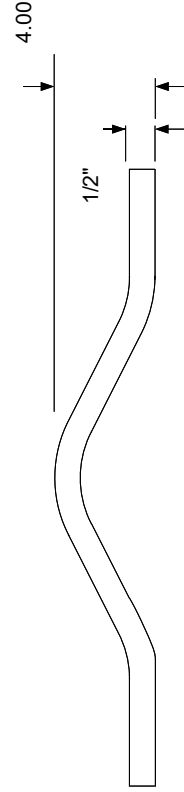
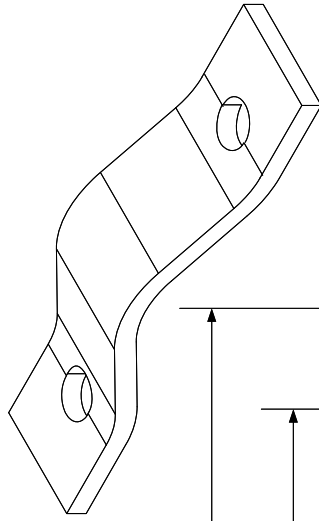
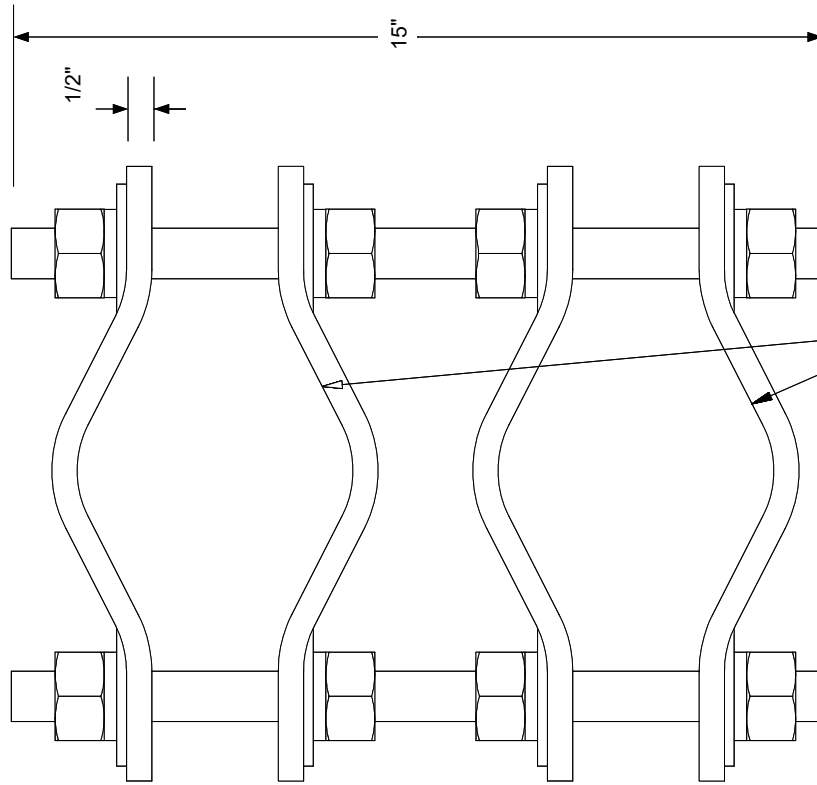


TITLE

PART # 3S-10-25

Parts List

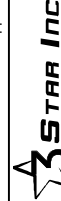
QTY.	1/2" THICK, 8-1/8" LONG	CLAMP HALF
4	5/8" x 15"	HDG THREADED ROD
2	5/8"	HDG HEAVY 2H HEX NUT
8	5/8"	HDG LOCKWASHER
8	5/8"	HDG USS FLATWASHER



DESCRIPTION

Heavy Duty Antenna Pipe
to Pipe Mount 2.38 - 5.00

Visit us on the web at www.3starinc.com
Contact Email: support@3starinc.com | Phone: (804)550-7202



9487 King Air Ct. Unit C
Ashland, VA 23005 USA