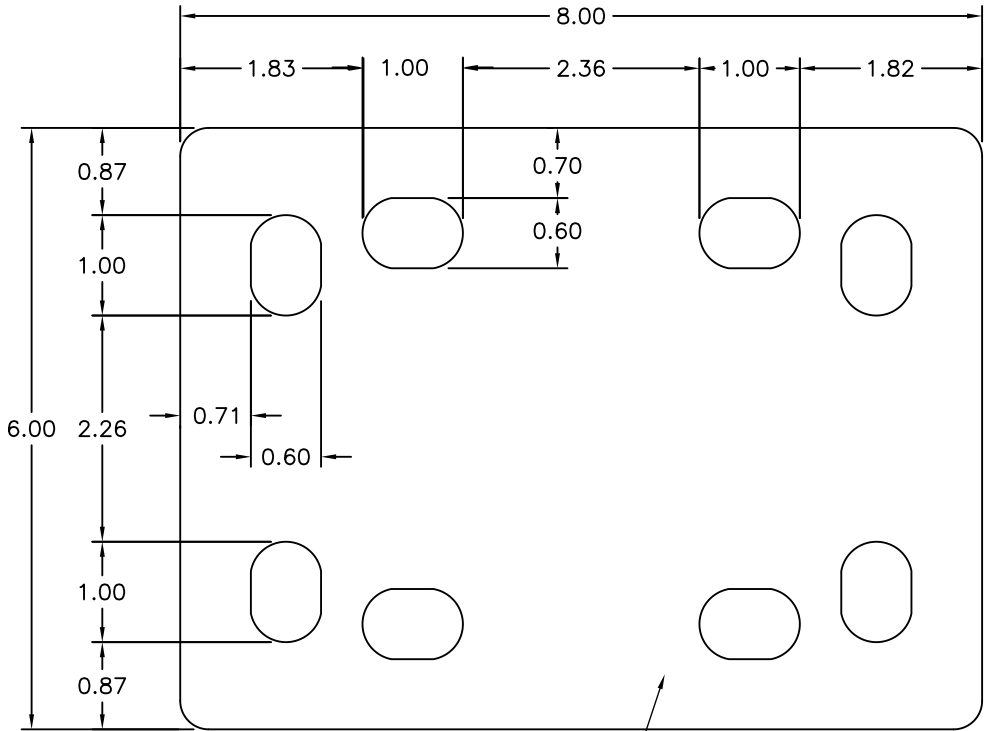
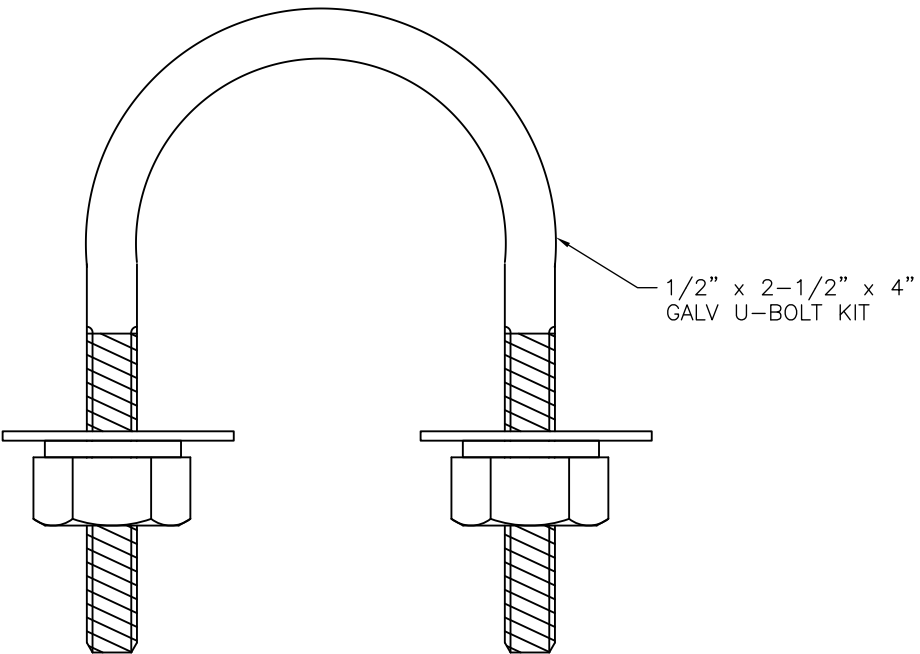


PARTS LIST				
1	1	SCX2	3/8" x 6" x 8" CROSSOVER PLATE	
2	4	GUB-4240	1/2" x 2-1/2" x 4" GALV U-BOLT KIT	

**U-BOLT KIT INCLUDES:**  
 (1) GALVANIZED U-BOLT  
 (2) GALVANIZED LOCK WASHER  
 (2) GALVANIZED FLAT WASHERS  
 (2) GALVANIZED NUTS



3/8" THICK CROSSOVER PLATE



**FINISH:**  
HOT DIP GALVANIZED

**WEIGHT:**  
6.85LBS.



9487 King Air Ct , Ashland VA 23005  
 www.3starinc.com | sales@3starinc.com | Tel. (804) 550-7202

DESCRIPTION