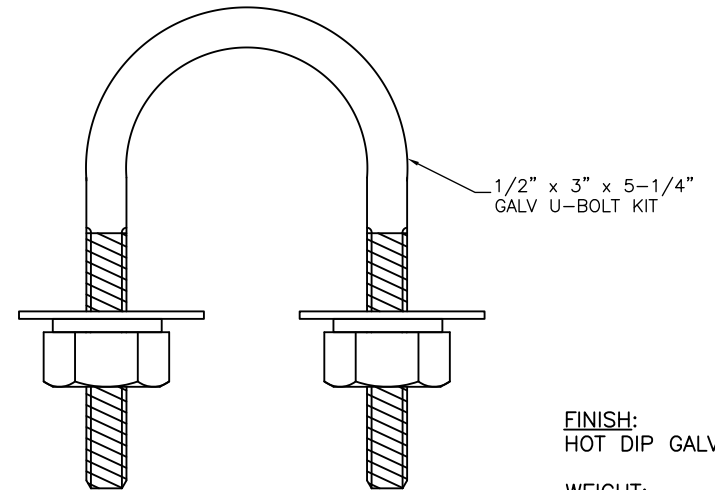
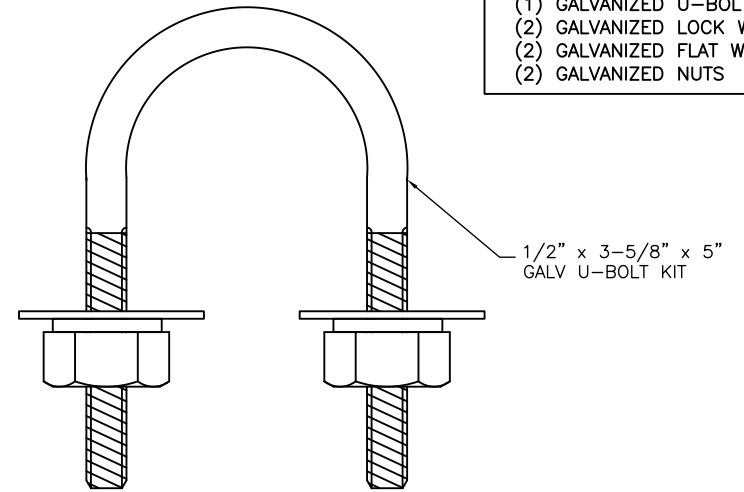
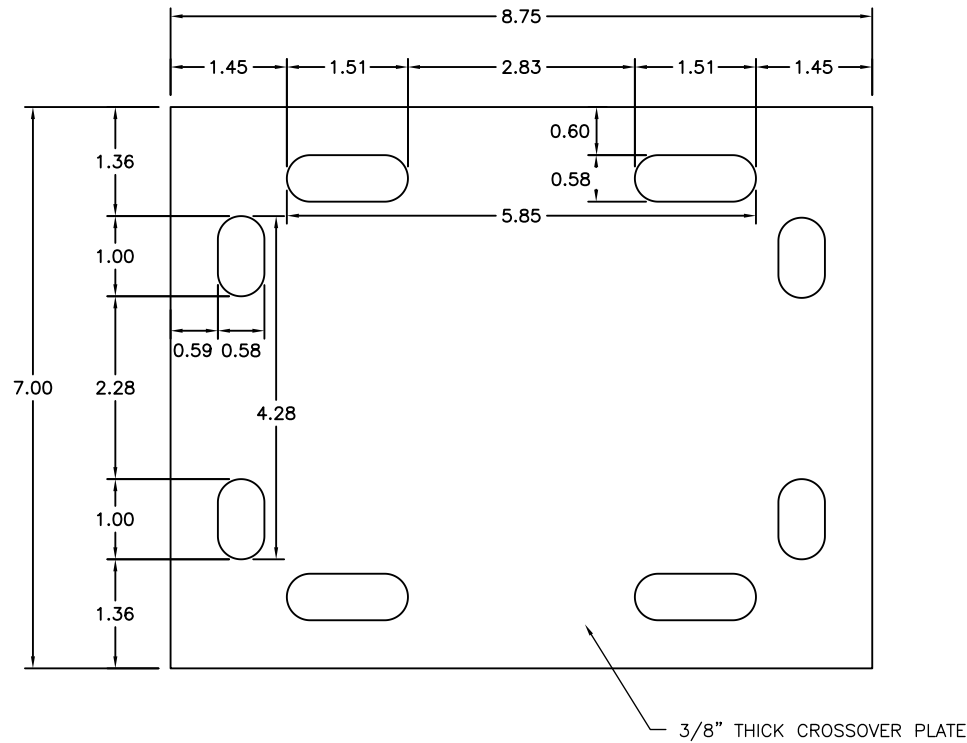


PARTS LIST			
ITEM	QTY	PART NO.	PART DESCRIPTION
1	1	SCX4	3/8" x 7" x 8-3/4" CROSSOVER PLATE
2	2	GUB-4352	1/2" x 3" x 5-1/4" GALV U-BOLT KIT
3	2	GUB-4355	1/2" x 3-5/8" x 5" GALV U-BOLT KIT

U-BOLT KIT INCLUDES:
 (1) GALVANIZED U-BOLT
 (2) GALVANIZED LOCK WASHERS
 (2) GALVANIZED FLAT WASHERS
 (2) GALVANIZED NUTS



FINISH:
HOT DIP GALVANIZED

WEIGHT:
8.5LBS.



9487 King Air Ct , Ashland VA 23005
 www.3starinc.com | sales@3starinc.com | Tel. (804) 550-7202

DESCRIPTION