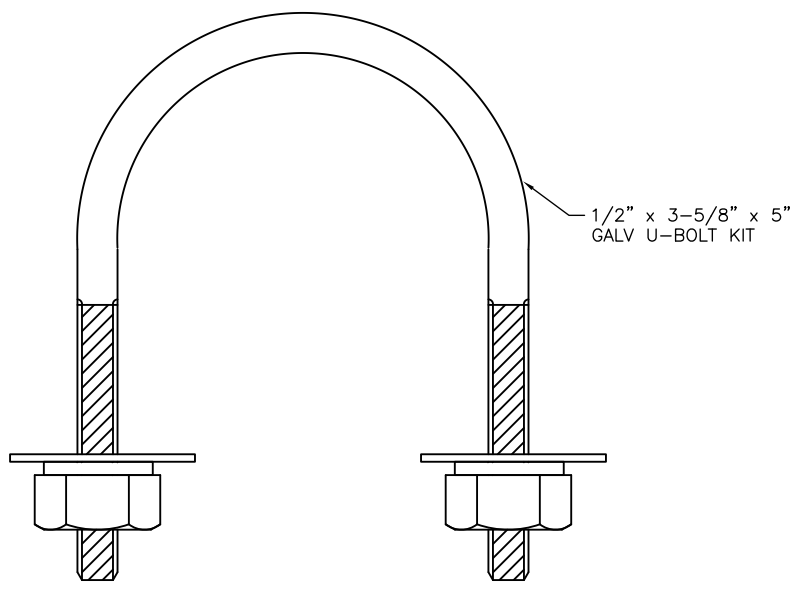
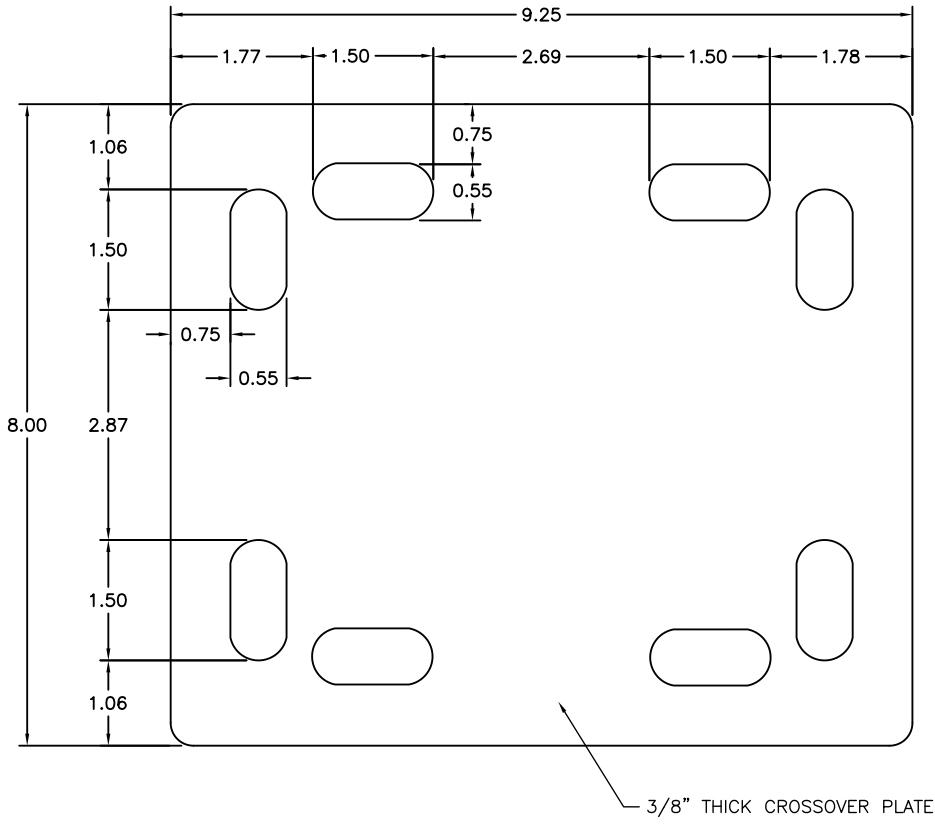


PARTS LIST			
ITEM	QTY	PART NO.	PART DESCRIPTION
1	1	SCX3	3/8" x 8" x 9-1/4" CROSSOVER PLATE
2	4	GUB-4355	1/2" x 3-5/8" x 5" GALV U-BOLT KIT

U-BOLT KIT INCLUDES:
 (1) GALVANIZED U-BOLT
 (2) GALVANIZED LOCK WASHERS
 (2) GALVANIZED FLAT WASHERS
 (2) GALVANIZED NUTS



FINISH:
HOT DIP GALVANIZED

WEIGHT:
11.0LBS.



9487 King Air Ct , Ashland VA 23005
 www.3starinc.com | sales@3starinc.com | Tel. (804) 550-7202

DESCRIPTION