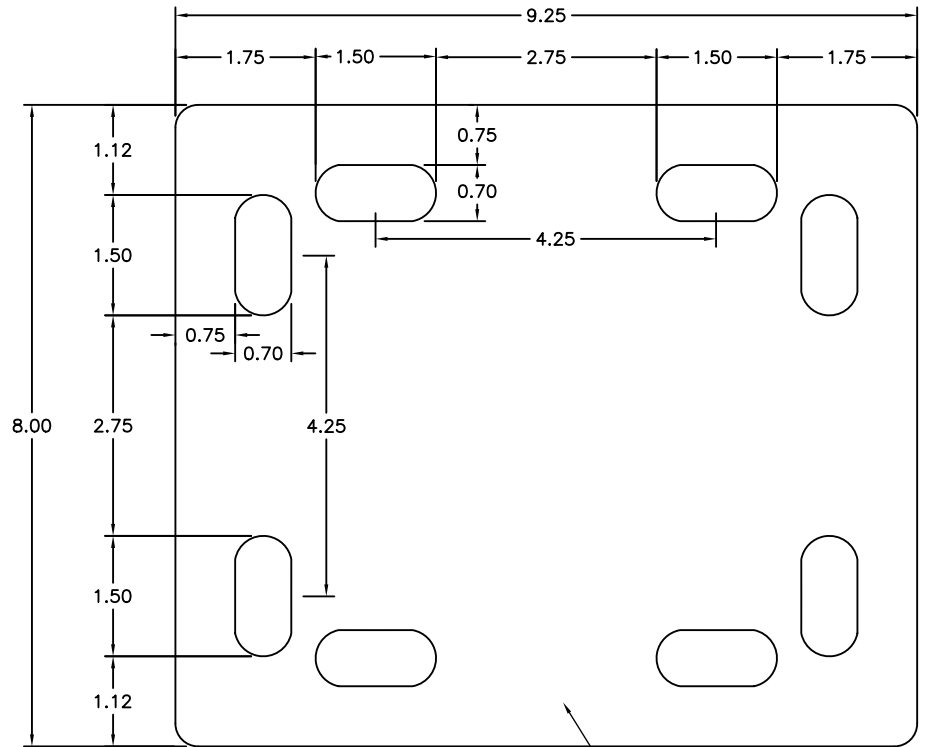
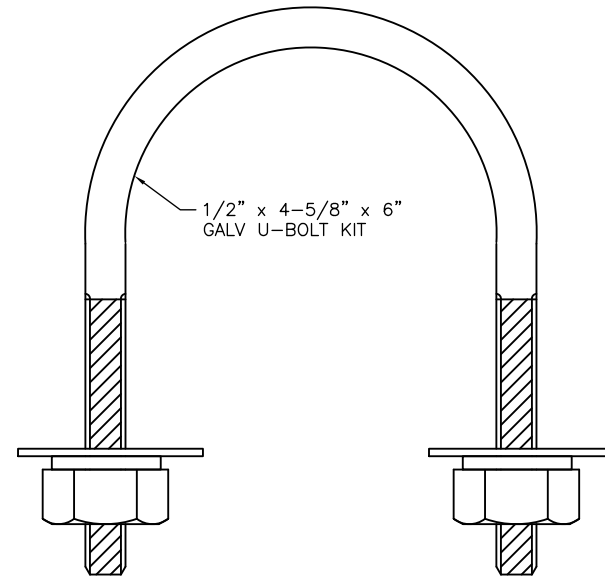


PARTS LIST			
ITEM	QTY	PART NO.	PART DESCRIPTION
1	1	PLATE	3/8" x 8" x 9-1/4" CROSSOVER PLATE
2	4	U-BOLT	1/2" x 4-5/8" x 6" GALV U-BOLT KIT

**U-BOLT KIT INCLUDES:**  
 (1) GALVANIZED U-BOLT  
 (2) GALVANIZED LOCK WASHERS  
 (2) GALVANIZED FLAT WASHERS  
 (2) GALVANIZED NUTS



3/8" THICK CROSSOVER PLATE



**FINISH:**  
HOT DIP GALVANIZED

**WEIGHT:**  
15LBS.



9487 King Air Ct , Ashland VA 23005  
 www.3starinc.com | sales@3starinc.com | Tel. (804) 550-7202

DESCRIPTION