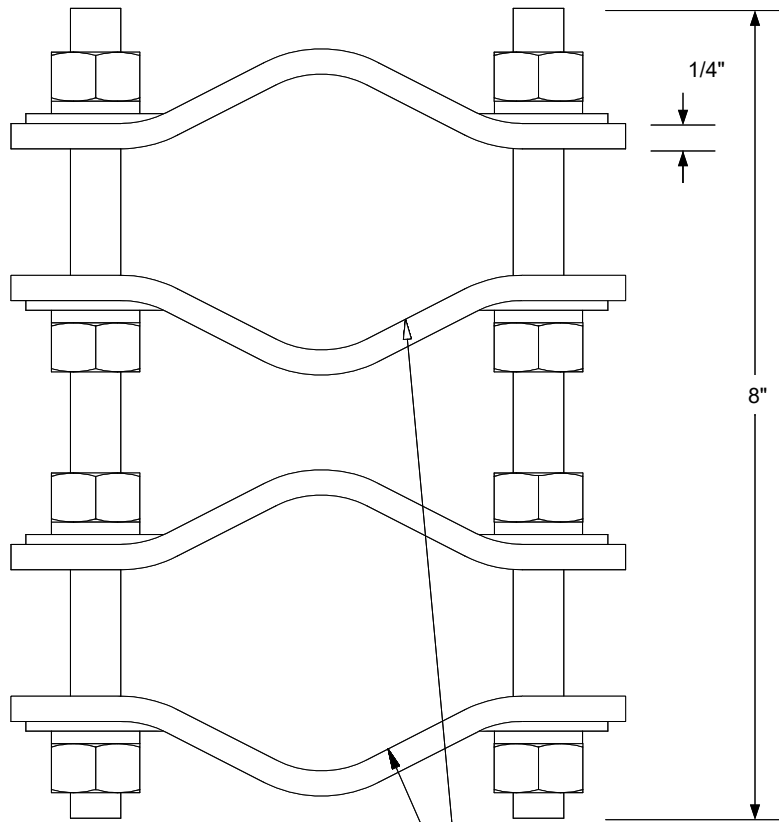


TITLE

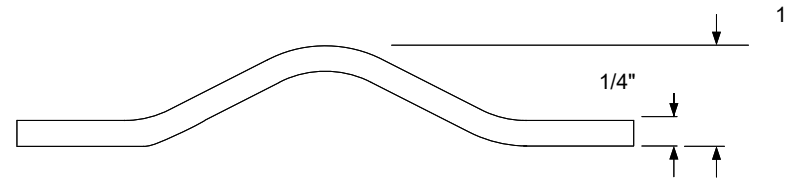
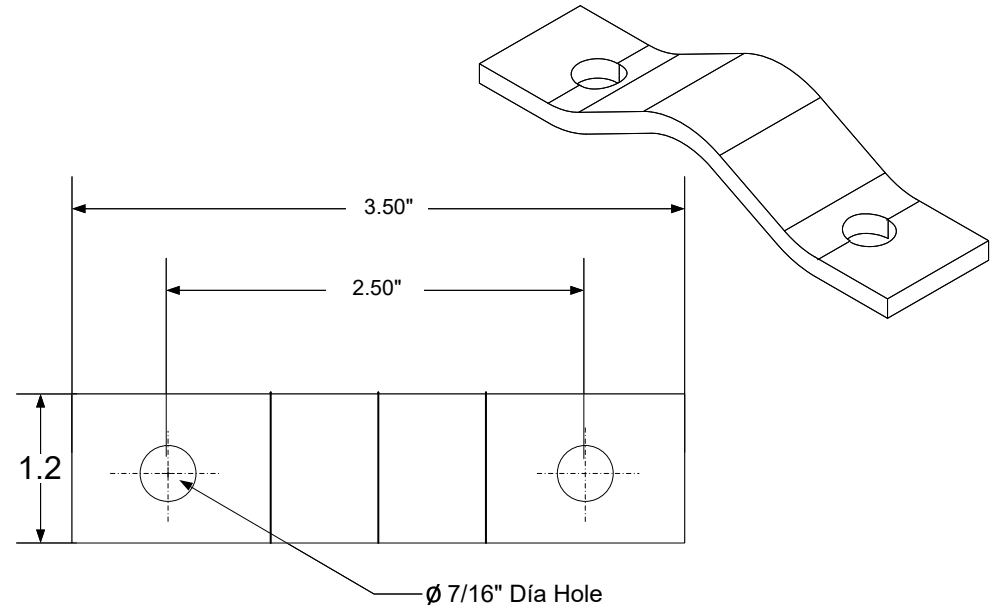
PART # 3S-10-7

Parts List

QTY.		
4	1/4" THICK, 3-50" LONG	CLAMP HALF
2	3/8" x 7"	HDG THREADED ROD
8	3/8"	HDG HEX NUT
8	3/8"	HDG LOCKWASHER
8	3/8"	HDG USS FLATWASHER



FITS 3/4" TO 2.00" PIPE O.D.



3 Star Inc
 9487 King Air Court Suite C Ashland, VA 23005
 www.3starinc.com | sales@3starinc.com | Tel: (804) 550-7202

DESCRIPTION Heavy Duty Antenna Pipe to Pipe Mount 3/4" to 2.00	Visit us on the web at www.3starinc.com Contact Email: support@3starinc.com Phone: (804) 550-7202		
			9487 King Air Ct. Unit C Ashland, VA 23005 USA