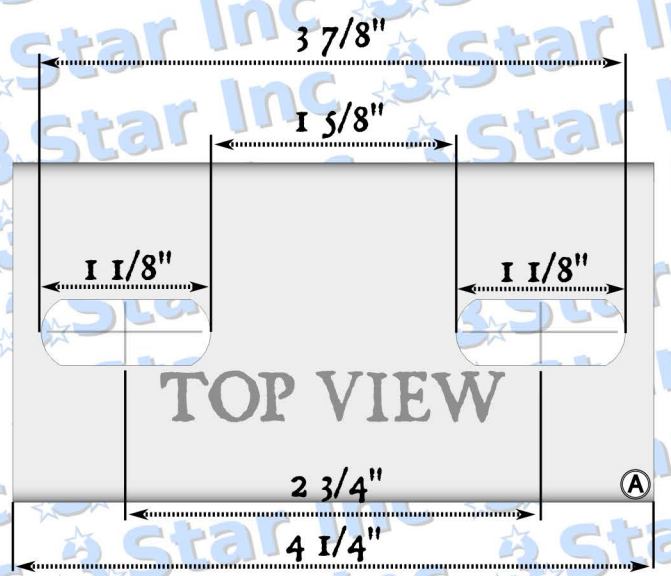
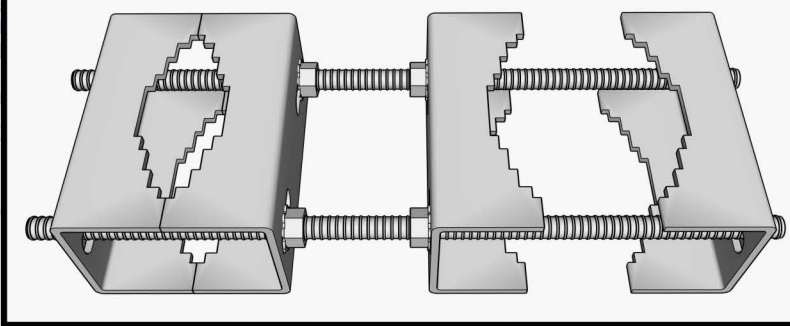
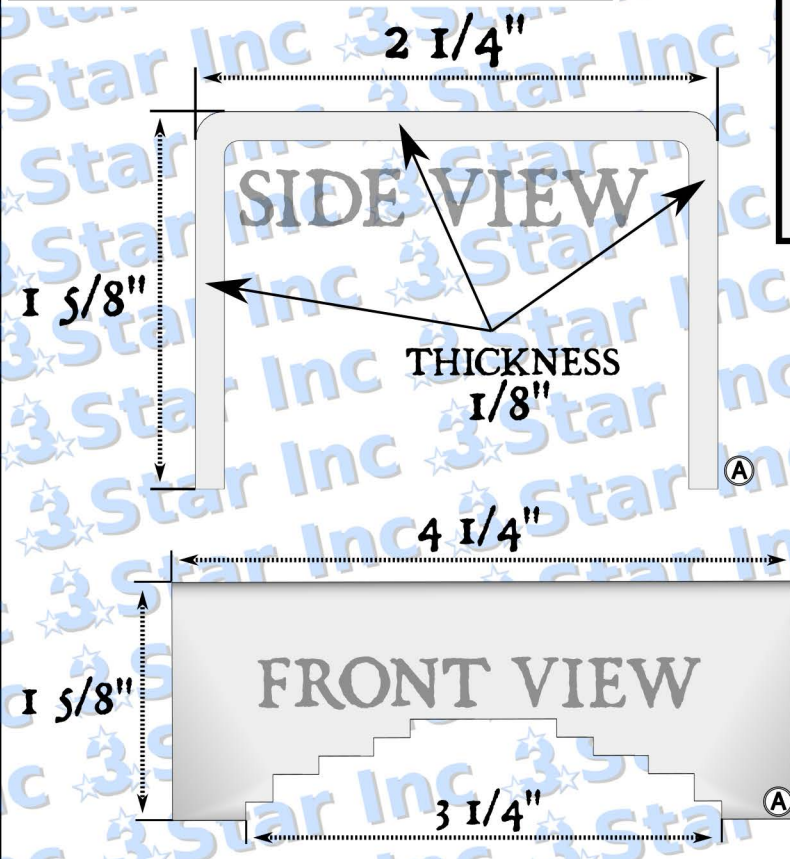
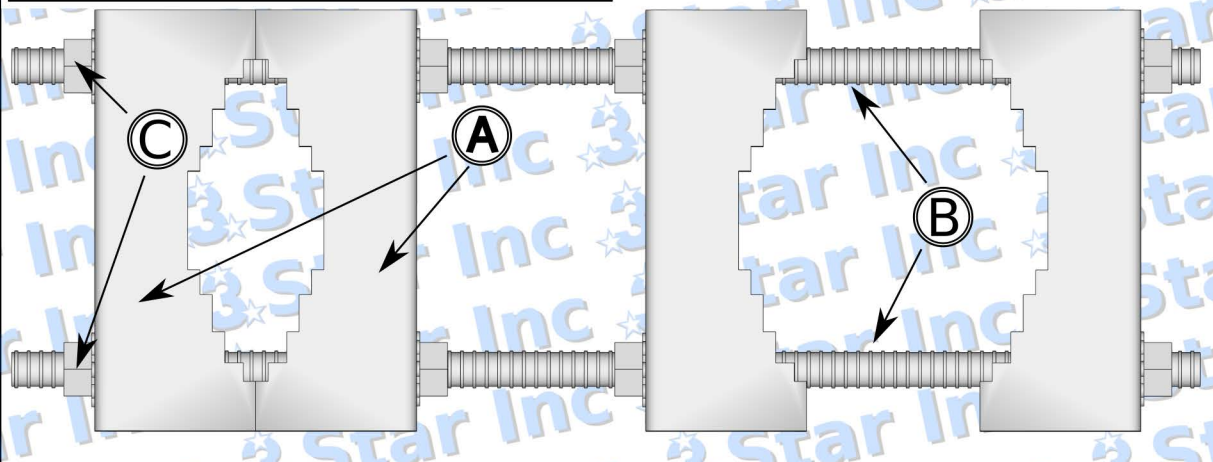


SPECIFICATION



INSTALLATION



NOTES
 MATERIAL II GAUGE
 ZINC PLATED
 FOR MOST SIZES:
1.66" TO 3"

TABLE OF CONTENTS

- (A) ALLIGATOR CLAMP - MEDIUM
- (B) 3/8 X 12" THREADED ROD
- (C) 3/8 FLG NUT

PARTS

