



NP

NON-PENETRATING ROOF MOUNTS

Product Features:

These non-penetrating roof mounts are constructed of steel and use standard concrete blocks to anchor. For use with DBS, antenna, and satellite internet systems.

NP-60-125

60 Mast with 1.25 O.D.

OPTIONAL: 1.25 x 5' Swage Mast Extension

NP-60-150

60 Mast with 1.50 O.D.

OPTIONAL: 1.50 x 5' Swage Mast Extension

NP-60-166

60 Mast with 1.66 O.D.

OPTIONAL: 1.66 x 5' Swage Mast Extension

NP-60-200

60 Mast with 1.25 O.D.

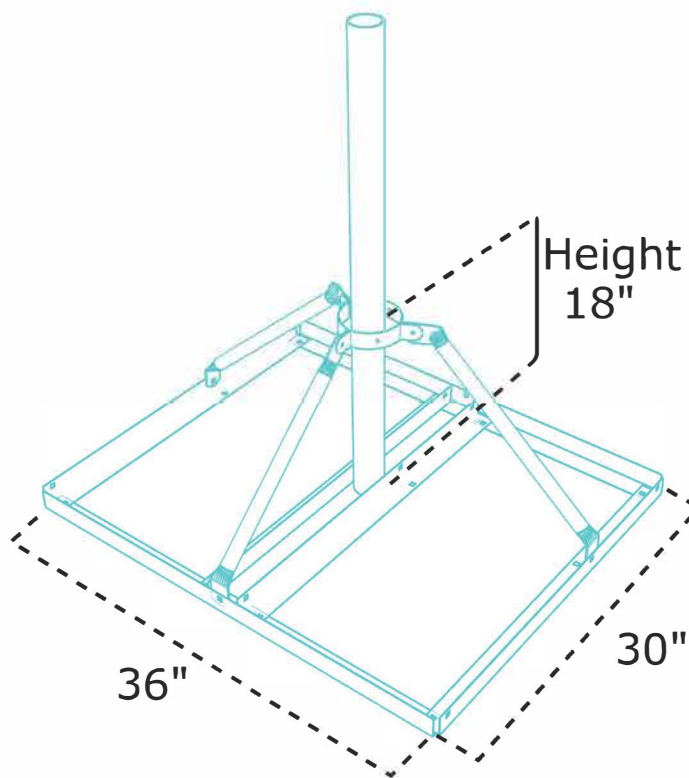
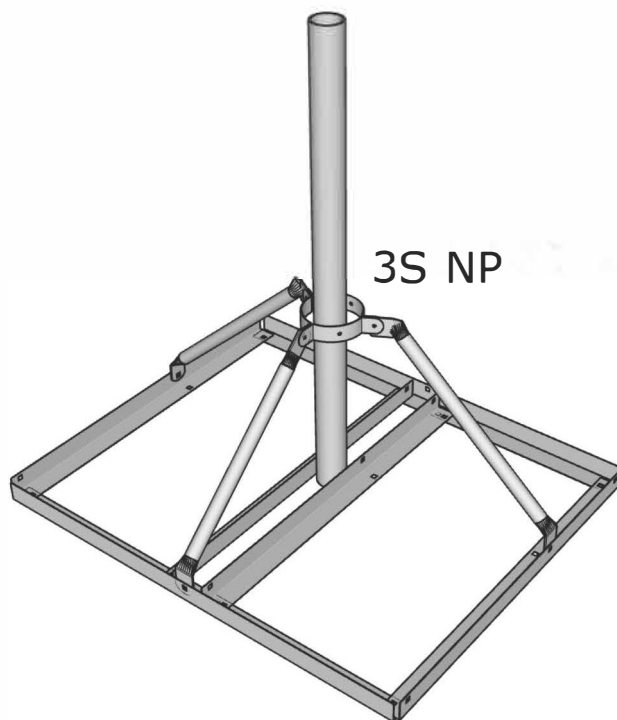
NP-60-225

60 Mast with 1.25 O.D.

NP-60-238

60 Mast with 1.25 O.D.

The Non-Penetrating roof mount for Antenna's, WiFi, and satellite dishes is the model NP. The mount is primarily constructed of pre-galvanized angular and tubular steel. The mount tray is constructed of 12 GA. Steel as to allow up to 8 standard size concrete block to be used as ballast for the mount.



www.3starinc.com

3 Star Inc

9487 King Air Court
Ashland, VA 23005

Phone: (804) 550-7202
Fax: (804) 550-7204