

1. Ballast
2. Base Angles
3. Support Bars

SECURE THE BRACE TUBES TO THE MAST USING 5/16" x 3-1/2" CARRIAGE BOLTS W/ NUT AND LOCK WASHER, TYP 2 PLACES

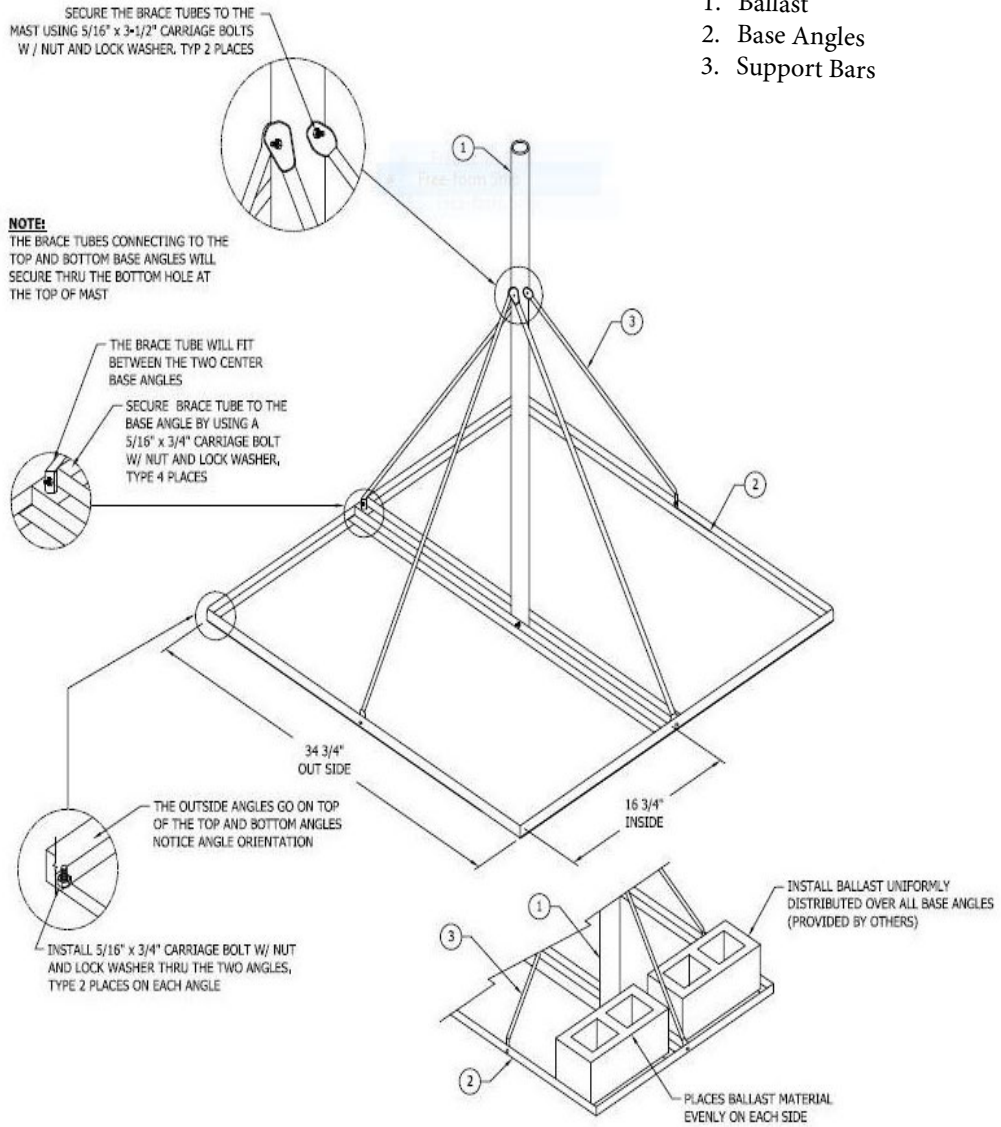
NOTE:
 THE BRACE TUBES CONNECTING TO THE TOP AND BOTTOM BASE ANGLES WILL SECURE THRU THE BOTTOM HOLE AT THE TOP OF MAST

THE BRACE TUBE WILL FIT BETWEEN THE TWO CENTER BASE ANGLES

SECURE BRACE TUBE TO THE BASE ANGLE BY USING A 5/16" x 3/4" CARRIAGE BOLT W/ NUT AND LOCK WASHER, TYPE 4 PLACES

THE OUTSIDE ANGLES GO ON TOP OF THE TOP AND BOTTOM ANGLES NOTICE ANGLE ORIENTATION

INSTALL 5/16" x 3/4" CARRIAGE BOLT W/ NUT AND LOCK WASHER THRU THE TWO ANGLES, TYPE 2 PLACES ON EACH ANGLE



BALLAST MATERIAL DETAIL