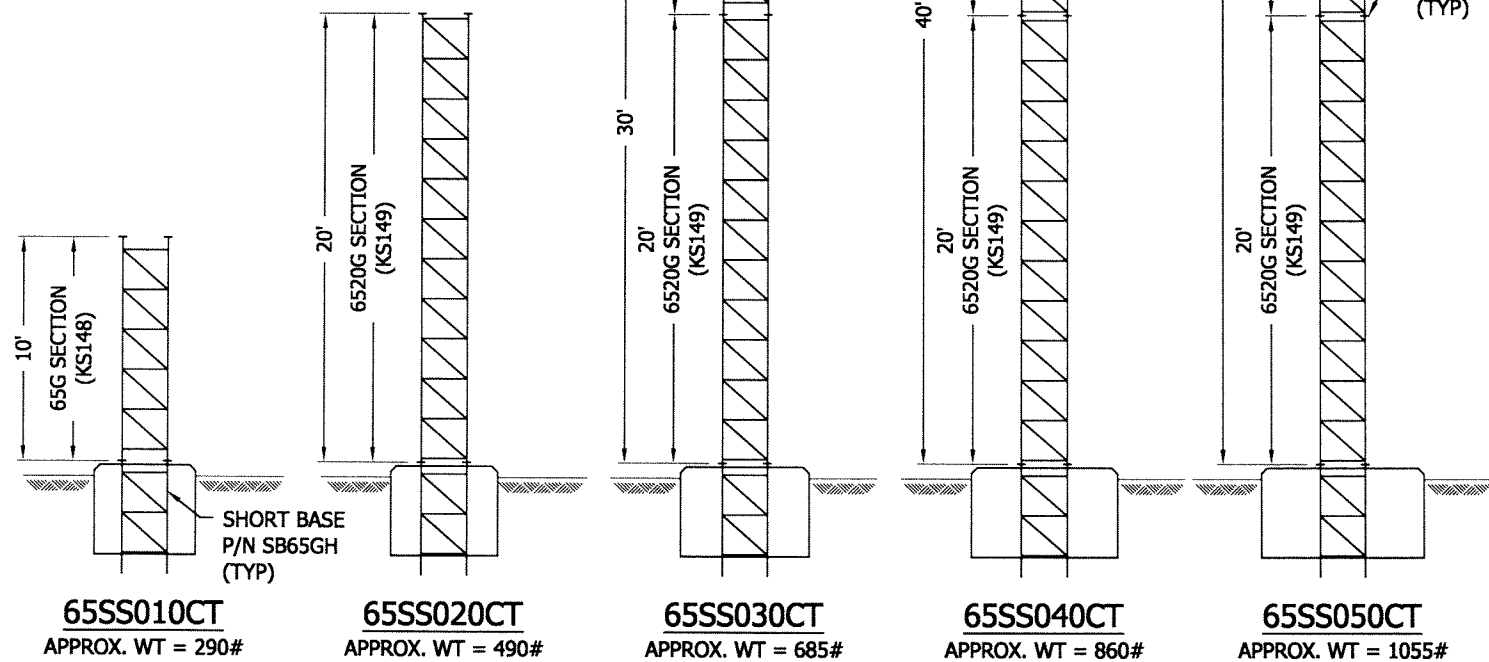


NOTE: REV.G: 110 MPH 3-SEC GUST WIND SPEED (NO ICE),  
40 MPH 3-SEC GUST WIND SPEED (3/4" ICE),  
CLASS II, EXPOSURE C, TOPO CATEGORY 1  
SEISMIC COEFFICIENT  $S_s \leq 1.0$

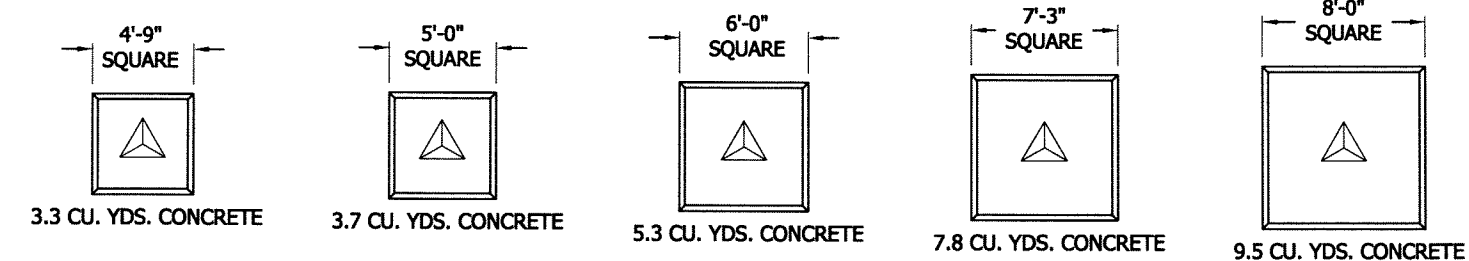
TOWER HEIGHT	MAX. TIP DEFLECTION AT 60 MPH
10'	0.10"
20'	0.10"
30'	0.40"
40'	1.00"
50'	1.80"

**MAXIMUM LOAD AT TOP**

TOWER HEIGHTS	EPA	
	NO ICE	WITH ICE
10' - 40'	14.5 FT <sup>2</sup> .	29.0 FT <sup>2</sup> .
50'	7.0 FT <sup>2</sup> .	14.0 FT <sup>2</sup> .

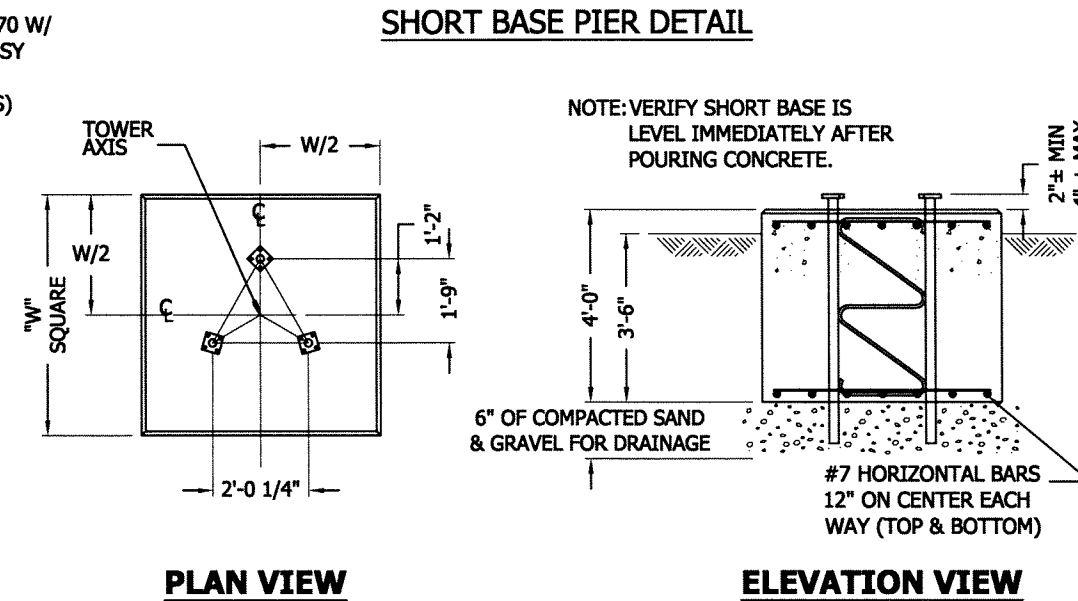


**ELEVATION VIEW**



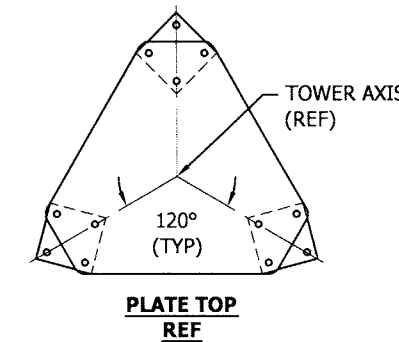
**PLAN VIEW**

**SHORT BASE PIER DETAIL**



**PLAN VIEW**

**ELEVATION VIEW**



**PLATE TOP REF**

**GENERAL NOTES:**

- TOWER DESIGNS ARE IN ACCORDANCE WITH APPROVED NATIONAL STANDARD ANSI/TIA-222-G.
- ALL TOWERS MUST HAVE "FIXED BASES". PINNED BASES MUST NOT BE USED.
- TOWER DESIGN ASSUMES ONE 7/8" LINE ON EACH TOWER FACE.
- CAMERA AND MOUNT ASSUMED SYMMETRICALLY PLACED AT TOWER TOP.
- DO NOT INSTALL OR DISMANTLE TOWERS WITHIN FALLING DISTANCE OF ELECTRICAL AND/OR TELEPHONE LINES.
- TOWER ERECTION AND DISMANTLING MUST BE DONE BY QUALIFIED AND EXPERIENCED PERSONNEL.
- INSTALL WARNING PLATE (P/N ACWS) IN HIGHLY VISIBLE LOCATIONS.
- WHERE APPLICABLE, ALL CAMERA INSTALLATIONS MUST BE GROUNDED IN ACCORDANCE WITH LOCAL AND NATIONAL CODES.
- TOWER DESIGN ASSUMES WORK PLATFORM (P/N WPCC65) MOUNTED 5' BELOW TOWER TOP (OPTIONAL).
- A SAFETY DEVICE (OPTIONAL) IS RECOMMENDED FOR CLIMBING THE TOWER.
- WORK SHALL BE IN ACCORDANCE WITH ANSI/TIA/222-G, "STRUCTURAL STANDARDS FOR STEEL ANTENNA TOWERS AND ANTENNA SUPPORTING STRUCTURES".
- A LOCKING DEVICE IS PROVIDED FOR ALL TOWER BOLTS.
- PER REV. G REQUIREMENTS, ANY STRUCTURE GREATER THAN 10' REQUIRES A CLIMBER SAFETY DEVICE.
- TOWER TOP PLATE CAMERA MOUNTING HOLES ARE TO BE FIELD DRILLED, AND ORIENTATION IS TO BE PROVIDED BY OTHERS.
- STANDARD MAT FOUNDATIONS ARE BASED ON REV. 'G' PRESUMPTIVE CLAY PARAMETERS.
- FOR ANSI/TIA-222-G STANDARD FOUNDATION NOTES, REFER TO DRAWING NUMBER B090548.

REVISIONS				
REV.	DESCRIPTION	DWN	CHK	APP
7	REVISED NOTES	ZAW	KTL	HA
DATE: 3/10/2015				



THIS DRAWING IS THE PROPERTY OF ROHN. IT IS NOT TO BE REPRODUCED, COPIED OR TRACED IN WHOLE OR IN PART WITHOUT OUR WRITTEN CONSENT.

**65G SELF SUPPORT CAMERA TOWER**

DWN: JPG	CHK'D: HA	DATE: May/15/2005
ENG'R: HA	SHEET #: 1 OF 1	
PRJ. ENGR:	PRJ. MANG'R:	
DRAWING NO: C911256	REV: 7	

**STANDARD FOUNDATION NOTES  
ANSI/TIA-222-G**

FILE NO.

REVISIONS				
REV.	DESCRIPTION	DWN	CHK	APP
	REVISED NOTE 7 TO 4500 PSI			
2	DATE: 2/10/2014	JHY	HA	HA

1. STANDARD FOUNDATION DESIGNS ARE IN ACCORDANCE WITH ANSI/TIA-222-G, "STRUCTURAL STANDARDS FOR STEEL ANTENNA TOWERS AND ANTENNA SUPPORTING STRUCTURES", SECTION 9 AND ANNEX F FOR THE FOLLOWING PRESUMPTIVE CLAY SOIL PARAMETERS:

N (blows/ft) [blows/m]	Φ (deg)	Y (lb/ft <sup>3</sup> ) [kN/m <sup>3</sup> ]	C (psf) [kPa]	Ultimate Bearing (psf) [kPa]		Ultimate Skin Friction (psf) [kPa]	k (pci) [kN/m <sup>3</sup> ]	ε <sub>50</sub>
				Shallow Fnds.	Deep Fnds.			
8 [26]	0	110 [17]	1000 [48]	5000 [240]	9000 [431]	500 [24]	150 [41,000]	0.01

- THE PURCHASER MUST VERIFY THAT ACTUAL SITE SOIL PARAMETERS MEET OR EXCEED ANSI/TIA-222-G PRESUMPTIVE CLAY SOIL DESIGN PARAMETERS AND THAT THE PENETRATION AND/OR ZONE OF SEASONAL MOISTURE VARIATION AT THE SITE. FOUNDATION DESIGN MODIFICATIONS MAY BE REQUIRED IN THE EVENT PRESUMPTIVE CLAY SOIL PARAMETERS ARE NOT APPLICABLE FOR THE ACTUAL SUBSURFACE CONDITIONS ENCOUNTERED.
- A SITE-SPECIFIC INVESTIGATION IS REQUIRED FOR CLASS III STRUCTURES IN ACCORDANCE WITH ANSI/TIA-222-G.
- FOUNDATION DESIGNS ASSUME FIELD INSPECTIONS WILL BE PERFORMED BY THE PURCHASER'S REPRESENTATIVE TO VERIFY THAT CONSTRUCTION MATERIALS, INSTALLATION METHODS AND ASSUMED DESIGN PARAMETERS ARE ACCEPTABLE BASED ON THE CONDITIONS EXISTING AT THE SITE.
- WORK SHALL BE IN ACCORDANCE WITH LOCAL CODES, SAFETY REGULATIONS AND UNLESS OTHERWISE NOTED, THE LATEST REVISION OF ACI 318, "BUILDING CODE REQUIREMENTS FOR REINFORCED CONCRETE". PROCEDURES FOR THE PROTECTION OF EXCAVATIONS, EXISTING CONSTRUCTION AND UTILITIES SHALL BE ESTABLISHED PRIOR TO FOUNDATION INSTALLATION.
- CONCRETE MATERIALS SHALL CONFORM TO THE APPROPRIATE STATE REQUIREMENTS FOR EXPOSED STRUCTURAL CONCRETE.
- PROPORTIONS OF CONCRETE MATERIALS SHALL BE SUITABLE FOR THE INSTALLATION METHOD UTILIZED AND SHALL RESULT IN DURABLE CONCRETE FOR RESISTANCE TO LOCAL ANTICIPATED AGGRESSIVE ACTIONS. THE DURABILITY REQUIREMENT OF ACI 318 CHAPTER 4 SHALL BE SATISFIED BASED ON THE CONDITIONS EXPECTED AT THE SITE. AS A MINIMUM, CONCRETE SHALL DEVELOP A MINIMUM COMPRESSIVE STRENGTH OF 4500 PSI (31.0 MPa) IN 28 DAYS.
- MAXIMUM SIZE OF AGGREGATE SHALL NOT EXCEED SIZE SUITABLE FOR INSTALLATION METHOD UTILIZED OR 1/3 CLEAR DISTANCE BEHIND OR BETWEEN REINFORCING. MAXIMUM SIZE MAY BE INCREASED TO 2/3 CLEAR DISTANCE PROVIDED WORKABILITY AND METHODS OF CONSOLIDATION SUCH AS VIBRATING WILL PREVENT HONEYCOMBS OR VOIDS.
- REINFORCEMENT SHALL BE DEFORMED AND CONFORM TO THE REQUIREMENTS OF ASTM A615 GRADE 60 UNLESS OTHERWISE NOTED. SPLICES IN REINFORCEMENT SHALL NOT BE ALLOWED UNLESS OTHERWISE INDICATED.
- REINFORCING CAGES SHALL BE BRACED TO RETAIN PROPER DIMENSIONS DURING HANDLING, THROUGHOUT PLACEMENT OF CONCRETE AND DURING EXTRACTION OF TEMPORARY CASING.
- WELDING IS PROHIBITED ON REINFORCING STEEL AND EMBEDMENTS.

- MINIMUM CONCRETE COVER FOR REINFORCEMENT SHALL BE 3 INCHES (76 mm) UNLESS OTHERWISE NOTED. APPROVED SPACERS SHALL BE USED TO INSURE A 3 INCH (76 mm) MINIMUM COVER ON REINFORCEMENT. CONCRETE COVER FROM TOP OF FOUNDATION TO ENDS OF VERTICAL REINFORCEMENT SHALL NOT EXCEED 3 INCHES (76 mm) NOR BE LESS THAN 2 INCHES (51 mm).
- SPACERS SHALL BE ATTACHED INTERMITTENTLY THROUGHOUT THE ENTIRE LENGTH OF VERTICAL REINFORCING CAGES TO INSURE CONCENTRIC PLACEMENT OF CAGES IN EXCAVATIONS.
- FOUNDATION DESIGNS ASSUME STRUCTURAL BACKFILL TO BE COMPACTED IN 8 INCH (200 mm) MAXIMUM LAYERS TO 95% OF MAXIMUM DRY DENSITY AT OPTIMUM MOISTURE CONTENT IN ACCORDANCE WITH ASTM D698. ADDITIONALLY, STRUCTURAL BACKFILL MUST HAVE A MINIMUM COMPACTED UNIT WEIGHT OF 100 POUNDS PER CUBIC FOOT (16 kN/m<sup>3</sup>).
- FOUNDATION DESIGNS ASSUME LEVEL GRADE AT THE SITE.
- FOUNDATION INSTALLATION SHALL BE SUPERVISED BY PERSONNEL KNOWLEDGEABLE AND EXPERIENCED WITH THE PROPOSED FOUNDATION TYPE. CONSTRUCTION SHALL BE IN ACCORDANCE WITH GENERALLY ACCEPTED INSTALLATION PRACTICES.
- FOR FOUNDATION AND ANCHOR TOLERANCES SEE DRAWING A810214.
- LOOSE MATERIAL SHALL BE REMOVED FROM BOTTOM OF EXCAVATION PRIOR TO CONCRETE PLACEMENT. SIDES OF EXCAVATION SHALL BE ROUGH AND FREE OF LOOSE CUTTINGS.
- CONCRETE SHALL BE PLACED IN A MANNER THAT WILL PREVENT SEGREGATION OF CONCRETE MATERIALS, INFILTRATION OF WATER OR SOIL AND OTHER OCCURRENCES WHICH MAY DECREASE THE STRENGTH OR DURABILITY OF THE FOUNDATION.
- FREE FALL CONCRETE MAY BE USED PROVIDED FALL IS VERTICAL DOWN WITHOUT HITTING SIDES OF EXCAVATION, FORMWORK, REINFORCING BARS, FORM TIES, CAGE BRACING OR OTHER OBSTRUCTIONS. UNDER NO CIRCUMSTANCES SHALL CONCRETE FALL THROUGH WATER.
- CONCRETE SHALL BE PLACED AGAINST UNDISTURBED SOIL EXCEPT FOR PIERS OR PIER AND PAD FOUNDATIONS. FORMS FOR PIERS SHALL BE REMOVED PRIOR TO PLACING STRUCTURAL BACKFILL.
- CONSTRUCTION JOINTS, IF REQUIRED IN PIER MUST BE AT LEAST 12 INCHES (305 mm) BELOW BOTTOM OF EMBEDMENTS AND MUST BE INTENTIONALLY ROUGHENED TO A FULL AMPLITUDE OF 1/4 INCH (6 mm). FOUNDATION DESIGN ASSUMES NO OTHER CONSTRUCTION JOINTS.
- CASING, IF USED, SHALL NOT BE LEFT IN PLACE. EQUIPMENT, PROCEDURES, AND PROPORTIONS OF CONCRETE MATERIALS SHALL INSURE CONCRETE WILL NOT BE ADVERSELY DISTURBED UPON CASING REMOVAL. DRILLING FLUID, IF USED, SHALL BE FULLY DISPLACED BY CONCRETE AND SHALL NOT BE DETRIMENTAL TO CONCRETE OR SURROUNDING SOIL. CONTAMINATED CONCRETE SHALL BE REMOVED FROM TOP OF FOUNDATION AND REPLACED WITH FRESH CONCRETE.
- TOP OF FOUNDATION SHALL BE SLOPED TO DRAIN WITH A FLOATED FINISHED. EXPOSED EDGES OF CONCRETE SHALL BE CHAMFERED 3/4" X 3/4" (19 mm X 19 mm) MINIMUM.
- FOR ANCHOR BLOCK TYPE FOUNDATIONS, FOR GUYED TOWERS, ADDITIONAL CORROSION PROTECTION MAY BE REQUIRED FOR STEEL GUY ANCHORS IN DIRECT CONTACT WITH SOIL. DESIGN ASSUMES PERIODIC INSPECTIONS WILL BE PERFORMED OVER THE LIFE OF THE STRUCTURE TO DETERMINE IF ADDITIONAL ANCHOR CORROSION PROTECTION MEASURES MUST BE IMPLEMENTED BASED ON OBSERVED SITE-SPECIFIC CONDITIONS.



PO BOX 5999  
PEORIA, IL 61601-5999  
TOLL FREE 800-727-ROHN

THIS DRAWING IS THE PROPERTY OF ROHN. IT IS NOT TO BE REPRODUCED, COPIED OR TRACED IN WHOLE OR IN PART WITHOUT OUR WRITTEN CONSENT.

**ANSI/TIA-222-G  
STANDARD FOUNDATION NOTES**

DWN: FAD	CHK'D: HA	DATE: Nov/20/2009
ENG'R: HA	SHEET #: 1 OF 1	
PRJ. ENG'R:	PRJ. MANG'R:	
DRAWING NO: B090548	REV: 2	

**FOUNDATION AND ANCHOR TOLERANCES**  
**ALL FOUNDATIONS**

1. CONCRETE DIMENSIONS - PLUS OR MINUS 1" (25mm).
2. DEPTH OF FOUNDATION - PLUS 3" (76mm) OR MINUS 0".
3. DRILLED FOUNDATIONS OUT OF PLUMB - 1.0 DEGREE.
4. REINFORCING STEEL PLACEMENT - PER A.C.I. 301.
5. PROJECTION OF EMBEDMENTS - PLUS OR MINUS 1/8" (3mm).
6. VERTICAL EMBEDMENTS OUT OF PLUMB - 0.5 DEGREE.

**ANCHOR BOLTS**

7. MAXIMUM DISTANCE FROM CENTERLINE OF ANCHOR BOLTS TO CENTERLINE OF FOUNDATION - 1/24 OF PIER DIAMETER UP TO A MAXIMUM OF 2" (51mm).
8. ANCHOR BOLT SPACING - 1/16" (2mm).
9. ANCHOR BOLT CIRCLE ORIENTATION - 0.25 DEGREE.
10. ANCHOR BOLT CIRCLE DIAMETER - PLUS OR MINUS 1/16" (2mm).

**SELF-SUPPORTING TOWERS**

11. FACE SPREAD DIMENSION CENTER TO CENTER OF ANCHOR BOLT CIRCLES - PLUS OR MINUS 1/16" (2mm) OR 1/16" (2mm) PER 20 FT. (6m) OF FACE SPREAD.
12. MAXIMUM DIFFERENCE BETWEEN ANY TWO FOUNDATION ELEVATIONS - 1/2" (13mm).


**GUYED TOWERS**

13. GUY RADIUS - PLUS OR MINUS 5% OF DISTANCE SPECIFIED.
14. ANCHOR ELEVATION - PLUS OR MINUS 5% OF GUY RADIUS.
15. ANCHOR ALIGNMENT (PERPENDICULAR TO GUY RADIUS) - 1.0 DEGREE.
16. ANCHOR ROD SLOPE - PLUS OR MINUS 1.0 DEGREE.
17. ANCHOR ROD ALIGNMENT WITH GUY RADIUS PLUS OR MINUS 1.0 DEGREE.
18. ANCHOR HEAD OUT OF PLUMB - 1.0 DEGREE.
19. GUY INITIAL TENSION - PLUS OR MINUS 10% OF TENSION SPECIFIED.

NOTE: TOLERANCES IN NOTES 13 AND 14 CAN NOT OCCUR SIMULTANEOUSLY

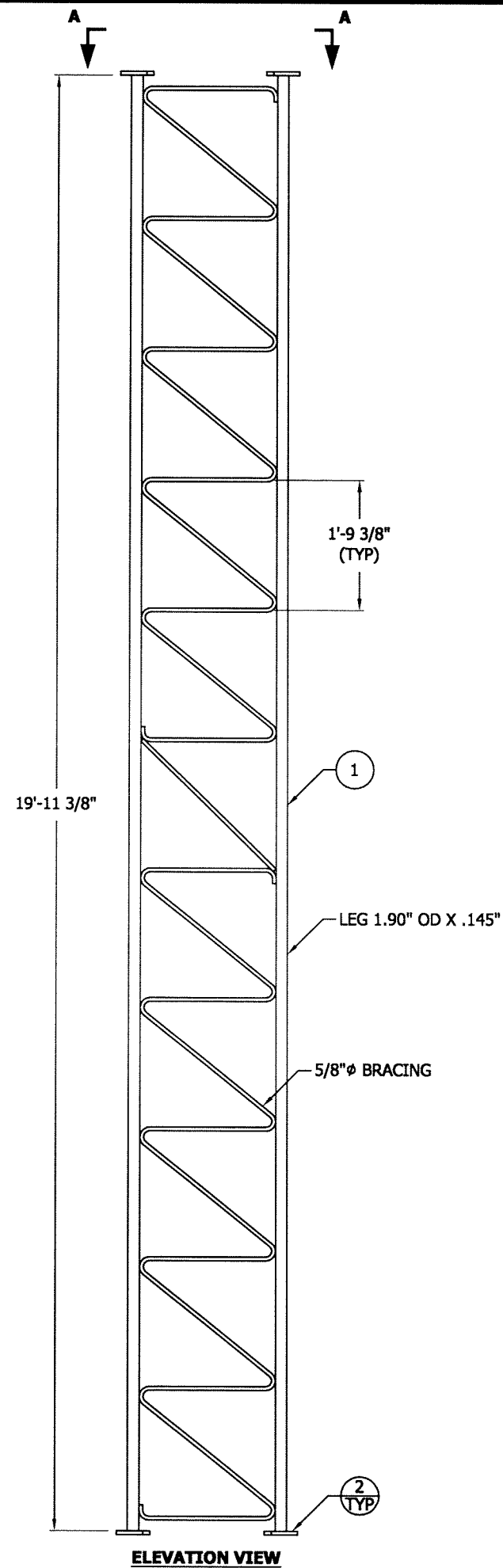
**WARNING!!!**

AFTER ANCHOR BOLTS ARE INSTALLED IN CONCRETE HAS TAKEN ITS INITIAL SET, ANCHOR BOLTS MUST NOT BE MOVED, BENT OR REALIGNED IN ANY MANNER. A NUT LOCKING DEVICE MUST BE INSTALLED ON ALL ANCHOR BOLTS.

FILE NO. <b>Standard-SSV</b>				
REVISIONS				
REV.	DESCRIPTION	DWN	CHK	APP
8	REDRAWN TO AUTOCAD DATE: Jul/17/2006	JDA	JDM	H.A
DWG REFERENCE				
 <p>6718 WEST PLANK ROAD PEORIA, IL 61604 TOLL FREE 800-727-ROHN</p>				
THIS DRAWING IS THE PROPERTY OF ROHN. IT IS NOT TO BE REPRODUCED, COPIED OR TRACED IN WHOLE OR IN PART WITHOUT OUR WRITTEN CONSENT.				
<b>FOUNDATION &amp; ANCHOR TOLERANCE</b>				
DWN:	CSR	CHK'D:	KTL	DATE: Sep/25/1987
ENG'R:	XK			
DRAWING NO:	A810214			REV: 8

Jan/14/2008 3:23:22 PM

I(reacton)



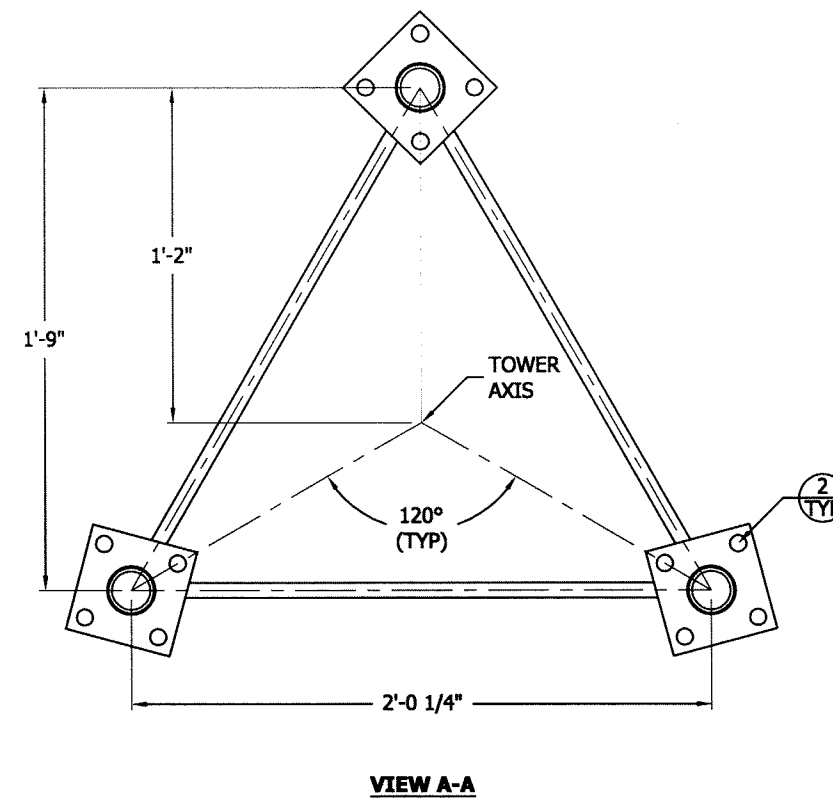
**SECTION ASSEMBLY P/N: 6520G**

**BILL OF MATERIAL**

ITEM	PART NO.	QTY	DESCRIPTION
1	KS149	1	SECTION 65G 20' 1.5STD LEG
2	65JBK	1	JOINT BOLT KIT - 65G

**GENERAL NOTES:**

- PART NUMBER IS STAMPED AT THE BOTTOM OF EACH SECTION AND MUST BE LOCATED AT THE BOTTOM OF THE SECTION FOR PROPER ASSEMBLY.
- JOINT BOLTS ARE PROVIDED AT THE BOTTOM OF THE SECTION.
- DRAWING IS N.T.S. AND IS FOR ASSEMBLY PURPOSES ONLY.



FILE NO.

REVISIONS

REV.	DESCRIPTION	DWN	CHK	APP
1	FIXED DIM NOTATION DATE: Nov/20/2012	JHY	JDM	DWG

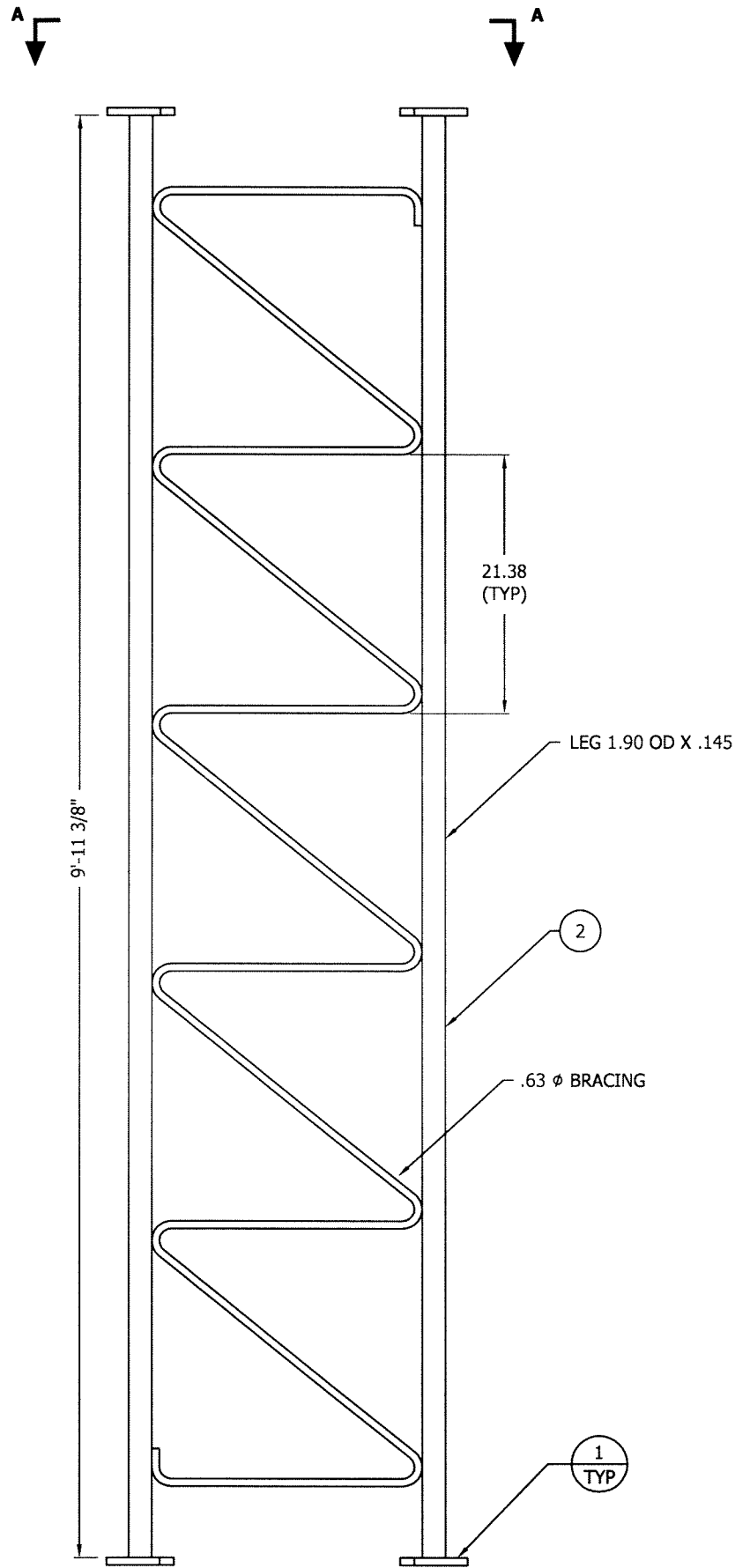
**ROHN**  
PRODUCTS

PO BOX 5999  
PEORIA, IL 61601-5999  
TOLL FREE 800-727-ROHN

THIS DRAWING IS THE PROPERTY OF ROHN. IT IS NOT TO BE REPRODUCED, COPIED OR TRACED IN WHOLE OR IN PART WITHOUT OUR WRITTEN CONSENT.

**SECTION ASSEMBLY FOR 6520G**

DWN: JEC	CHK'D: JDM	DATE: Aug/16/2012
ENGR: DWG	SHEET #: 1 OF 1	
PRJ. ENGR:	PRJ. MANG'R:	
DRAWING NO: 6520G	REV: 1	

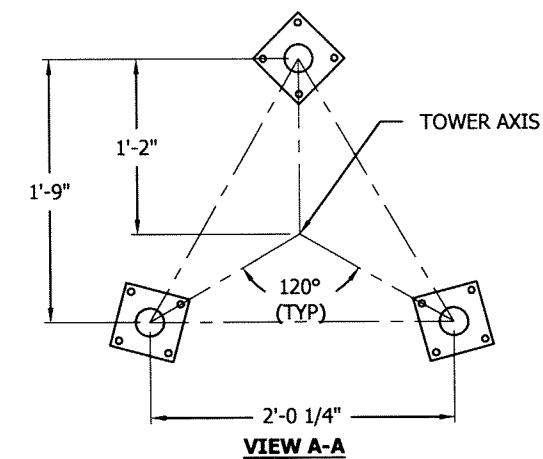


**ELEVATION VIEW**

BILL OF MATERIAL - 65G			
ITEM	PART NO.	QTY	DESCRIPTION
1	65JBK	1	JOINT BOLT KIT - 65G
2	KS148	1	SECTION 65G 10' STD TWR

**GENERAL NOTES:**

- PART NUMBER IS STAMPED AT THE BOTTOM OF EACH SECTION AND MUST BE LOCATED AT THE BOTTOM OF THE SECTION FOR PROPER ASSEMBLY.
- JOINT BOLTS ARE PROVIDED AT THE BOTTOM OF THE SECTION.
- DRAWING IS N.T.S. AND IS FOR ASSEMBLY PURPOSES ONLY.



**VIEW A-A**

FILE NO.				
REVISIONS				
REV	DESCRIPTION	DWN	CHK	APP
1	FIXED VIEW A-A DATE: 02/01/13	CEJ	JDM	HA



PO BOX 5999  
PEORIA, IL 61601-5999  
TOLL FREE 800-727-ROHN

THIS DRAWING IS THE PROPERTY OF ROHN. IT IS NOT TO BE REPRODUCED, COPIED OR TRACED IN WHOLE OR IN PART WITHOUT OUR WRITTEN CONSENT.

**SECTION ASSEMBLY FOR 65G**

DWN: JEC	CHK'D: JDM	DATE: 8/16/2012
ENG'R: DWG	SHEET #: 1 OF 1	
PRJ. ENG'R:	PRJ. MANG'R:	
DRAWING NO: 65G	REV: 1	

FILE NO.

REVISIONS

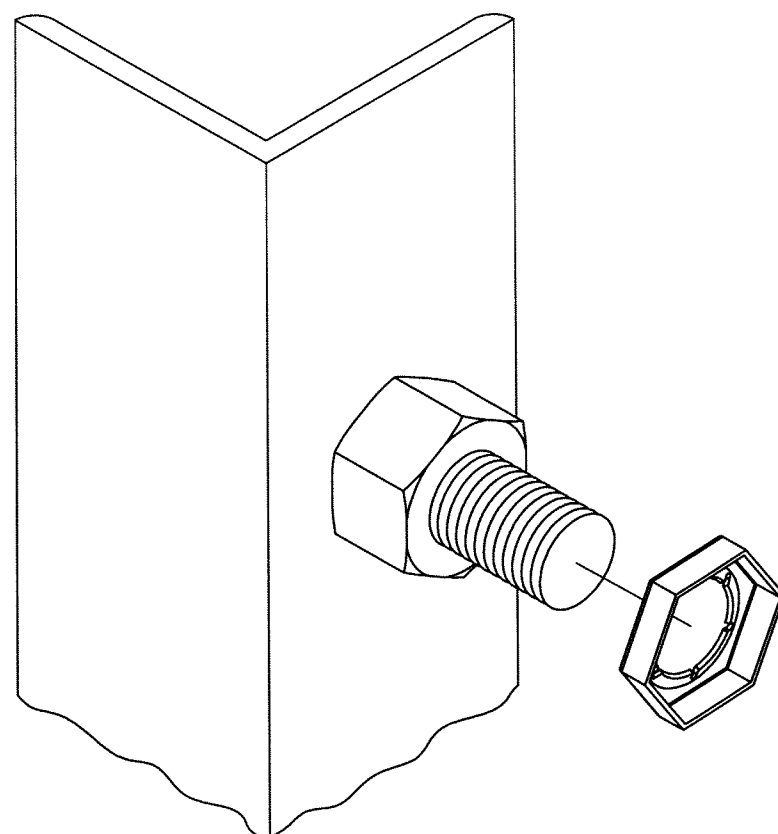
REV.	DESCRIPTION	DWN	CHK	APP
7	CHANGE NOTATION. DATE: 01/11/12	JEC	JDM	HA

**ASSEMBLY BOLT INSTALLATION**

1. UNLESS OTHERWISE SPECIFIED, ASSEMBLY BOLTS AND ANCHOR BOLTS ARE TO BE TIGHTENED TO A SNUG TIGHT CONDITION (MEMBERS IN FIRM CONTACT) AND MUST INCLUDE A NUT LOCKING DEVICE. NO MINIMUM BOLT TENSION OR TORQUE VALUES ARE REQUIRED. WHEN LOCK WASHERS ARE PROVIDED AS A NUT LOCKING DEVICE, REPLACE ANY DAMAGED WASHERS DUE TO OVER TIGHTENING.
2. WASHERS ARE TO BE INSTALLED OVER SLOTTED HOLES.

**PAL NUT INSTALLATION**

1. PAL NUTS ARE TO BE INSTALLED AFTER NUTS ARE TIGHT AND WITH EDGE LIP OUT (SEE PICTURE). PAL NUTS ARE NOT REQUIRED WHEN SELF-LOCKING NUTS OR LOCK WASHERS ARE PROVIDED.

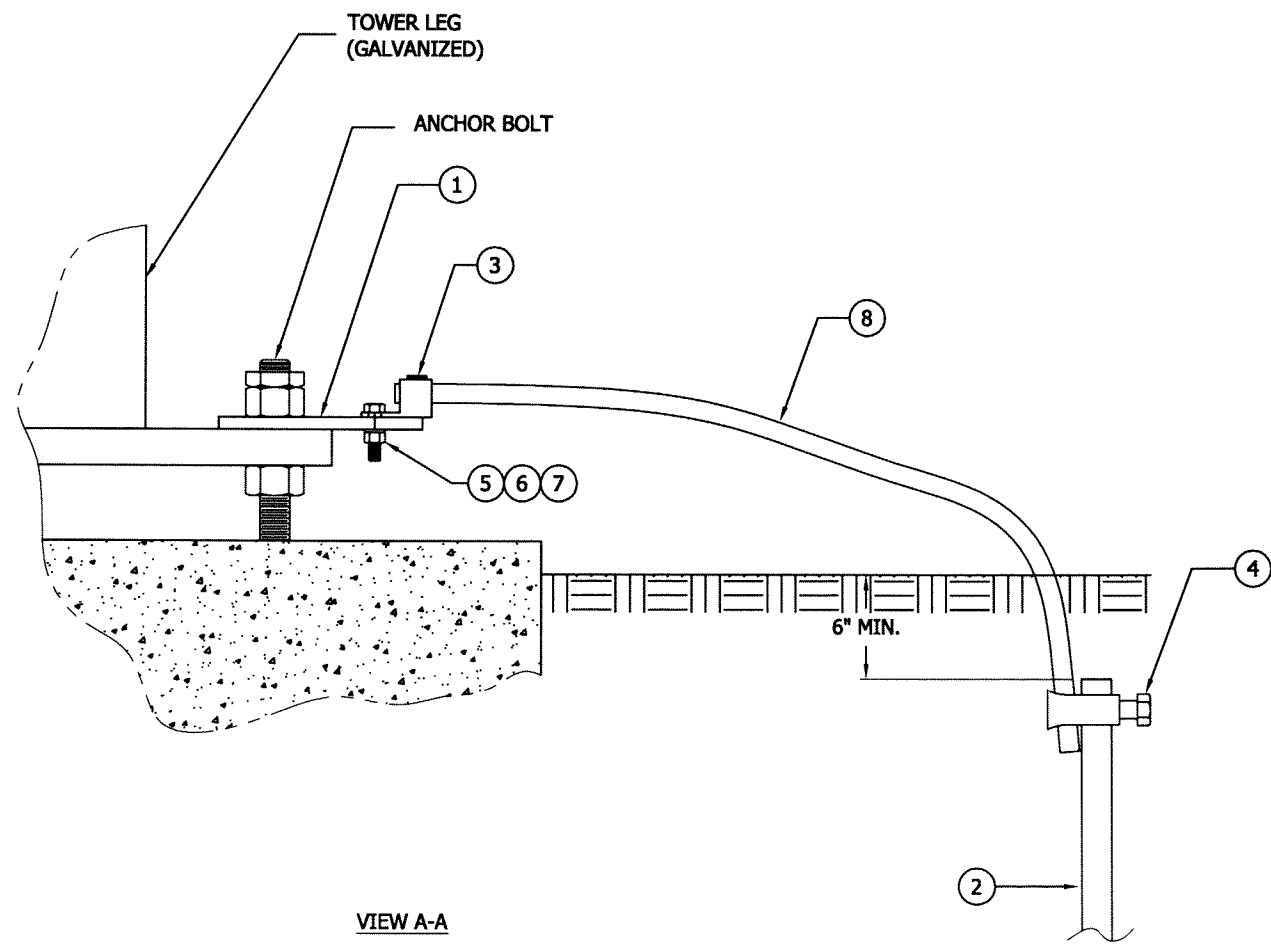


PO BOX 5999  
 PEORIA, IL 61601-5999  
 TOLL FREE 800-727-ROHN

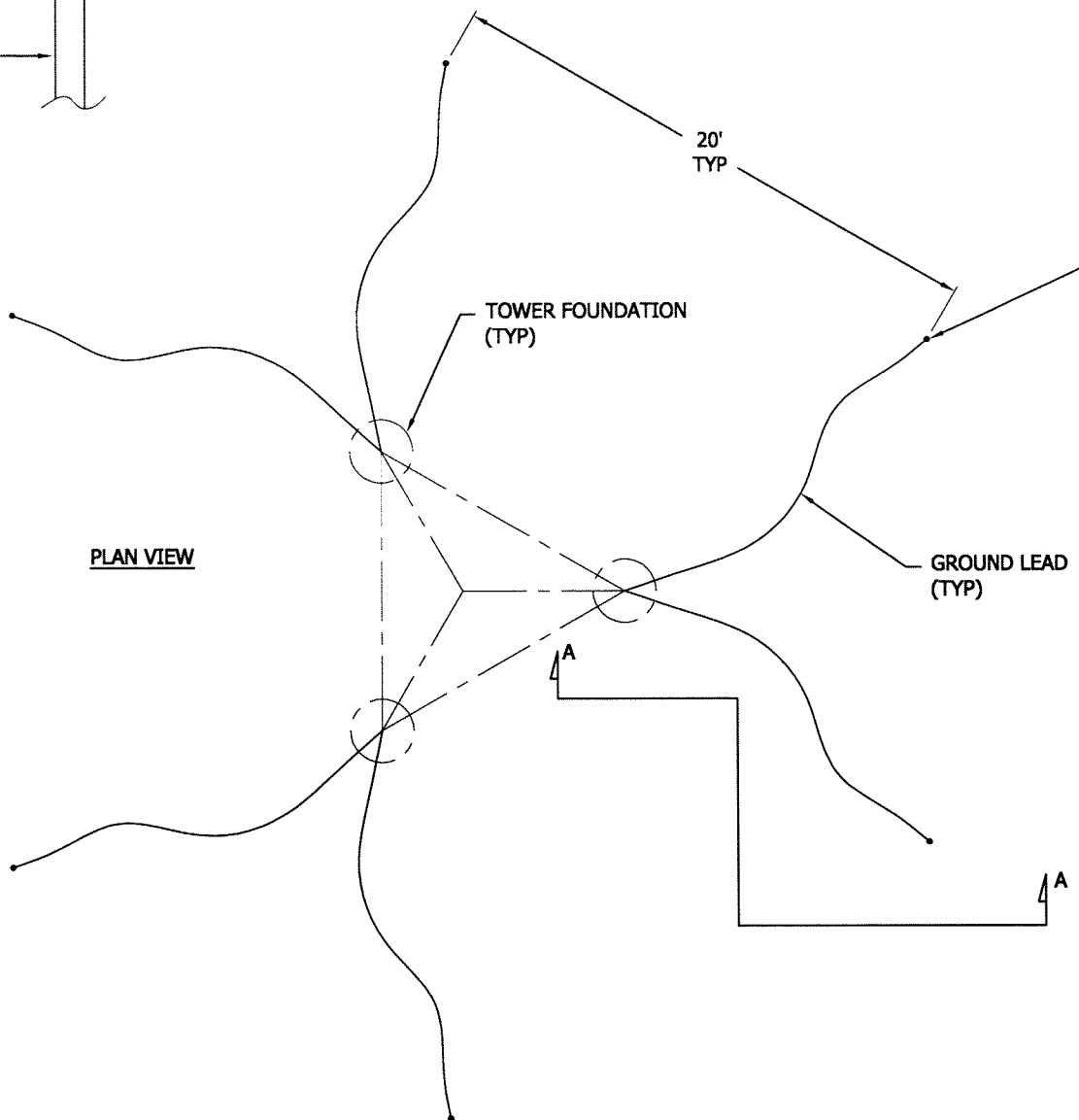
THIS DRAWING IS THE PROPERTY OF ROHN. IT IS NOT TO BE REPRODUCED, COPIED OR TRACED IN WHOLE OR IN PART WITHOUT OUR WRITTEN CONSENT.

**BOLT ASSEMBLY INSTALLATION**

DWN:	OH	CHK'D:	GHB	DATE:	07/05/79
ENG'R:	TWS	SHEET #:	1 OF 1		
DRAWING NO:	A790135			REV:	7



VIEW A-A



PLAN VIEW

BILL OF MATERIAL			
ITEM	QTY	PART NO.	DESCRIPTION
1	1	SEE CHART	GROUND LUG
2	2	GR6250	ROD GROUND 5/8" X 10' HDG
3	1	ADR25-21	LUG, GALVAN 6 - 250 ALCU
4	2	340016T	CLAMP #8034 WB 3/4 TINNED
5	1	220830	SCREW CAP .25-20X1.00" S.S.
6	1	220831	NUT .25-20 HEX S.S.
7	2	250081	WASHER .25 STD FLAT SS
8	2	150400-30	7/16 6x25 EIP IWRC RRL 30'

NOTE: B.O.M. SHOWN IS FOR ONE LEG ONLY.

ANCHOR BOLT SIZE	GROUND PLATE
1/2"	GL4
5/8"	GL5
3/4"	GL6
7/8"	GL7
1"	GL8

ORDER INFO	
ANCHOR ROD SIZE	ASSY. P/N
1/2"	BGK4GGX
5/8"	BGK5GGX
3/4"	BGK6GGX
7/8"	BGK7GGX
1"	BGK8GGX

NOTE: ORDER (3) FOR TYPICAL REV.G APPLICATIONS.

FILE NO.				
REVISIONS				
REV.	DESCRIPTION	DWN	CHK	APP
3	UPDATE P/N'S IN ORDERING INFO TABLE DATE: 08/17/12	ZAW	JDM	HA



PO BOX 5999  
PEORIA, IL 61601-5999  
TOLL FREE 800-727-ROHN

THIS DRAWING IS THE PROPERTY OF ROHN. IT IS NOT TO BE REPRODUCED, COPIED OR TRACED IN WHOLE OR IN PART WITHOUT OUR WRITTEN CONSENT.

TIA-222-G STANDARD FOR SS TOWERS (GALV)

DWN: JK	CHK'D: JDM	DATE: DEC/27/2007
ENGR: DWG	SHEET #: 1 OF 1	
DRAWING NO: B070997		REV: 3