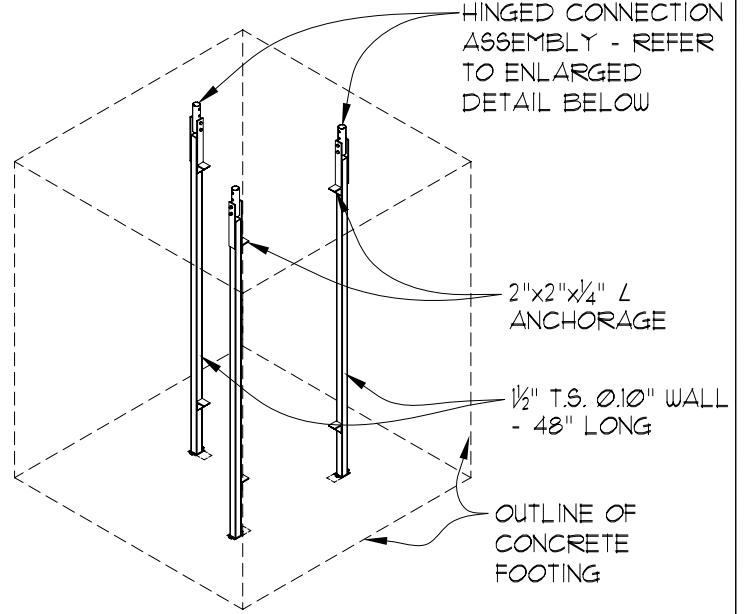


**PLAN VIEW**

SCALE: 1/2" = 1'-0"

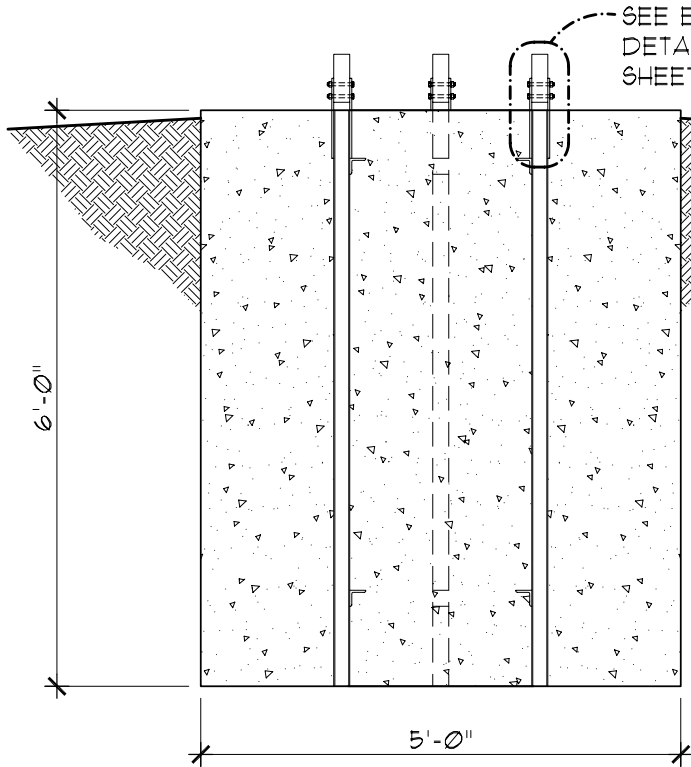
1



**ISOMETRIC**

SCALE: N.T.S.

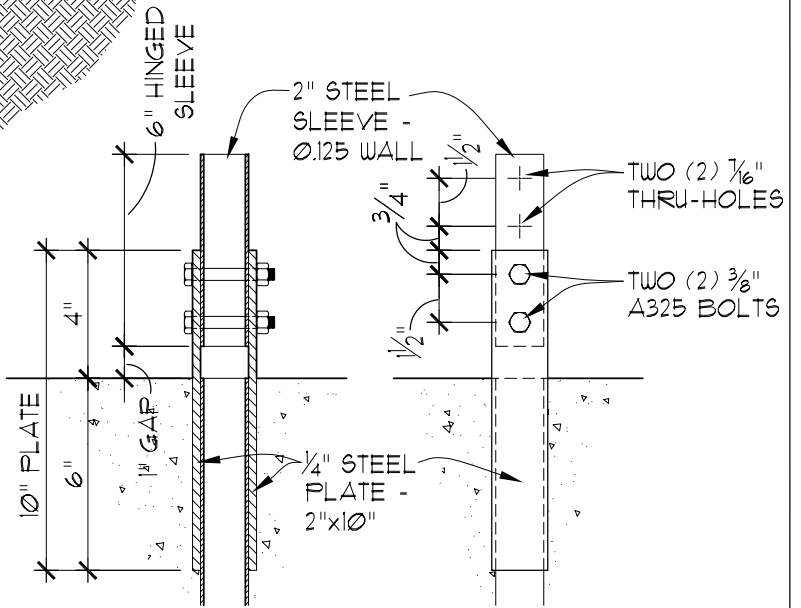
3



**ELEVATION**

SCALE: 1/2" = 1'-0"

2



**BASE FOOTING**



**UNIVERSAL TOWERS**  
 A DIVISION OF  
 UNIVERSAL MANUFACTURING CORP.  
 43900 GROESBECK HWY.  
 CLINTON TOWNSHIP, MI 48036  
 PH: (586) 463-2560  
 FAX: (586) 463-2964

JOB NO.:

COMPONENT:

**B-30**