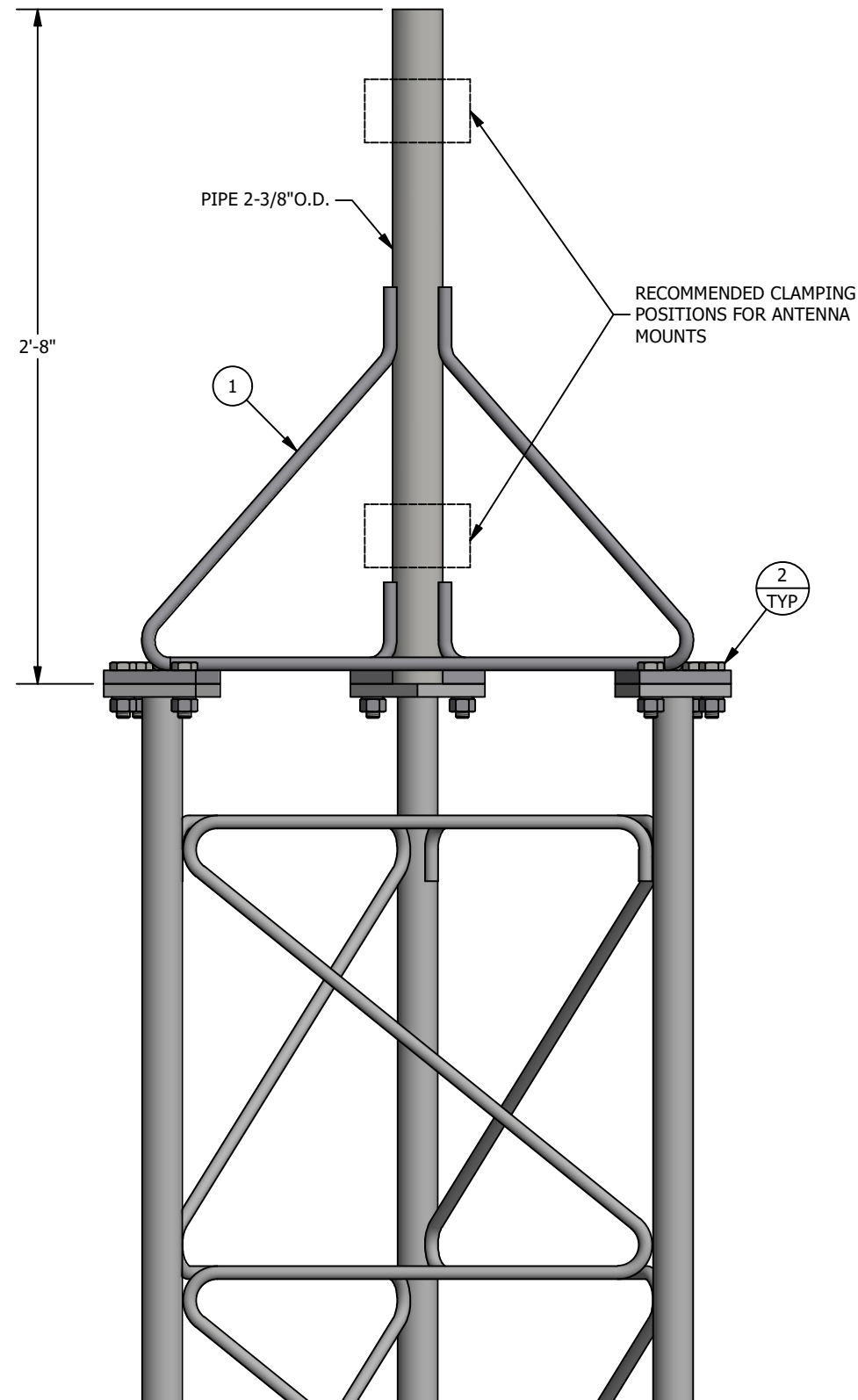
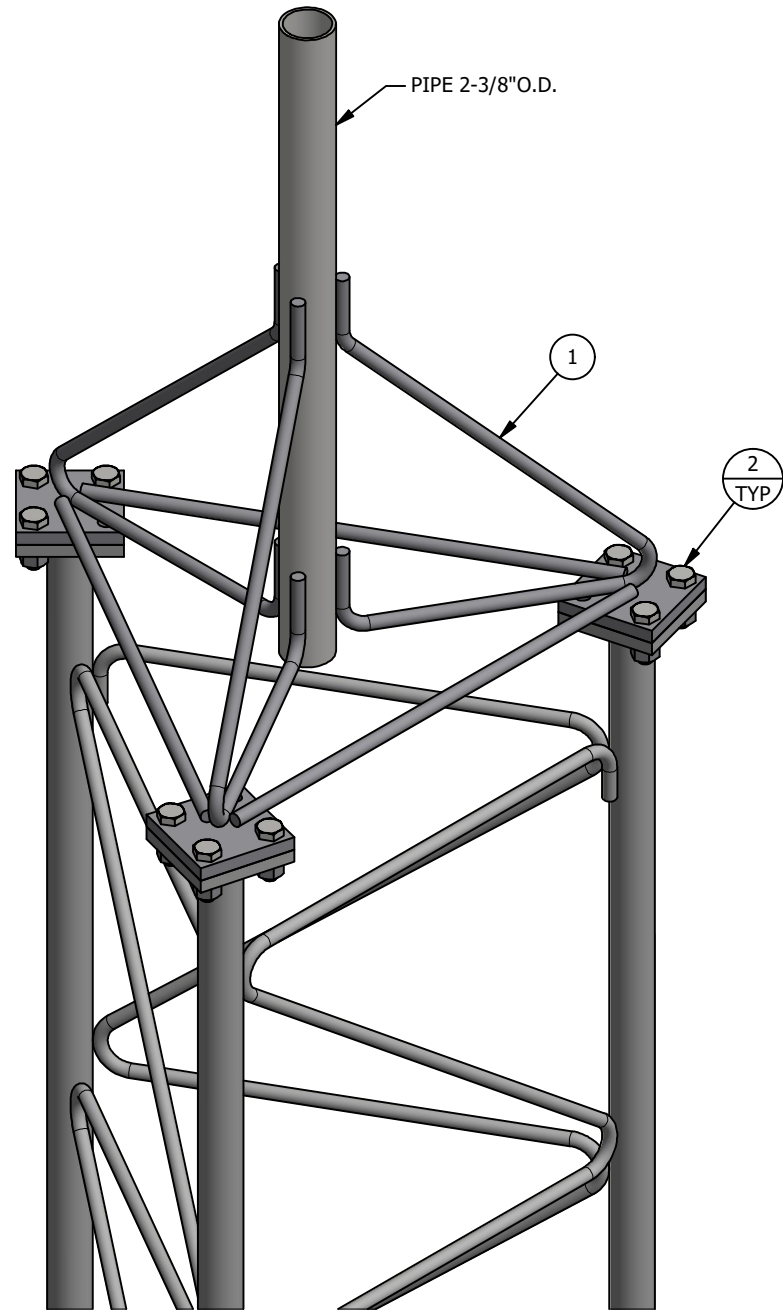


**ASSY P/N: 65GTTA**

FILE NO.

BILL OF MATERIALS				
ITEM	QTY	P/N	DESCRIPTION	DWG
1	1	65TT	TAPERED TOP 65G	65TT
2	9	210032GA	BOLT ASSY 5/8X2-1/4 A325 HDG	N/A



P.O. BOX 5999  
 PEORIA, IL 61601-5999  
 TOLL FREE 800-727-ROHN

THIS DRAWING IS THE PROPERTY OF ROHN. IT IS NOT TO BE REPRODUCED, COPIED OR TRACED IN WHOLE OR IN PART WITHOUT OUR WRITTEN CONSENT.

**TAPERED TOP ASSY 65G**

DWN: CEJ	CHK'D:	DATE: 3/23/2026
ENG'R:	SHEET #: 1 OF 1	
PRJ. ENGR:	PRJ. MANG'R:	
DRAWING NO: 65GTTA	REV: 0	