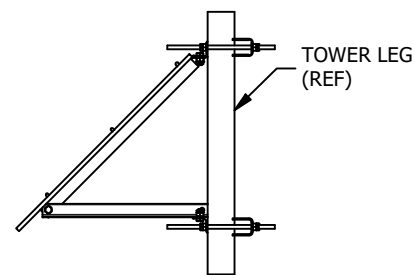


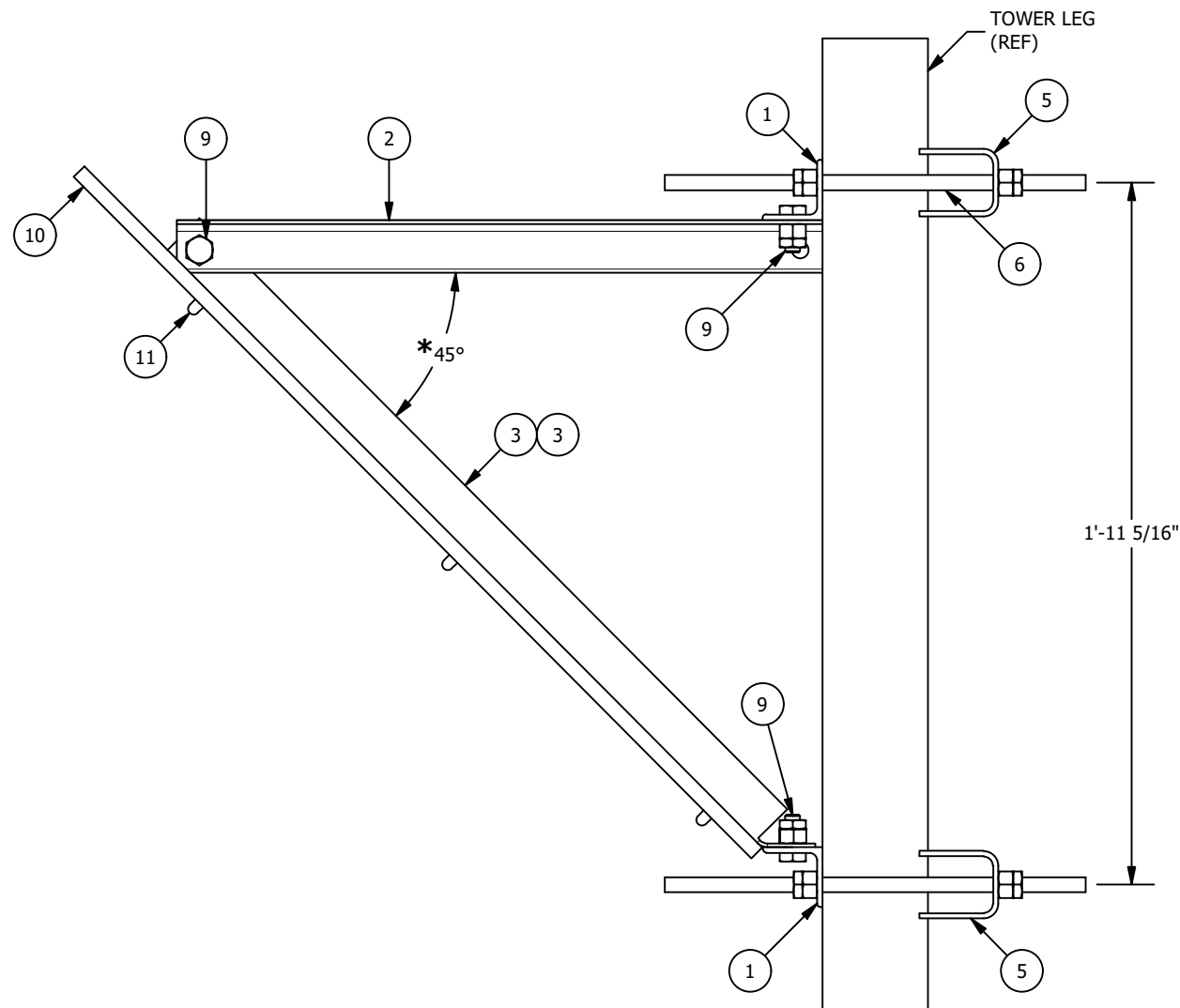
PLAN VIEW



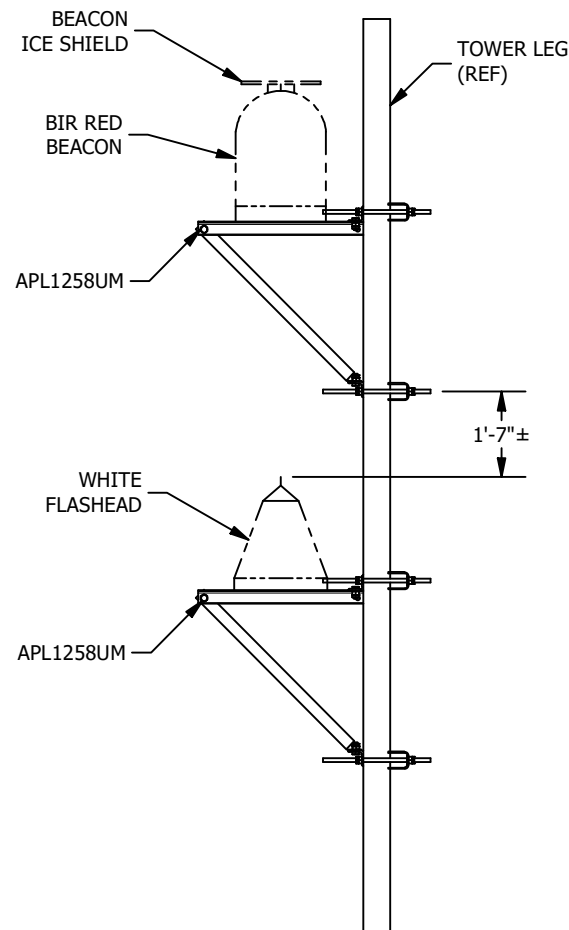
ISBEACON
LOCATION APPROXIMATELY 4'
ABOVE BEACON BASE

INNER HOLES ARE FOR
1-1/4" O.D. THRU 4"
PIPE LEGS AS SHOWN.

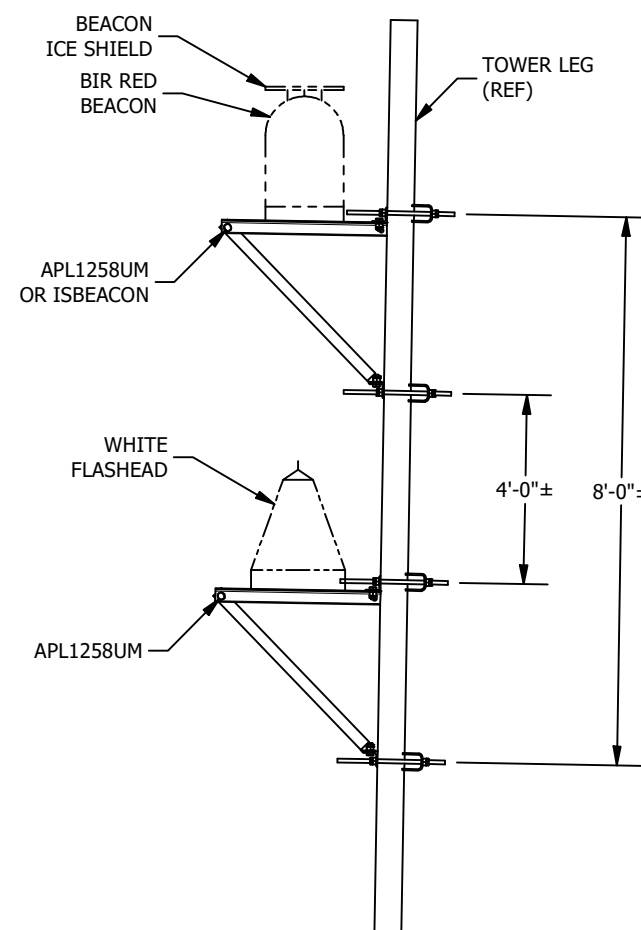
OUTER HOLES ARE FOR
5" THRU 8" PIPE LEGS.



ELEVATION VIEW



**DUAL BEACONS ON
STRAIGHT TOWER**



**DUAL BEACONS ON
TAPERED TOWER**

BILL OF MATERIALS ASSEMBLY P/N: APL1258UM				
ITEM	QTY	P/N	DESCRIPTION	DWG
1	2	KH4478	L2.00X2.00X.19X11.00	KH4478
2	2	KH4479	L1.75X1.75X.13X21.50	KH4479
3	1	KH4480	L1.50X1.50X.13X29.75	KH4480
4	1	KH4481	L1.50X1.50X.13X29.75	KH4481
5	2	KH3238	CLAMP BEAC 7GAX6.81X12.00	KH3238
6	4	210255G	THRD ROD 1/2"DIA x14" HDG	N/A
7	8	110143	HEX NUT 1/2 (13 UNC) 2H GAL	N/A
8	8	110160	NUT HVY HEX PAL 1/2 HDG	N/A
9	6	210017GA	BOLT ASSY 1/2X1-1/4 A325 HDG	N/A

BILL OF MATERIALS ASSEMBLY P/N: ISBEACON				
ITEM	QTY	P/N	DESCRIPTION	DWG
1	2	KH4478	L2.00X2.00X.19X11.00	KH4478
2	2	KH4479	L1.75X1.75X.13X21.50	KH4479
3	1	KH4480	L1.50X1.50X.13X29.75	KH4480
4	1	KH4481	L1.50X1.50X.13X29.75	KH4481
5	2	KH3238	CLAMP BEAC 7GAX6.81X12.00	KH3238
6	4	210255G	THRD ROD 1/2"DIA x14" HDG	N/A
7	8	110143	HEX NUT 1/2 (13 UNC) 2H GAL	N/A
8	8	110160	NUT HVY HEX PAL 1/2 HDG	N/A
9	6	210017GA	BOLT ASSY 1/2X1-1/4 A325 HDG	N/A
10	1	100002	GRATING No.3X17X32" EXP METAL	N/A
11	6	J167A	J-BOLT ASSY 3/8 X 1-5/8 HDG	B910973

- GENERAL NOTES:**
- SEE TOWER ASSEMBLY DRAWING IF ADDITIONAL LIGHTS ARE REQUIRED.
 - * BEACON MOUNTING SURFACE SHALL BE LEVEL. ADJUST KNEE BRACE ANGLE ACCORDINGLY ON A TAPERED LEG.

FILE NO.				
REVISION				
REV.	DESCRIPTION	DWN	CHK	APP
4	UPDATED TO INVENTOR MODELS	JEC	cej	SWG
DATE: 12/1/2021				



P.O. BOX 5999
PEORIA, IL 61601-5999
TOLL FREE 800-727-ROHN

THIS DRAWING IS THE PROPERTY OF ROHN. IT IS NOT TO BE REPRODUCED, COPIED OR TRACED IN WHOLE OR IN PART WITHOUT OUR WRITTEN CONSENT.

**ICE GUARD & MID BEACON PL. ASSY
1.25 - 8" LEG**

DWN: RRC	CHK'D: WDU	DATE: 12/5/1991
ENG'R: TWS	SHEET #: 1 OF 1	
PRJ. ENG'R:	PRJ. MANG'R:	
DRAWING NO: C911782	REV: 4	