

# RG6U STANDARD SHEILD 18AWG CCS CM/X/G 1000' PULL BOX

PART NUMBER:

## 107-1234BK/6S1BX



<b>PG. 1</b>	<input type="checkbox"/> APPROVALS:	<input type="checkbox"/> DATE:	THE INFORMATION CONTAINED IN THIS DOCUMENT IS PROPRIETARY TO VERTICAL CABLE AND MAY NOT BE DISCLOSED OR TRANSMITTED TO ANY OTHER PARTIES WITHOUT THE EXPRESS WRITTEN PERMISSION OF VERTICAL CABLE. THIS INFORMATION IS PROVIDED FOR THE PURPOSES OF QUOTATION ONLY.
	MARKETING		
	TECHNICAL		
	SALES		
	FINAL		

**GENERAL INFORMATION ABOUT THIS PRODUCT:**

MANUFACTURER:

REFERENCE: 107-1234BK/6S1BX

DESCRIPTION:

RG6/U Standard, Black 1000' Pull Box, 75Ω 18AWG Solid CCS Conductor, Aluminum Foil Shield (Bonded) & 60% Aluminum Braid Coverage, High-Grade (UL) CM - CATV, CL2

ACCESSORIES INCLUDED WITH THIS PRODUCT:

NONE

FEATURES AND BENEFITS:

- High-Grade RG6U UL-Rated 3.0 GHz, Coaxial Cable
- Suitable for Digital HDTV Applications, CATV and Digital Satellite Installations
- Fully Sweep-Tested to 3000MHz
- 18AWG Solid Copper-Clad Steel
- Aluminum/PET-Foil Bonded
- 60% Aluminum Braid Shield
- UL Listed ETL Rated CM/X/G, CATV, CL2
- Supplied in Pull Box



PULL BOX



CABLE

PG.  
2

P/N: 107-1234BK/6S1BX

PRODUCT: RG6U STANDARD SHEILD, CCS

AUTHOR:



DATE: 04/03/07

REV: 01

**TECHNICAL INFORMATION ABOUT THIS PRODUCT:**

MANUFACTURER:

REFERENCE: 107-1234BK/6S1BX

DESCRIPTION:

RG6/U Standard, Black 1000' Pull Box, 75Ω 18AWG Solid CCS Conductor, Aluminum Foil Shield (Bonded) & 60% Aluminum Braid Coverage, High-Grade (UL) CM - CATV, CL2

TECHNICAL SPECS:

**Physical Characteristics**

**Inter Conductor**

Conductor Material	Copper Clad Steel (Solid)
Size	18 AWG
Construction	φ1.024±0.10 mm

**Insulation**

Material	Foamed PE
Diameter	φ4.57±0.10mm
Min. Thickness	1.52mm
Color	White

**First Shield Outer Conductor**

Material Aluminum/PET-Foil Bonded

**Second Shield Outer Conductor**

Material	Aluminum Wire
Size	0.16mm
Construction	0.16x4x16 (60%)

**Jacket**

Material	PVC
Diameter	6.9±0.15mm
Min. Thickness	0.62mm
Color	Black

**Electrical Specifications (20°C)**

Center Conductor DC Resistance	≤120Ω/km
Nominal Capacitance	52±2pF/m
Impedance	75±3 Ohms

**MARKING**

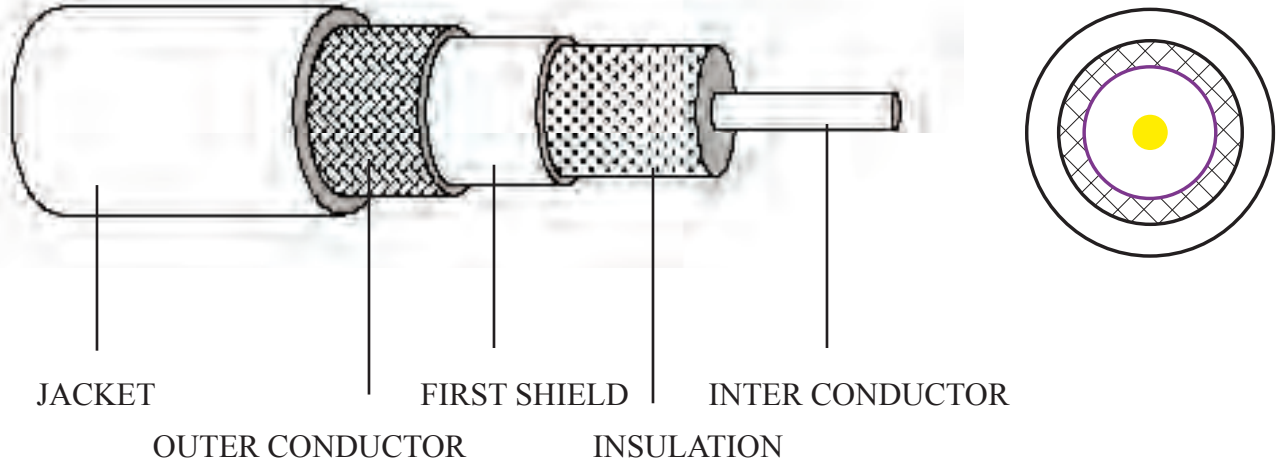
VERTICAL E312655 RG6U 18AWG COAXIAL CABLE 3.0GHZ (UL) C(UL) CM/X/G FT4 / CATV(UL) /CL2 (UL) / AWM STYLE 1354 (VID:S2) XXXXFT

SEQUENTIAL FOOT MARKERS ON JACKET

<b>PG. 3</b>	<input type="checkbox"/> P/N: 107-1234BK/6S1BX	<input type="checkbox"/> PRODUCT: RG6U STANDARD SHEILD, CCS
	<input type="checkbox"/> AUTHOR:	
	<input type="checkbox"/> DATE: 04/03/07	<input type="checkbox"/> REV: 01



TECHNICAL DIAGRAM:



**LABEL FOR PRODUCTION DATE CONTROL:**

THIS FAMILY OF COAXIAL BULK CABLE WILL NOT INCLUDE SERIAL NUMBER.

THIS UPC LABEL IS PLACED ON EACH 1 UNIT SHIPMENT CARTON.

LABEL: UPC CODE BELOW



IMPORTANT NOTE: --

UL FILE NUMBER: E312655

ETL FILE NUMBER: --


<b>PG. 4</b>	<input type="checkbox"/> P/N: 107-1234BK/6S1BX	<input type="checkbox"/> PRODUCT: RG6U STANDARD SHEILD, CCS
	<input type="checkbox"/> AUTHOR:	
	<input type="checkbox"/> DATE: 04/03/07	<input type="checkbox"/> REV: 01

**PRODUCT PACKAGING DIMENSIONS:**

**PULL BOX PACKAGING - FLAT :**

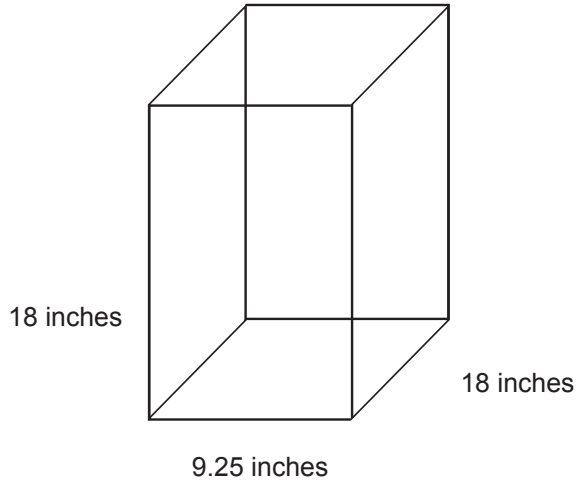


**PULL BOX PACKAGING:**

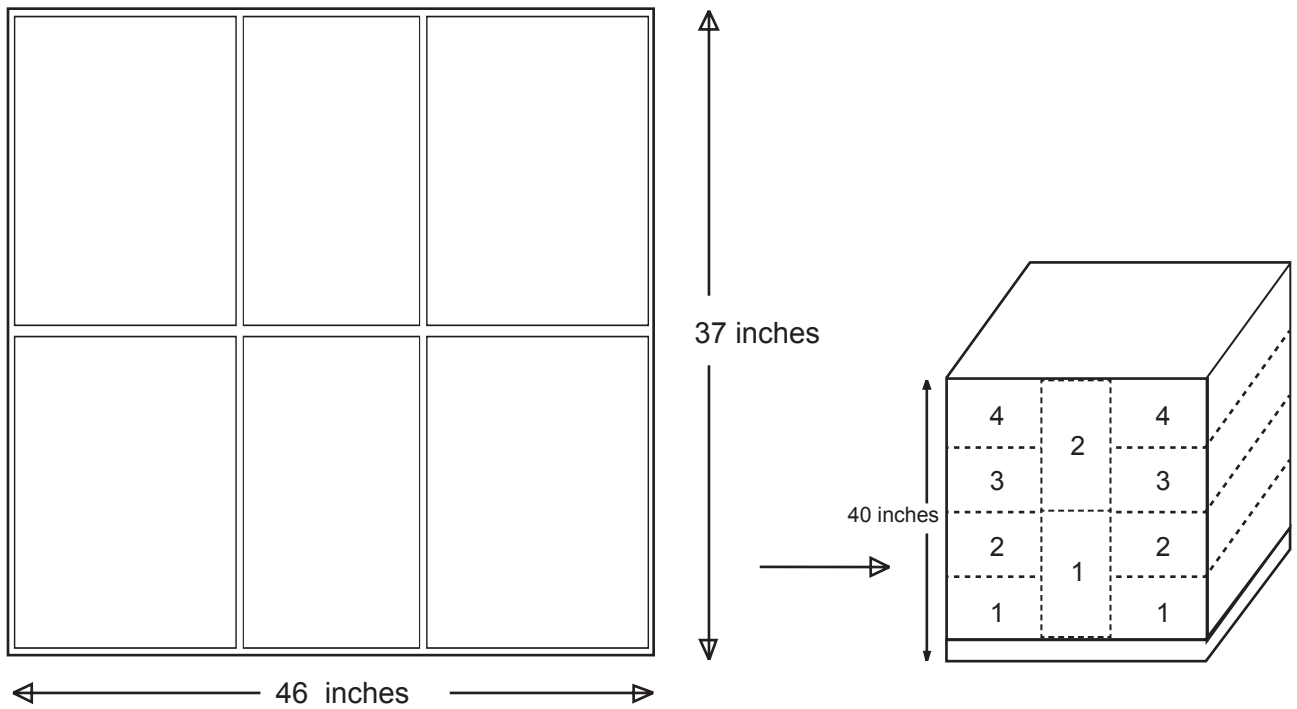
<b>PG. 5</b>	<input type="checkbox"/> P/N: 107-1234BK/6S1BX	<input type="checkbox"/> PRODUCT: RG6U STANDARD SHEILD, CCS
	<input type="checkbox"/> AUTHOR:	
	<input type="checkbox"/> DATE: 04/03/07	

**SHIPMENT CARTON:**

**SHIPMENT CARTON DIMENSION:**



**SHIPMENT CARTON PLACED IN A PALLET (ONE PALLET FITS 20 CARTONS):**



**PG.  
6**

P/N: 107-1234BK/6S1BX

PRODUCT: RG6U STANDARD SHEILD, CCS

AUTHOR:



DATE: 04/03/07

REV: 01