

RG6U STANDARD SHEILD 18AWG CCS CM/X/G 1000' PULL BOX

PART NUMBER:
107-1237WH/6S1BX



PG. 1	<input type="checkbox"/> APPROVALS:	<input type="checkbox"/> DATE:	THE INFORMATION CONTAINED IN THIS DOCUMENT IS PROPRIETARY TO VERTICAL CABLE AND MAY NOT BE DISCLOSED OR TRANSMITTED TO ANY OTHER PARTIES WITHOUT THE EXPRESS WRITTEN PERMISSION OF VERTICAL CABLE. THIS INFORMATION IS PROVIDED FOR THE PURPOSES OF QUOTATION ONLY.
	MARKETING		
	TECHNICAL		
	SALES		
	FINAL		

GENERAL INFORMATION ABOUT THIS PRODUCT:

MANUFACTURER:

REFERENCE: 107-1237WH/6S1BX

DESCRIPTION:

RG6/U Standard, White 1000' Pull Box, 75Ω 18AWG Solid CCS Conductor, Aluminum Foil Shield (Bonded) & 60% Aluminum Braid Coverage, High-Grade (UL) CM - CATV, CL2

ACCESSORIES INCLUDED WITH THIS PRODUCT:

NONE

FEATURES AND BENEFITS:


- High-Grade RG6U UL-Rated 3.0 GHz, Coaxial Cable
- Suitable for Digital HDTV Applications, CATV and Digital Satellite Installations
- Fully Sweep-Tested to 3000MHz
- 18AWG Solid Copper-Clad Steel
- Aluminum/PET-Foil Bonded
- 60% Aluminum Braid Shield
- UL Listed ETL Rated CM/X/G, CATV, CL2
- Supplied in Pull Box



PULL BOX



CABLE

PG. 2	<input type="checkbox"/> P/N: 107-1237WH/6S1BX	<input type="checkbox"/> PRODUCT: RG6U STANDARD SHEILD, CCS
	<input type="checkbox"/> AUTHOR:	
	<input type="checkbox"/> DATE: 04/03/07 <input type="checkbox"/> REV: 01	

TECHNICAL INFORMATION ABOUT THIS PRODUCT:

MANUFACTURER:

REFERENCE: 107-1237WH/6S1BX

DESCRIPTION:

RG6/U Standard, White 1000' Pull Box, 75Ω 18AWG Solid CCS Conductor, Aluminum Foil Shield (Bonded) & 60% Aluminum Braid Coverage, High-Grade (UL) CM - CATV, CL2

TECHNICAL SPECS:

Physical Characteristics

Inter Conductor

Conductor Material Copper Clad Steel (Solid)
Size 18 AWG
Construction $\phi 1.024 \pm 0.10$ mm

Insulation

Material Foamed PE
Diameter $\phi 4.57 \pm 0.10$ mm
Min. Thickness 1.52mm
Color White

First Shield Outer Conductor

Material Aluminum/PET-Foil Bonded

Second Shield Outer Conductor

Material Aluminum Wire
Size 0.16mm
Construction 0.16x4x16 (60%)

Jacket

Material PVC
Diameter 6.9 ± 0.15 mm
Min. Thickness 0.62mm
Color White


Electrical Specifications (20°C)

Center Conductor DC Resistance $\leq 120 \Omega/\text{km}$
Nominal Capacitance $52 \pm 2 \text{pF}/\text{m}$
Impedance $75 \pm 3 \text{ Ohms}$

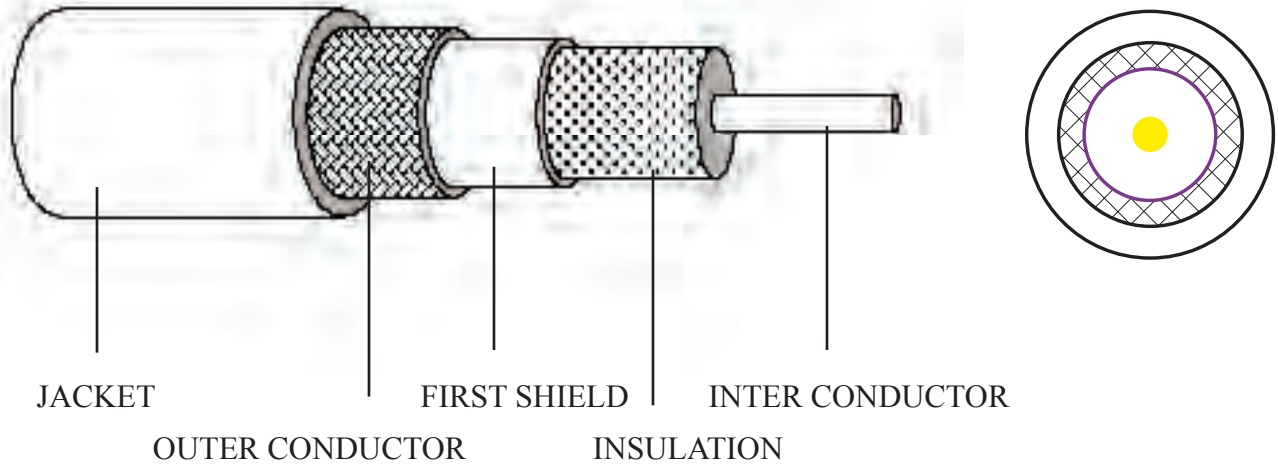
MARKING

VERTICAL E312655 RG6U 18AWG COAXIAL CABLE 3.0GHZ (UL) C(UL) CM/X/G FT4 / CATV(UL) / CL2 (UL) / AWM STYLE 1354 (VID:S2) XXXXFT

SEQUENTIAL FOOT MARKERS ON JACKET

PG. 3	<input type="checkbox"/> P/N: 107-1237WH/6S1BX	<input type="checkbox"/> PRODUCT: RG6U STANDARD SHEILD, CCS
	<input type="checkbox"/> AUTHOR:	
	<input type="checkbox"/> DATE: 04/03/07 <input type="checkbox"/> REV: 01	

TECHNICAL DIAGRAM:



LABEL FOR PRODUCTION DATE CONTROL:

THIS FAMILY OF COAXIAL BULK CABLE WILL NOT INCLUDE SERIAL NUMBER.

THIS UPC LABEL IS PLACED ON EACH 1 UNIT SHIPMENT CARTON.

LABEL: UPC CODE BELOW



IMPORTANT NOTE: --

UL FILE NUMBER: E312655

ETL FILE NUMBER: --

PG. 4	<input type="checkbox"/> P/N: 107-1237WH/6S1BX	<input type="checkbox"/> PRODUCT: RG6U STANDARD SHEILD, CCS
	<input type="checkbox"/> AUTHOR:	
	<input type="checkbox"/> DATE: 04/03/07	<input type="checkbox"/> REV: 01




PRODUCT PACKAGING DIMENSIONS:

PULL BOX PACKAGING - FLAT :

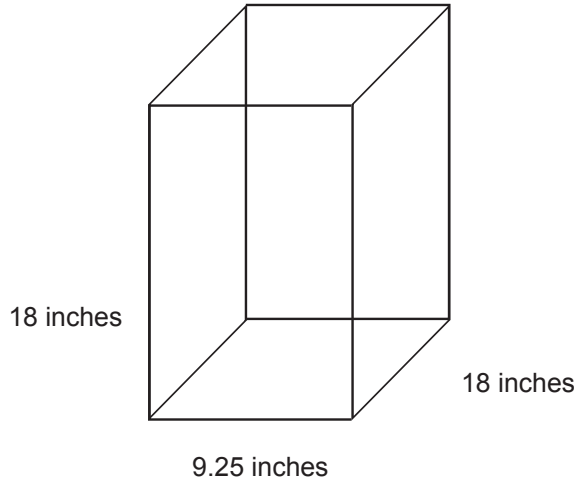


PULL BOX PACKAGING:

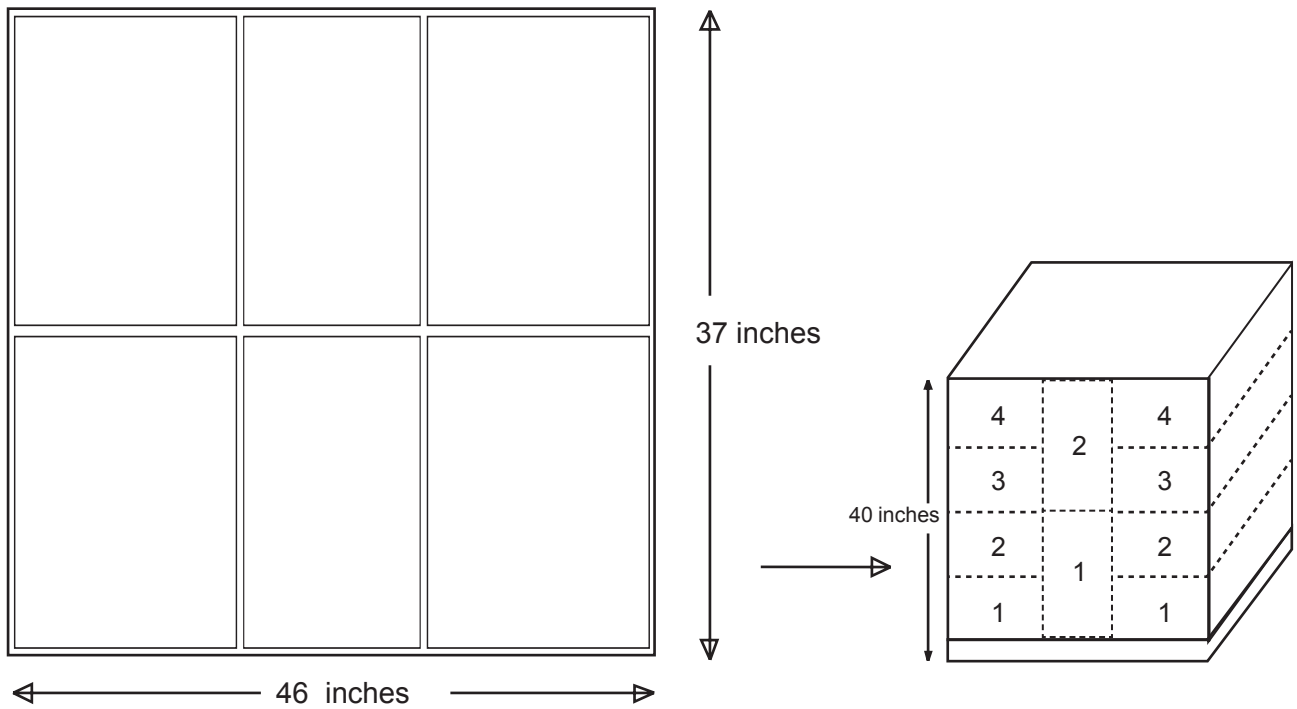
PG. 5	<input type="checkbox"/> P/N: 107-1237WH/6S1BX	<input type="checkbox"/> PRODUCT: RG6U STANDARD SHEILD, CCS
	<input type="checkbox"/> AUTHOR:	
	<input type="checkbox"/> DATE: 04/03/07	

SHIPMENT CARTON:

SHIPMENT CARTON DIMENSION:



SHIPMENT CARTON PLACED IN A PALLET (ONE PALLET FITS 20 CARTONS):



**PG.
6**

P/N: 107-1237WH/6S1BX

PRODUCT: RG6U STANDARD SHEILD, CCS

AUTHOR:

DATE: 04/03/07

REV: 01

