


RG6U QUAD SHIELD 18AWG CCS 1000' PULL BOX

PART NUMBER:
107-1953WH/6Q1BX



| | | | |
|------------------|-------------------------------------|--------------------------------|--|
| PG. 1 | <input type="checkbox"/> APPROVALS: | <input type="checkbox"/> DATE: | THE INFORMATION CONTAINED IN THIS DOCUMENT IS PROPRIETARY TO VERTICAL CABLE AND MAY NOT BE DISCLOSED OR TRANSMITTED TO ANY OTHER PARTIES WITHOUT THE EXPRESS WRITTEN PERMISSION OF VERTICAL CABLE. THIS INFORMATION IS PROVIDED FOR THE PURPOSES OF QUOTATION ONLY.  |
| | MARKETING | | |
| | TECHNICAL | | |
| | SALES | | |
| | FINAL | | |

GENERAL INFORMATION ABOUT THIS PRODUCT:

MANUFACTURER:

REFERENCE:107-1953WH/6Q1BX

DESCRIPTION:

RG6/U, Quad Shield, White 1000' Pull Box, 75Ω 18AWG CCS Conductor, Aluminum Foil Shield (Bonded), Aluminum Braid 60%, Aluminum Foil, Aluminum Braid 40% Coverage, High-Grade (UL) CM - CATV, CL2

ACCESSORIES INCLUDED WITH THIS PRODUCT:

NONE

FEATURES AND BENEFITS:


- High-Grade RG6U UL-Rated Coaxial Cable
- Suitable for Digital HDTV Applications, CATV, Outdoor TV Antennas and Digital Satellite Installations
- Sweep-Tested to 3GHz
- 18AWG Solid Copper-Clad Steel
- Supplied in Pull Boxes



PULL BOX



CABLE

| | | |
|------------------|--|---|
| PG. 2 | <input type="checkbox"/> P/N: 107-1953WH/6Q1BX | <input type="checkbox"/> PRODUCT: RG6U QUAD, COPPER CLAD STEEL (CCS) |
| | <input type="checkbox"/> AUTHOR: |  |
| | <input type="checkbox"/> DATE: 04/03/07 <input type="checkbox"/> REV: 01 | |

TECHNICAL INFORMATION ABOUT THIS PRODUCT:

MANUFACTURER:

REFERENCE:107-1953WH/6Q1BX

DESCRIPTION:

RG6/U, Quad Shield, White 1000' Pull Box, 75Ω 18AWG CCS Conductor, Aluminum Foil Shield (Bonded), Aluminum Braid 60%, Aluminum Foil, Aluminum Braid 40% Coverage, High-Grade (UL) CM - CATV, CL2

TECHNICAL SPECS:

Physical Characteristics

Inter Conductor

Size 18 AWG
 Material Copper Clad Steel (Solid)
 Construction $\phi 1.024 \pm 0.12 \text{mm}$

Insulation

Material Foamed PE
 Diameter $\phi 4.57 \pm 0.1 \text{mm}$
 Min. Thickness 1.52mm
 Color White

First Shield Outer Conductor

Material Aluminum/PET-Foil Bonded

Second Shield Outer Conductor

Material Aluminum Wire
 Construction 0.16x4x16 (60%)

Third Shield Outer Conductor

Material Aluminum/PET-Foil

Fourth Shield Outer Conductor

Material Aliminum Wire
 Construction 0.16x3x16 (40%)

Jacket

Material PVC
 Diameter $7.6 \pm 0.2 \text{mm}$
 Color Black

Electrical Specifications (20°C)

Center Conductor DC Resistance $\leq 120 \Omega/\text{km}$
 Nominal Capacitance $52 \pm 2 \text{pF/m}$
 Impedance $75 \pm 3 \text{ Ohms}$

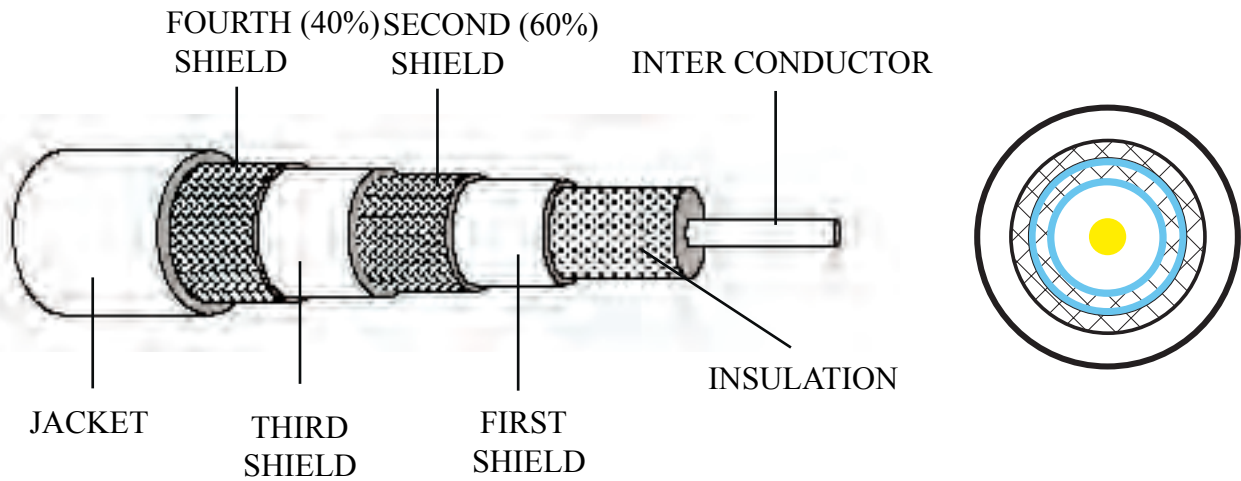
Marking

VERTICAL E312655 RG6U QUAD 18AWG COAXIAL CABLE 3.0GHZ (UL) C(UL) CM/X / CATV(UL) /CL2 (UL) / AWM STYLE 1354 (VID:C2) XXXXFT

| | | |
|------------------|--|--|
| PG. 3 | <input type="checkbox"/> P/N: 107-1953WH/6Q1BX | <input type="checkbox"/> PRODUCT: RG6U QUAD, COPPER CLAD STEEL |
| | <input type="checkbox"/> AUTHOR: | |
| | <input type="checkbox"/> DATE: 04/03/07 | <input type="checkbox"/> REV: 01 |



SEQUENTIAL
 TECHNICAL DIAGRAM:
 FOOT MARKERS ON
 JACKET



LABEL FOR PRODUCTION DATE CONTROL:

THIS FAMILY OF COAXIAL BULK CABLE WILL NOT INCLUDE SERIAL NUMBER.

THIS UPC LABEL IS PLACED ON EACH 1 UNIT SHIPMENT CARTON.

LABEL: UPC CODE BELOW



IMPORTANT NOTE: --

UL FILE NUMBER: E312655

ETL FILE NUMBER: --

| | | |
|------------------|--|--|
| PG. 4 | <input type="checkbox"/> P/N: 107-1953WH/6Q1BX | <input type="checkbox"/> PRODUCT: RG6U QUAD, COPPER CLAD STEEL (CCS) |
| | <input type="checkbox"/> AUTHOR: | |
| | <input type="checkbox"/> DATE: 04/03/07 | <input type="checkbox"/> REV: 01 |

PRODUCT PACKAGING DIMENSIONS:

PULL BOX PACKAGING - FLAT :



PULL BOX PACKAGING:

**PG.
5**

P/N: 107-1953WH/6Q1BX

PRODUCT: RG6U QUAD, COPPER CLAD STEEL

AUTHOR:

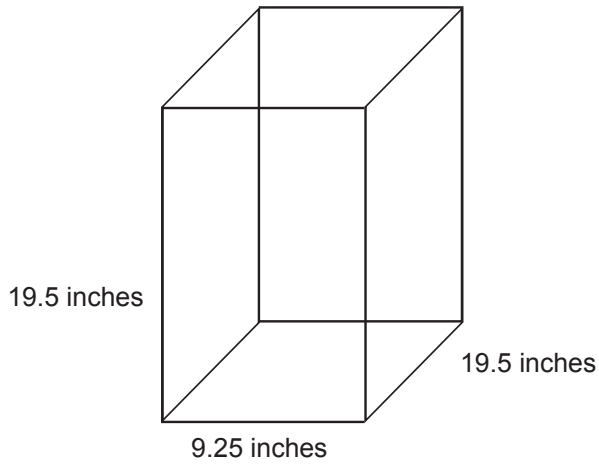
DATE: 04/03/07

REV: 01

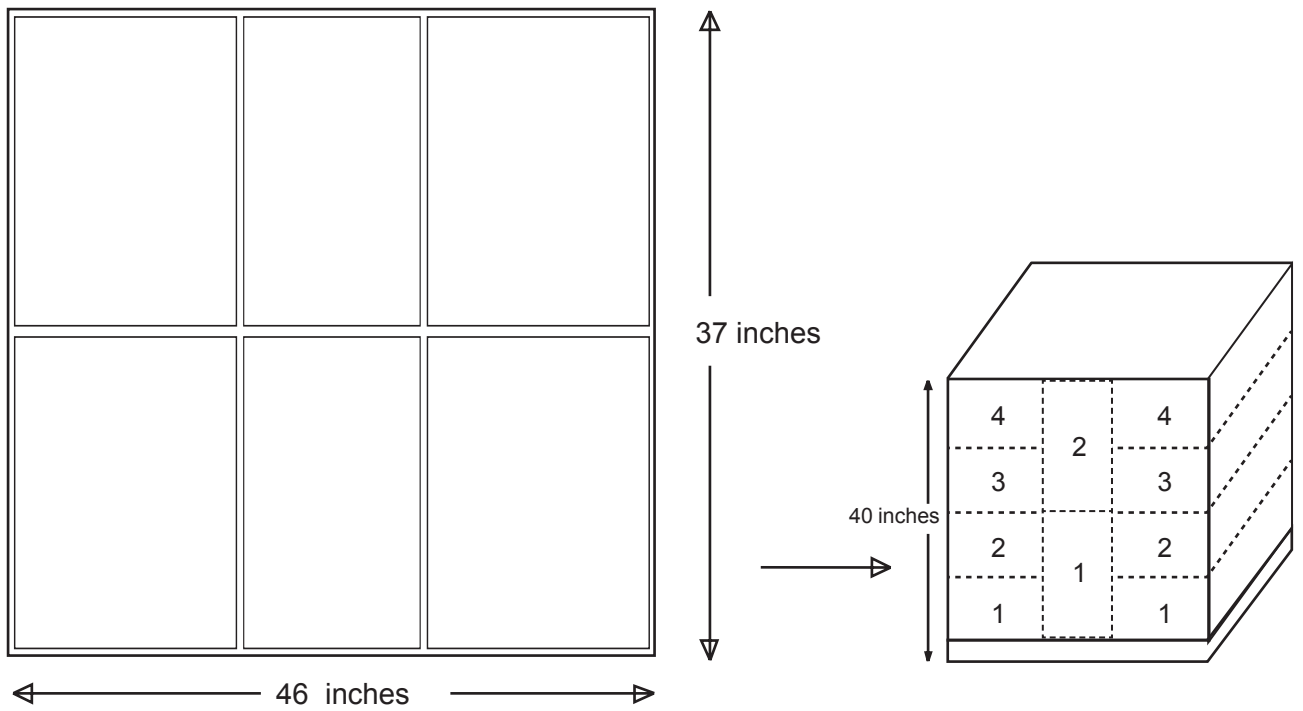


SHIPMENT CARTON:

SHIPMENT CARTON DIMENSION:



SHIPMENT CARTON PLACED IN A PALLET (ONE PALLET FITS 20 CARTONS):



**PG.
6**

P/N: 107-1953WH/6Q1BX

PRODUCT: RG6U QUAD, COPPER CLAD STEEL (CCS)

AUTHOR:

DATE: 04/03/07

REV: 01

