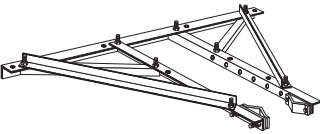
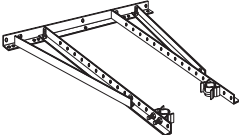
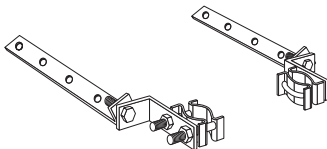
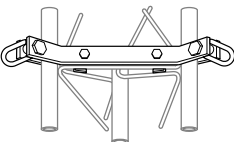
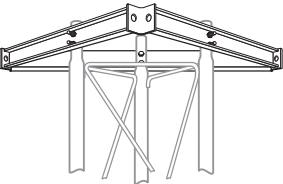
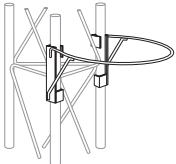
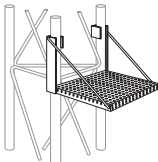
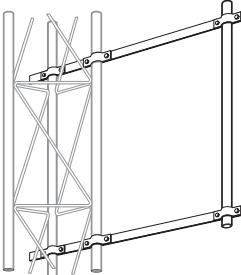

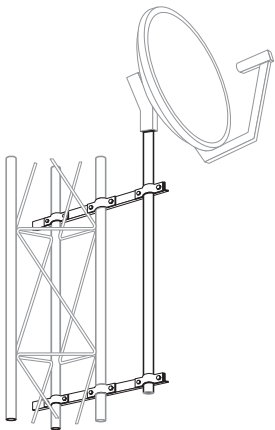
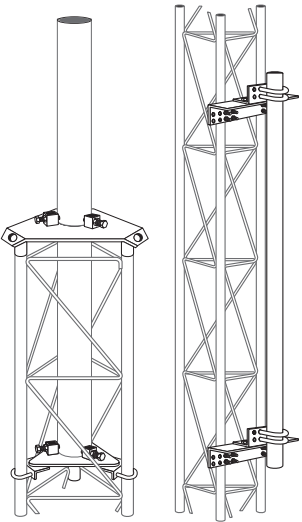
	<p>Adjustable House Bracket HB25AG0-15" HB25BG0-24" (not shown) HB25CG0-36" (not shown)</p>
	<p>HeavyDuty Universal House Bracket HBUTVRO Adjustable to position tower from 18" to 36" from wall.</p>
	<p>Universal House Bracket HBU Adjustable to position tower from 6" to 30" from wall.</p>
	<p>Universal Eave Bracket EB2525G Hinged connection allows tower leg clampsto remainperpendicular to ground while bolt-down supports rotate to lay flat along pitched roof or eave.</p>
	<p>Guy Bracket GA25GD Mounts to any tower at any horizontal brace. Torque Bars TB25D (not shown) Optional, for use with GA25GD</p>
	<p>Torque Arm Stabilizer Assembly TA25 Anti-twist device located i hte area of antennas. Provides six-way guying. Bolts to tower at any section joint. Attached with joint bolts. Must be installed as sections are joined together.</p>
	<p>Safety Ring SR245 Snaps into place at any level. No bolts required.</p>
	<p>Work Platform WP25G Snaps into place at any level. No bolts required.</p>

	<p>Side Arm Bracket SA253UA Provides3' stand-off from tower. Distance from top to bottom bracket adjustable depending on length of antenna mounting tube. Mounting tube provide is 3' long, 2-1/4" O.D.</p>
	<p>Side Arm Mount UHF25G For UHF & FM antennas. Fastens with saddle clamps (shown in SA253UA drawing above).</p>
	<p>DBS Antenna Support KY2068A16 1.66" O.D. mounting tube KY2068A15 1.5" O.D. mounting tube KY2068A2 2" STD/2-3/8" O.D. mounting pipe Above absemblies are hot dip galvanized. Antenna Support Assembly includes support brackets, clamps, and mounting pipe. Below assemblies are pregalvanized. DDM166 1.66" O.D. mounting pipe DDM150 1.5" O.D. ,ounting pipe DDM238 2" STD/2-3/8" O.D. mounting pipe</p>
	<p>(Left) Top Dish Mount 25TDMKD Top plate includes built in guy lugs. Bolts to swaged top of standard section. Lower plate connects with U-bolts. Set screws secure mounting pipe.</p> <p>(See drawing C850314R1) for mast sizes and assembly.)</p> <p>(Right) Face Dish Mount DM25G2 Mounting pipe included is 5' long, 2" STD.</p>