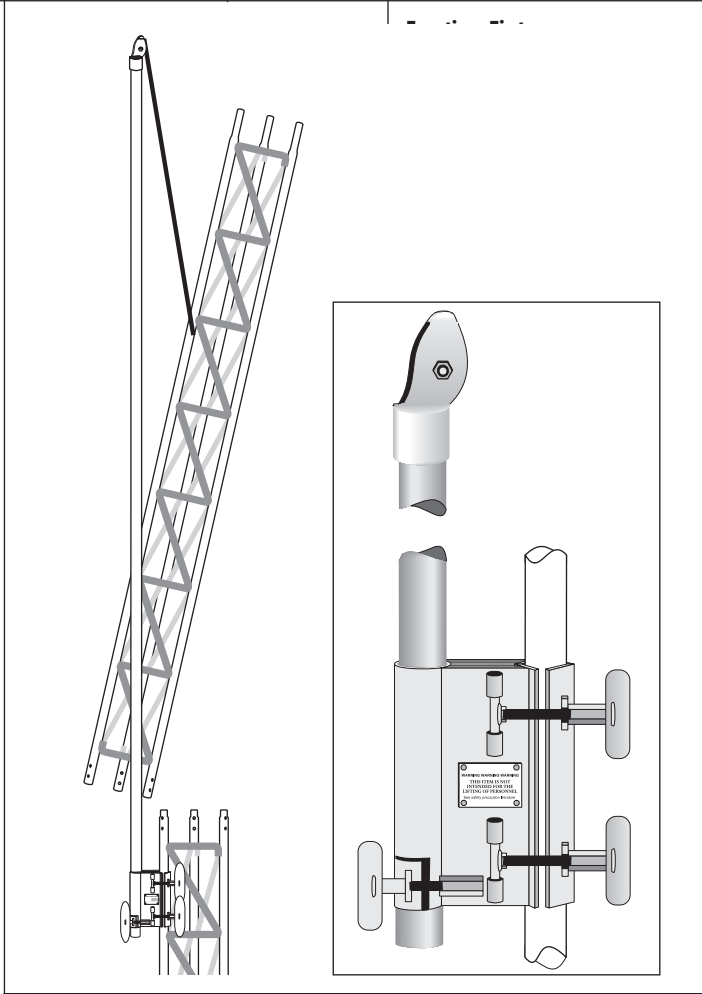


	<p>Bearing Plate BPL25G Long legs provide extra clearance for installation of equipment. Bolts to top of standard section. Drilled to accept TB3 or TB4 thrust bearing.</p>
	<p>Assembly Plate/Top Beacon Plate APL25G For Mounting red beacon. Bolts to top of standard section.</p>
	<p>Thrust Bearing TB3 Supports up to a 2" O.D. mast. TB4 (not shown) Supports up to a 3" O.D. mast.</p>
	<p>Rotor Post (Left) RP25G (Right) RP25G CM Special Rotor Post</p>
	<p>Accessory Shelf AS25G For mounting many popular rotors. Fields drilling may be necessary for some rotors.</p>
	<p>Bearing/Accessory Shelf BA25G Drilling to accept thrust bearing on top plate. Accessory shelf drilled for mounting many popular rotors.</p>
	<p>Tower Bushing TB50 For use in 25AG and ST25AG Top sections 1-1/4" I.D. x 2" O.D. TB75 Tower Bushing 1-1/2" I.D. x 2" O.D.</p>



Copyright 1995 ROHN Specifications subject to change without notice. See ROHN safety publication 93-2754C for important information prior to using, installing or dismantling any towers, parts bases or accessories.