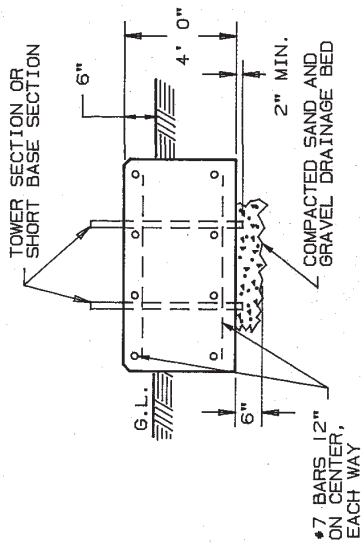


PLAN VIEW



ELEVATION VIEW

TOWER NO.	OVER-TURNING MOMENT FOOT POUNDS	MAX. ALLOW. SHEAR POUNDS	W	CONCRETE REQUIRED CU. YDS.
25G	6,800	700	4' 0"	2.4
45G	12,800	1,600	5' 3"	4.1
55G	22,900	1,600	6' 0"	5.3
65G	49,600	3,800	7' 9"	8.9

**GENERAL NOTES**

- FOR REQUIRED MATERIAL SPECIFICATIONS, INSTALLATION NOTES, AND TOLERANCES SEE DRAWING NUMBER BB41300.
- SEE DRAWING NUMBER AB71266 FOR MAXIMUM TOWER HEIGHTS AND ALLOWABLE ANTENNA AREAS.

No. **▲** Revision Description **▲** Date **▲** By

**UNR-Rohn**

Title **FOUNDATION DETAILS SELF-SUPPORTING 25, 45, 55 & 65 TOWERS**

Scale Unless otherwise specified, dimensions are given in inches.

Drawn by	W.D.U.	Date	9/29/87
Checked by	V.R.F.	Date	9/19/87
Approved by Engineering	X.K.	Date	2/19/88
Approved by Production		Date	

Approved by Sales *PAC* Date *2-19-88* Drawing Number **BB70725**