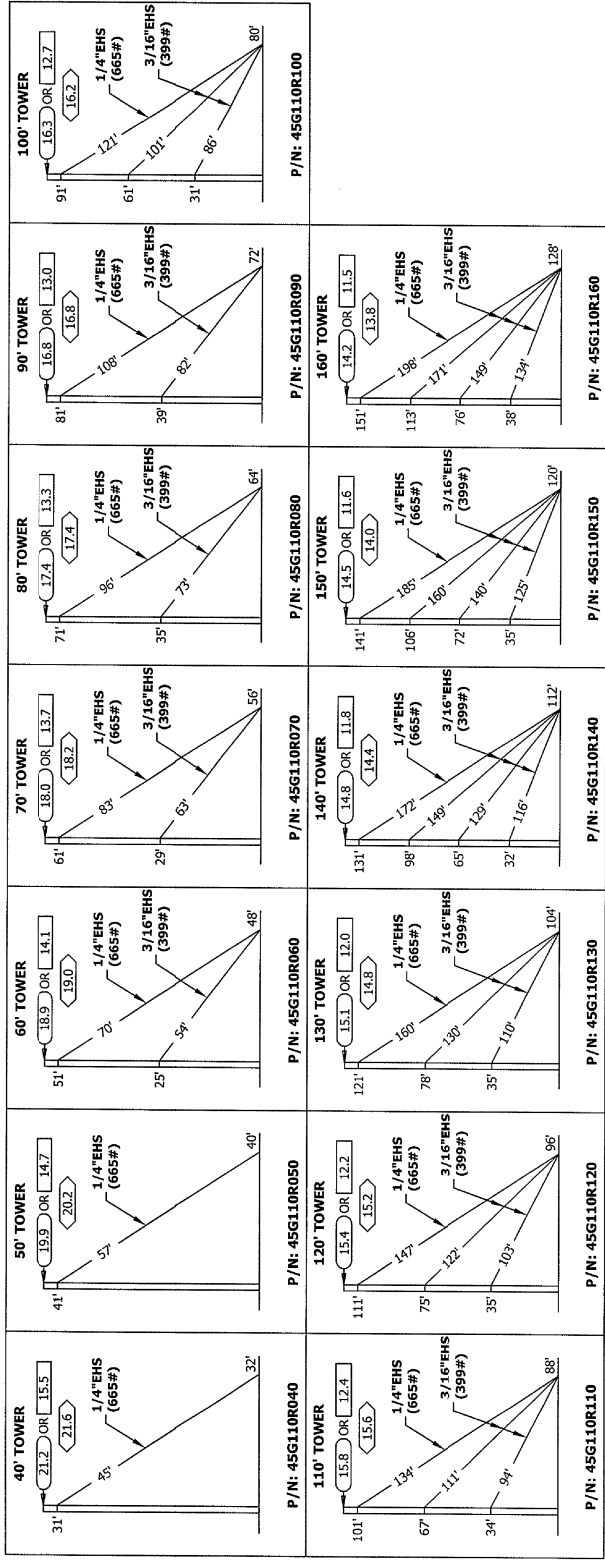


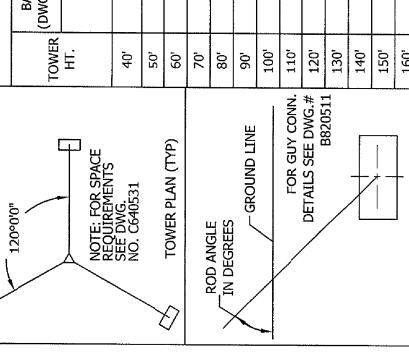
| | | | | |
|-----------|--|-----------------|-----|-----|
| FILE NO. | Standard-45G | | | |
| REVISIONS | | | | |
| REV. | DESCRIPTION | DATE | CHK | APP |
| 1 | REVISIONS TO 45G FROM 45G110R000 TO 45G110R110 | DATE: 3/10/2010 | JMS | HA |



45G TOWER GUYING DETAILS
 40' - 160'
 110MPH 3-SECOND GUST WIND SPEED
 NO ICE (REV G)
 90 MPH FASTEST MILE WIND SPEED
 NO ICE (REV F)

GENERAL NOTES:
 1. TOWER DESIGNS ARE IN ACCORDANCE WITH ANSI/TIA-222-F & ANSI/TIA-222-G, CLASS I STRUCTURES.
 2. ALLOWABLE PROJ. AREA (SQ. FT.) FOR EXPOSURE B - (REV G).
 3. ALLOWABLE PROJ. AREA (SQ. FT.) FOR EXPOSURE C - (REV G).
 4. EFFECTIVE PROJ. AREAS MUST NOT EXCEED THE AREAS SHOWN.
 5. ANTENNAS AND MOUNTS ARE ASSUMED SYMMETRICALLY PLACED AT THE TOWER TOP.
 6. DESIGNS ASSUME TWO 1/2" DIA. LINES ON EACH TOWER FACE.
 7. FOR GUY HARDWARE INSTALLATION DETAILS, SEE DWG. A871382.
 8. ANCHOR RADIUS IS FROM TOWER BASE TO INTERSECTION OF ROD WITH GROUND.
 9. TOWER DESIGNS AND GUY CHORD LENGTHS SHOWN ARE BASED ON LEVEL GROUND, ADD 6 PERCENT TO CHORD LENGTHS (FOR SAG AND CONNECTIONS) FOR FINAL CUT LENGTHS. () INDICATES INITIAL TENSION FOR GUY WIRES IN POUNDS AT 60 DEGREES FAHRENHEIT.
 10. DO NOT INSTALL OR DISMANTLE TOWERS WITHIN FALLING DISTANCE OF ELECTRICAL AND/OR TELEPHONE LINES.
 11. TOWER ERECTION AND DISMANTLING MUST BE DONE BY QUALIFIED AND EXPERIENCED PERSONNEL.
 12. TEMPORARY STEEL GUYS, WHEN REQUIRED DURING ERECTION OR DISMANTLING, MUST BE SUPPLIED AND INSTALLED BY THE ERECTOR.
 13. INSTALL WARNING PLATE (P/N: ACWS) IN A HIGHLY VISIBLE LOCATION.
 14. ALL ANTENNA INSTALLATIONS MUST BE GROUNDED IN ACCORDANCE WITH LOCAL AND NATIONAL CODES.
 15. EXTRA CABLE CLAMPS HAVE BEEN PROVIDED FOR TURNBUCKLE SAFETY REQUIREMENTS. FOR DETAILS SEE DWG. B680324 LATEST REVISION.
 16. PURCHASER SHALL VERIFY THE INSTALLATION IS IN CONFORMANCE WITH LOCAL, STATE AND FEDERAL REQUIREMENTS FOR OBSTRUCTION MARKING AND LIGHTING.
 17. TOLERANCE ON TOWER STEEL IS EQUAL TO PLUS 1% AND MINUS 1/2%.
 18. DESIGNS ASSUME THAT, AS A MINIMUM, MAINTENANCE AND INSPECTION WILL BE PERFORMED OVER THE LIFE OF THE STRUCTURE IN ACCORDANCE WITH ANSI/TIA/EIA-222-G.
 19. ANCHOR RODS CORROSION PROTECTION METHODS TO BE PROVIDED BY OTHERS.

| TOWER HT. | BASE PIER (DWG: B090549) | | ANCHOR DATA (DWG: B090550) | |
|-----------|--------------------------|-----------|----------------------------|-----------|
| | NO. | BLOCK NO. | ROD NO. | ROD ANGLE |
| 40' | CB1G | AB2 | GAC3455TOP | 45 |
| 50' | CB1G | AB2 | GAC3455TOP | 46 |
| 60' | CB1G | AB2 | GAC3455TOP | 41 |
| 70' | CB1G | AB2 | GAC3455TOP | 41 |
| 80' | CB1G | AB2 | GAC3455TOP | 41 |
| 90' | CB1G | AB2 | GAC3455TOP | 41 |
| 100' | CB1G | AB2 | GAC3455TOP | 39 |
| 110' | CB1G | AB2 | GAC3455TOP | 39 |
| 120' | CB1G | AB2 | GAC3455TOP | 39 |
| 130' | CB1G | AB2 | GAC3455TOP | 38 |
| 140' | CB1G | AB2 | GAC3455TOP | 38 |
| 150' | CB1G | AB2 | GAC3455TOP | 38 |
| 160' | CB2G | AB2 | GAC3455TOP | 38 |



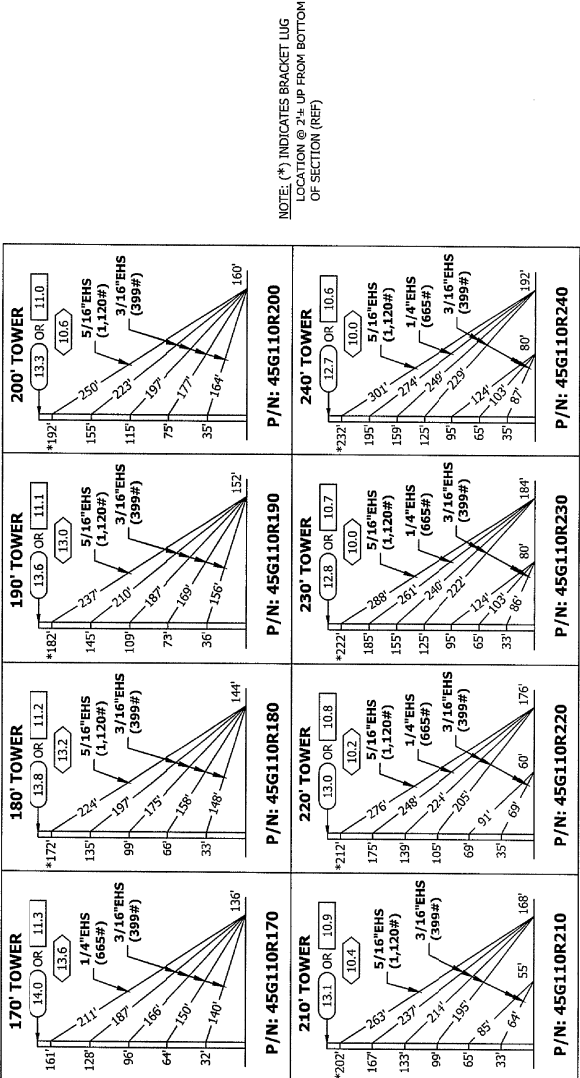
PO BOX 5999
 PEORIA, IL 61601-5999
 TOLL FREE 800-727-ROHN

THIS DRAWING IS THE PROPERTY OF ROHN. IT IS NOT TO BE REPRODUCED, COPIED OR TRACED IN WHOLE OR IN PART WITHOUT OUR WRITTEN CONSENT.

SECTION ASSEMBLY
 45G110 MPH 3-SECOND GUST/NO ICE

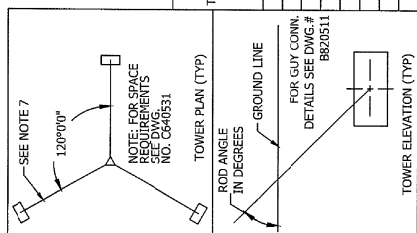
| | | | | | |
|--------|-----|-------|-----|-------|-------------|
| DRAWN: | JMS | CHKD: | KTL | DATE: | Feb/10/2010 |
| ENGR: | | | | | |

| | | | |
|-------------|------------|------|---|
| DRAWING NO: | DWG-0073-1 | REV: | 1 |
|-------------|------------|------|---|



45G TOWER GUYING DETAILS
170' - 240'
110MPH 3-SECOND GUST WIND SPEED
NO ICE (REV G)
90 MPH FASTEST MILE WIND SPEED
NO ICE (REV F)

- GENERAL NOTES:**
- TOWER DESIGNS ARE IN ACCORDANCE WITH ANSI/TIA-222-F & ANSI/TIA-222-G, CLASS 1 STRUCTURES.
 - ALLOWABLE PROD. AREA (SQ. FT.) FOR EXPOSURE B - (REV G).
 - ALLOWABLE PROD. AREA (SQ. FT.) FOR EXPOSURE C - (REV G).
 - EFFECTIVE PROD. AREAS MUST NOT EXCEED THE AREAS SHOWN.
 - ANTENNAS AND MOUNTS ARE ASSUMED SYMMETRICALLY PLACED AT THE TOWER TOP.
 - DESIGNS ASSUME TWO 1/2" DIA. LINES ON EACH TOWER FACE.
 - FOR GUY HARDWARE INSTALLATION DETAILS, SEE DWG. A871382.
 - ANCHOR RADIIUS IS FROM TOWER BASE TO INTERSECTION OF ROD WITH GROUND.
 - TOWER DESIGNS AND GUY CHORD LENGTHS SHOWN ARE BASED ON LEVEL GROUND. ADD 6 PERCENT TO CHORD LENGTHS (FOR SAG AND CONNECTIONS) FOR FINAL CUT LENGTHS. () INDICATES INITIAL TENSION FOR GUY WIRES IN POUNDS AT 60 DEGREES FROM VERTICAL.
 - DO NOT INSTALL OR DISMANTLE TOWERS WITHIN FALLING DISTANCE OF ELECTRICAL AND/OR TELEPHONE LINES.
 - TOWER ERECTION AND DISMANTLING MUST BE DONE BY QUALIFIED AND EXPERIENCED PERSONNEL.
 - TEMPORARY STEEL GUYS, WHEN REQUIRED DURING ERECTION OR DISMANTLING, MUST BE SUPPLIED AND INSTALLED BY THE ERECTOR.
 - INSTALL WARNING PLATE (P/N: ACVS) IN A HIGHLY VISIBLE LOCATION.
 - ALL ANTENNA INSTALLATIONS MUST BE GROUNDED IN ACCORDANCE WITH LOCAL AND NATIONAL CODES.
 - EXTRA CABLE CLAMPS HAVE BEEN PROVIDED FOR TURNBUCKLE SAFETY REQUIREMENTS. FOR DETAILS SEE DWG. B680324 LATEST REVISION.
 - PURCHASER SHALL VERIFY THE INSTALLATION IS IN CONFORMANCE WITH LOCAL, STATE AND FEDERAL REQUIREMENTS FOR OBSTRUCTION MARKING AND LIGHTING.
 - TOLERANCE ON TOWER STEEL IS EQUAL TO PLUS 1% AND MINUS 1/2%.
 - REQUIREMENTS ASSUME THAT, AS A MINIMUM, MAINTENANCE AND INSPECTION WILL BE PERFORMED OVER THE LIFE OF THE STRUCTURE IN ACCORDANCE WITH ANSI/TIA/EIA-222-G.
 - ANCHOR RODS CORROSION PROTECTION METHODS TO BE PROVIDED BY OTHERS.



| TOWER HT. | BASE PIER NO. (DWG: B09005/9) | INNER ANCHOR DATA (DWG: B090550) | | | OUTER ANCHOR DATA (DWG: B09005/50) | | |
|-----------|-------------------------------|----------------------------------|------------|-----------|------------------------------------|------------|-----------|
| | | BLOCK NO. | ROD NO. | ROD ANGLE | BLOCK NO. | ROD NO. | ROD ANGLE |
| 170' | CB2G | AB3 | GAC3655TOP | 37 | | | |
| 180' | CB2G | AB3 | GAC3655TOP | 37 | | | |
| 190' | CB2G | AB3 | GAC3655TOP | 37 | | | |
| 200' | CB2G | AB3 | GAC3655TOP | 37 | | | |
| 210' | CB3G | AB1 | GAC3455TOP | 41 | AB3 | GAC3655TOP | 42 |
| 220' | CB3G | AB1 | GAC3455TOP | 41 | AB3 | GAC3655TOP | 42 |
| 230' | CB3G | AB2 | GAC3455TOP | 38 | AB3 | GAC3655TOP | 43 |
| 240' | CB3G | AB2 | GAC3455TOP | 39 | AB3 | GAC3655TOP | 43 |

FILE NO.

Standard-SSV

| REVISIONS | | DRAWN | CHECKED | APP'D |
|-----------|-----------------------|-----------|---------|-----------|
| REV. | DESCRIPTION | | | |
| 0 | ISSUANCE FOR APPROVAL | | | |
| | DATE | 3/11/2006 | 30A | 30A/ H.A. |

FOUNDATION AND ANCHOR TOLERANCES

ALL FOUNDATIONS

1. CONCRETE DIMENSIONS - PLUS OR MINUS 1" (25mm).
2. DEPTH OF FOUNDATION - PLUS 3" (76mm) OR MINUS 0".
3. DRILLED FOUNDATIONS OUT OF PLUMB - 1.0 DEGREE.
4. REINFORCING STEEL PLACEMENT - PER A.C.I. 301.
5. PROJECTION OF EMBEDMENTS - PLUS OR MINUS 1/8" (3mm).
6. VERTICAL EMBEDMENTS OUT OF PLUMB - 0.5 DEGREE.

ANCHOR BOLTS

7. MAXIMUM DISTANCE FROM CENTERLINE OF ANCHOR BOLTS TO CENTERLINE OF FOUNDATION - 1/24 OF PIER DIAMETER UP TO A MAXIMUM OF 2" (51mm).
8. ANCHOR BOLT SPACING - 1/16" (2mm).
9. ANCHOR BOLT CIRCLE ORIENTATION - 0.25 DEGREE.
10. ANCHOR BOLT CIRCLE DIAMETER - PLUS OR MINUS 1/16" (2mm).

SELF-SUPPORTING TOWERS

11. FACE SPREAD DIMENSION CENTER TO CENTER OF ANCHOR BOLT CIRCLES - PLUS OR MINUS 1/16" (2mm) OR 1/16" (2mm) PER 20 FT. (6m) OF FACE SPREAD.
12. MAXIMUM DIFFERENCE BETWEEN ANY TWO FOUNDATION ELEVATIONS - 1/2" (13mm).

GUYED TOWERS

13. GUY RADIUS - PLUS OR MINUS 5% OF DISTANCE SPECIFIED.
14. ANCHOR ELEVATION - PLUS OR MINUS 5% OF GUY RADIUS.
15. ANCHOR ALIGNMENT (PERPENDICULAR TO GUY RADIUS) - 1.0 DEGREE.
16. ANCHOR ROD SLOPE - PLUS OR MINUS 1.0 DEGREE.
17. ANCHOR ROD ALIGNMENT WITH GUY RADIUS PLUS OR MINUS 1.0 DEGREE.
18. ANCHOR HEAD OUT OF PLUMB - 1.0 DEGREE.
19. GUY INITIAL TENSION - PLUS OR MINUS 10% OF TENSION SPECIFIED.

NOTE: TOLERANCES IN NOTES 13 AND 14 CAN NOT OCCUR SIMULTANEOUSLY

WARNING!!!

AFTER ANCHOR BOLTS ARE INSTALLED IN CONCRETE HAS TAKEN ITS INITIAL SET, ANCHOR BOLTS MUST NOT BE MOVED, BENT OR REALIGNED IN ANY MANNER. A NUT LOCKING DEVICE MUST BE INSTALLED ON ALL ANCHOR BOLTS.

DWG REFERENCE

| |
|--|
| |
| |
| |
| |
| |
| |
| |
| |



6718 WEST PLANK ROAD
PEORIA, IL 61604

TOLL FREE 800-727-ROHN
FOR SALES AND SERVICE

THIS DRAWING IS THE PROPERTY OF ROHN. IT IS NOT TO BE REPRODUCED, COPIED OR TRACED IN WHOLE OR IN PART WITHOUT OUR WRITTEN CONSENT.

FOUNDATION & ANCHOR TOLERANCE

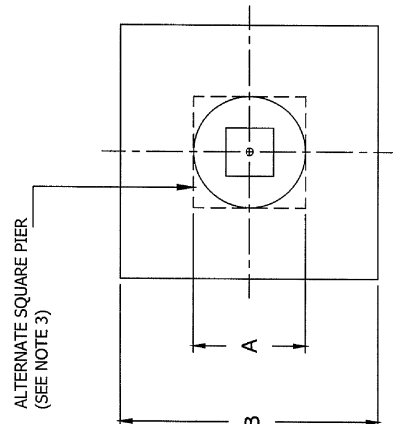
DWN: CSR CKCD: KTL DATE: Sep/25/1987

ENGR: XK

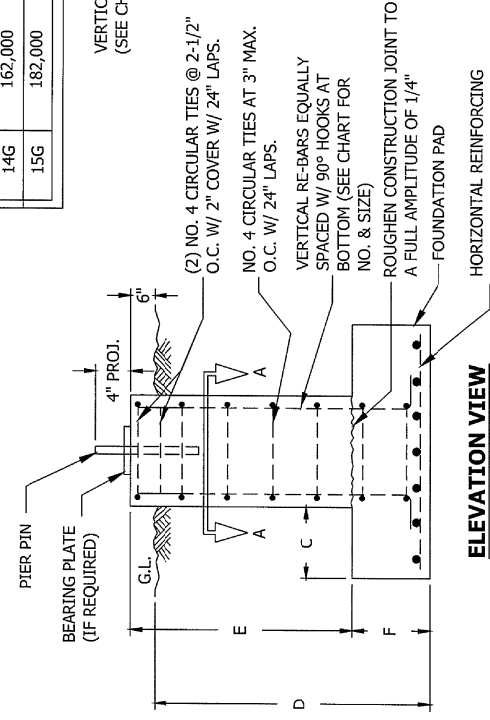
DRAWING NO: A810214 REV: 8

CONCRETE BASE SCHEDULE FOR ANSI/TIA-222-G PRESUMPTIVE CLAY SOIL

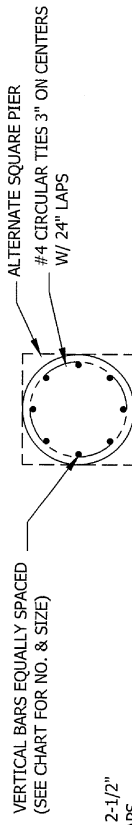
| CB NO. | TOWER BASE REACTION (LBS) | DIMENSIONS | | | | | | BEARING PLATE | CONC. (CU. YDS RD PIER) | VERTICAL BARS (NO. & SIZE) | HORIZ. BARS IN PAD (NO. & SIZE) |
|--------|---------------------------|------------|-------|-------|-------|-------|-------|---------------|-------------------------|----------------------------|---------------------------------|
| | | * A | B | C | D | E | F | | | | |
| 1G | 12,000 | 2'-6" | 2'-6" | 0 | 4'-0" | 0 | 0 | BP6 | 0.80 | 8 NO. 7 | NONE |
| 2G | 17,000 | 3'-0" | 3'-0" | 0 | 4'-0" | 0 | 0 | BP6 | 1.20 | 10 NO. 7 | NONE |
| 3G | 23,000 | 3'-6" | 3'-6" | 0 | 4'-0" | 0 | 0 | BP6 | 1.60 | 12 NO. 7 | NONE |
| 4G | 30,000 | 4'-0" | 4'-0" | 0 | 4'-0" | 0 | 0 | BP6 | 2.10 | 12 NO. 8 | NONE |
| 5G | 38,000 | 2'-0" | 4'-0" | 1'-0" | 4'-0" | 3'-3" | 1'-3" | BP6 | 1.10 | 8 NO. 6 | 5 NO. 5 |
| 6G | 48,000 | 2'-0" | 4'-6" | 1'-3" | 4'-0" | 3'-3" | 1'-3" | BP6 | 1.30 | 8 NO. 6 | 6 NO. 5 |
| 7G | 58,000 | 2'-0" | 5'-0" | 1'-6" | 4'-6" | 3'-9" | 1'-3" | BP10 | 1.60 | 8 NO. 6 | 6 NO. 5 |
| 8G | 71,000 | 2'-0" | 5'-6" | 1'-9" | 4'-6" | 3'-9" | 1'-3" | BP10 | 1.80 | 8 NO. 6 | 7 NO. 5 |
| 9G | 84,000 | 2'-0" | 6'-0" | 2'-0" | 4'-6" | 3'-6" | 1'-6" | BP10 | 2.40 | 8 NO. 6 | 7 NO. 6 |
| 10G | 99,000 | 2'-0" | 6'-6" | 2'-3" | 4'-6" | 3'-6" | 1'-6" | BP10 | 2.80 | 8 NO. 6 | 8 NO. 5 |
| 11G | 111,000 | 2'-6" | 7'-0" | 2'-3" | 5'-0" | 3'-9" | 1'-9" | BP15 | 3.90 | 8 NO. 7 | 8 NO. 6 |
| 12G | 127,000 | 2'-6" | 7'-6" | 2'-6" | 5'-0" | 3'-9" | 1'-9" | BP15 | 4.30 | 8 NO. 7 | 9 NO. 6 |
| 13G | 145,000 | 2'-6" | 8'-0" | 2'-9" | 5'-0" | 3'-9" | 1'-9" | BP15 | 4.80 | 8 NO. 7 | 9 NO. 6 |
| 14G | 162,000 | 3'-0" | 8'-6" | 2'-9" | 5'-0" | 3'-6" | 2'-0" | BP15 | 6.30 | 12 NO. 7 | 9 NO. 7 |
| 15G | 182,000 | 3'-0" | 9'-0" | 3'-0" | 5'-0" | 3'-6" | 2'-0" | BP15 | 6.90 | 12 NO. 7 | 10 NO. 7 |



PLAN VIEW



ELEVATION VIEW



SECTION A-A

- NOTES:
- SEE TOWER ASSEMBLY DRAWING FOR FOUNDATION LAYOUT AND PART NUMBERS FOR BEARING PLATE & PIER PIN.
 - SEE DRAWING NUMBER B090548 FOR STANDARD FOUNDATION NOTES. * 3. USE MIN. 2'-6" SQ. OR 3'-0" DIA. ROUND PIER WHEN BPC45G OR BPC55G IS USED.
 - VERTICAL REINFORCING STEEL SHALL BE REPLACED WITH STRAIGHT BARS WHEN NO PAD IS REQUIRED.
 - HORIZ. BARS IN CHART REFER ONLY TO THE BARS IN THE FOUNDATION PAD.



FOUNDATION
 BASE PIER FOR REV. G PRESUMPTIVE CLAY

DWG: PAD
 ENGR: HA
 DATE: 10/24/2009
 DRAWING NO: B090549
 REV: 0

FILE NO.

STD/PUBLIC

| REVISIONS | | DATE | CHKD | APP |
|-----------|--|------|------|-----|
| REV | DESCRIPTION | | | |
| 1 | ASB ADDED | FAD | HA | HA |
| 2 | DATE: 06/02/2009 SLOPE E' NOTES CHANGED | 6/2 | HA | HA |
| 3 | DATE: 06/02/2010 UPDATED LAYOUT | FAD | HA | HA |

DWG REFERENCE

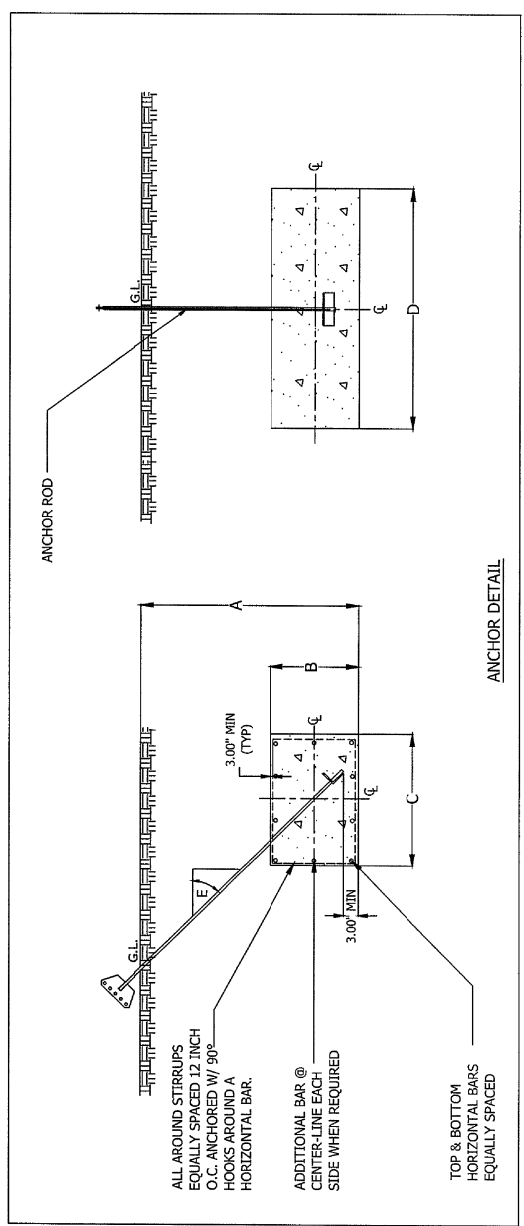
ANCHOR BLOCK REV. G PRESUMPTIVE CLAY

FOUNDATION

ANCHOR BLOCK REV. G PRESUMPTIVE CLAY

DRAWING NO: 8090550

REV: 3



| BLOCK | ANCHOR DIMENSIONS (IN.) | | | | HORIZONTAL BARS QTY./SIZE | STIRRUPS SIZE & SPACING | CONCRETE VOL. (CU. YDS.) | UPLIFT CAPACITY (LBS) | LATERAL CAPACITY (LBS) |
|-------|-------------------------|-------|-------|--------|---|-------------------------|------------------------------------|-----------------------|------------------------|
| | A | B | C | D | | | | | |
| AB1 | 3'-0" | 1'-0" | 3'-0" | 4'-0" | (8) #5 BARS TOTAL (4) #5 BARS TOP AND BOTTOM LAYERS (0) ADDITIONAL BAR EACH SIDE | #3 @ 12" O.C. | 0.44 PER BLOCK 1.33 TOTAL FOR 3 | 4,800 | 2,150 |
| AB2 | 4'-0" | 1'-6" | 4'-0" | 6'-0" | (10) #6 BARS TOTAL (5) #6 BARS TOP AND BOTTOM LAYERS (0) ADDITIONAL BAR EACH SIDE | #3 @ 12" O.C. | 1.33 PER BLOCK 4.0 TOTAL FOR 3 | 12,600 | 6,480 |
| AB3 | 6'-0" | 1'-6" | 3'-0" | 6'-0" | (8) #6 BARS TOTAL (4) #6 BARS TOP AND BOTTOM LAYERS (0) ADDITIONAL BAR EACH SIDE | #3 @ 12" O.C. | 1.0 PER BLOCK 3.0 TOTAL FOR 3 | 18,700 | 10,500 |
| AB4 | 6'-0" | 1'-6" | 4'-0" | 9'-0" | (5) #6 BARS TOTAL (4) #7 BARS TOP AND BOTTOM LAYERS (1) ADDITIONAL BAR EACH SIDE | #4 @ 12" O.C. | 2.0 PER BLOCK 6.0 TOTAL FOR 3 | 32,500 | 15,800 |
| AB5 | 8'-0" | 2'-0" | 3'-0" | 10'-0" | (10) #7 BARS TOTAL (4) #7 BARS TOP AND BOTTOM LAYERS (1) ADDITIONAL BAR EACH SIDE | #4 @ 12" O.C. | 2.22 PER BLOCK 6.7 TOTAL FOR 3 | 43,000 | 21,000 |
| AB6 | 8'-0" | 2'-0" | 4'-0" | 10'-0" | (12) #7 BARS TOTAL (5) #7 BARS TOP AND BOTTOM LAYERS (1) ADDITIONAL BAR EACH SIDE | #4 @ 12" O.C. | 2.96 PER BLOCK 8.9 TOTAL FOR 3 | 52,000 | 26,500 |

(SEE TOWER ASSEMBLY DRAWING FOR ANCHOR ROD SLOPE 'E')

- GENERAL NOTES
- SEE DRAWING NUMBER B090548 FOR STANDARD FOUNDATION NOTES.
 - ALL HORIZONTAL BARS MUST BE CONTINUOUS. DUE TO VARIABLES INVOLVED DURING INSTALLATION, IT SHALL BE THE CUSTOMER'S OR INSTALLER'S RESPONSIBILITY TO PROVIDE STRUCTURALLY ADEQUATE SUPPORTS FOR BASE AND ANCHOR CONNECTIONS. IT MAY ALSO BE NECESSARY FOR THE CUSTOMER OR INSTALLER TO SECURE THE SERVICE OF A LOCAL ENGINEER TO DETERMINE THAT INSTALLATION COMPLIES WITH LOCAL BUILDING CODES.
 - ADDITIONAL CORROSION PROTECTION MAY BE REQUIRED FOR STEEL GUY ANCHORS IN DIRECT CONTACT WITH SOIL.



6718 WEST PLANK ROAD
PEORIA, IL 61604
TOLL FREE 800-727-ROHN
FOR MATERIALS QUOTE

THIS DRAWING IS THE PROPERTY OF ROHN. IT IS NOT TO BE REPRODUCED, COPIED, OR IN ANY MANNER WITHOUT OUR WRITTEN CONSENT.

FOUNDATION
ANCHOR BLOCK REV. G PRESUMPTIVE CLAY

DRAWN: FAD
CHKD: HA
DATE: Nov/24/2009

DRAWING NO: 8090550

REV: 3

**STANDARD FOUNDATION NOTES
ANSI/TIA-222-G**

1. STANDARD FOUNDATION DESIGNS ARE IN ACCORDANCE WITH ANSI/TIA-222-G, "STRUCTURAL STANDARDS FOR STEEL ANTENNA TOWERS AND ANTENNA SUPPORTING STRUCTURES", SECTION 9 AND ANNEX F FOR THE FOLLOWING PRESUMPTIVE CLAY SOIL PARAMETERS:

| N (blows/ft) (blows/m) | φ (deg) | γ (lb/ft ³) (kN/m ³) | C (psf) (kPa) | Ultimate Bearing [psf] | | Ultimate Skin Friction (psf) (kPa) | k (psi) (kN/m ²) | E _s |
|------------------------------|------------|--|---------------------|---------------------------|---------------|---|------------------------------------|----------------|
| | | | | Shallow Frds. | Deep Frds. | | | |
| 8 [26] | 0 | 110 [17] | 1000 [48] | 5000 [240] | 9000 [431] | 500 [24] | 150 [41,000] | 0.01 |

2. THE PURCHASER MUST VERIFY THAT ACTUAL SITE SOIL PARAMETERS MEET OR EXCEED ANSI/TIA-222-G PRESUMPTIVE CLAY SOIL DESIGN PARAMETERS AND THAT THE PENETRATION AND/OR ZONE OF SEASONAL MOISTURE VARIATION AT THE SITE. FOUNDATION DESIGN MODIFICATIONS MAY BE REQUIRED IN THE EVENT PRESUMPTIVE CLAY SOIL PARAMETERS ARE NOT APPLICABLE FOR THE ACTUAL SURFACE CONDITIONS ENCOUNTERED.
3. A SITE-SPECIFIC INVESTIGATION IS REQUIRED FOR CLASS III STRUCTURES IN ACCORDANCE WITH ANSI/TIA-222-G.
4. FOUNDATION DESIGNS ASSUME FIELD INSPECTIONS WILL BE PERFORMED BY THE PURCHASER'S REPRESENTATIVE TO VERIFY THAT CONSTRUCTION MATERIALS, INSTALLATION METHODS AND ASSUMED DESIGN PARAMETERS ARE ACCEPTABLE BASED ON THE CONDITIONS EXISTING AT THE SITE.
5. WORK SHALL BE IN ACCORDANCE WITH LOCAL CODES, SAFETY REGULATIONS AND UNLESS OTHERWISE NOTED, THE LATEST REVISION OF ACI 318, "BUILDING CODE REQUIREMENTS FOR REINFORCED CONCRETE". PROCEDURES FOR THE PROTECTION OF EXCAVATIONS, EXISTING CONSTRUCTION AND UTILITIES SHALL BE ESTABLISHED PRIOR TO FOUNDATION INSTALLATION.
6. CONCRETE MATERIALS SHALL CONFORM TO THE APPROPRIATE STATE REQUIREMENTS FOR EXPOSED STRUCTURAL CONCRETE.
7. PROPORTIONS OF CONCRETE MATERIALS SHALL BE SUITABLE FOR THE INSTALLATION METHOD UTILIZED AND SHALL RESULT IN DURABLE CONCRETE FOR RESISTANCE TO LOCAL ANTICIPATED AGGRESSIVE ACTIONS. THE DURABILITY REQUIREMENT OF ACI 318 CHAPTER 4 SHALL BE SATISFIED BASED ON THE CONDITIONS EXPECTED AT THE SITE. AS A MINIMUM, CONCRETE SHALL DEVELOP A MINIMUM COMPRESSIVE STRENGTH OF 4000 PSI (27.6 MPa) IN 28 DAYS.
8. MAXIMUM SIZE OF AGGREGATE SHALL NOT EXCEED SIZE SUITABLE FOR INSTALLATION METHOD UTILIZED OR 1/3 CLEAR DISTANCE BEHIND OR BETWEEN REINFORCING. MAXIMUM SIZE MAY BE INCREASED TO 2/3 CLEAR DISTANCE PROVIDED WORKABILITY AND METHODS OF CONSOLIDATION SUCH AS VIBRATING WILL PREVENT HONEYCOMBS OR VOIDS.
9. REINFORCEMENT SHALL BE DEFORMED AND CONFORM TO THE REQUIREMENTS OF ASTM A615 GRADE 60 UNLESS OTHERWISE NOTED. SPLICES IN REINFORCEMENT SHALL NOT BE ALLOWED UNLESS OTHERWISE INDICATED.
10. REINFORCING CAGES SHALL BE BRACED TO RETAIN PROPER DIMENSIONS DURING HANDLING, THROUGHOUT PLACEMENT OF CONCRETE AND DURING EXTRACTION OF TEMPORARY CASING.
11. WELDING IS PROHIBITED ON REINFORCING STEEL AND EMBEDMENTS.

FILE NO.

| REVISIONS | | | |
|-----------|------------------------------|-----------------|----|
| REV | DESCRIPTION | DATE | BY |
| 1 | ISSUED NOTES AND DESCRIPTION | JEC 2/24 | HA |
| | | DATE: 6/20/2022 | |



THIS DRAWING IS THE PROPERTY OF RHIN. IT IS NOT TO BE REPRODUCED, COPIED OR TRANSMITTED IN WHOLE OR IN PART WITHOUT THE WRITTEN PERMISSION OF RHIN.

ANSI/TIA-222-G
STANDARD FOUNDATION NOTES

| | | |
|----------------------|------------------|-------------------|
| DRAWN: PAD | CHECKED: HA | DATE: NOV/20/2009 |
| ENGINEER: HA | DESIGNED BY: HA | SHEET #: |
| PROJECT ENGINEER: HA | PROJECT MANAGER: | 1 OF 1 |
| DRAWING NO.: B090548 | REV: | 1 |

| | | | |
|-----------|---|-------------|-------------|
| FILE NO. | | Standard-80 | |
| REVISIONS | | | |
| REV# | DESCRIPTION | DATE | CHKD. APPR. |
| 1 | ISSUED FOR CONSTRUCTION | 02/04/04 | HA |
| 2 | REWORK IN AUTOCAD | 04/04/04 | HA |
| 3 | DATE: 04/22/2006 ADDED ANCHOR INSERTION NOTE TO BLOCK DETAIL | 04/22/06 | HA |
| 4 | DATE: 04/15/2010 | 04/15/10 | HA |

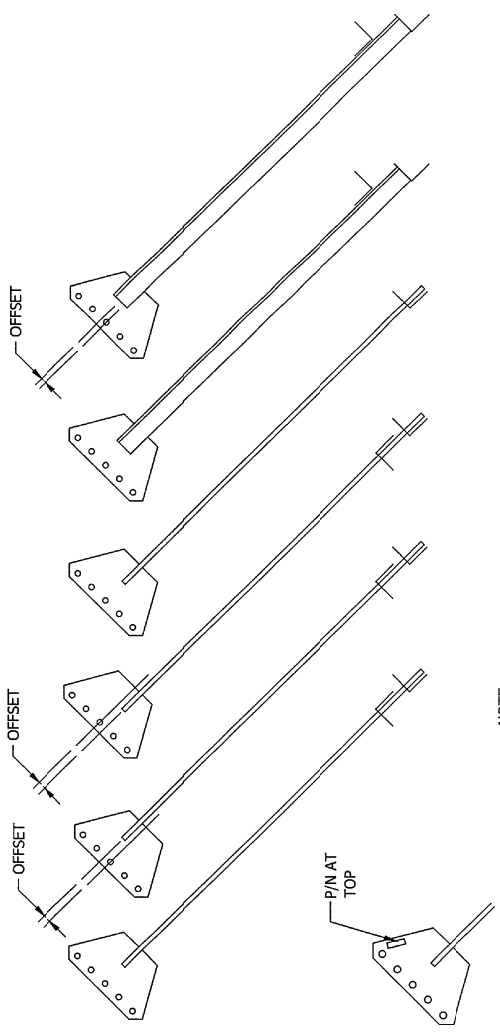
| | |
|---------------|--|
| DWG REFERENCE | |
| | |
| | |
| | |
| | |
| | |
| | |
| | |

ROHN
PRODUCTS
6718 WEST PLANK ROAD
PEORIA, IL 61604
TOLL FREE 800-727-ROHN

THIS DRAWING IS THE PROPERTY OF ROHN. IT IS NOT TO BE REPRODUCED, COPIED, OR IN ANY MANNER WITHOUT OUR WRITTEN CONSENT.

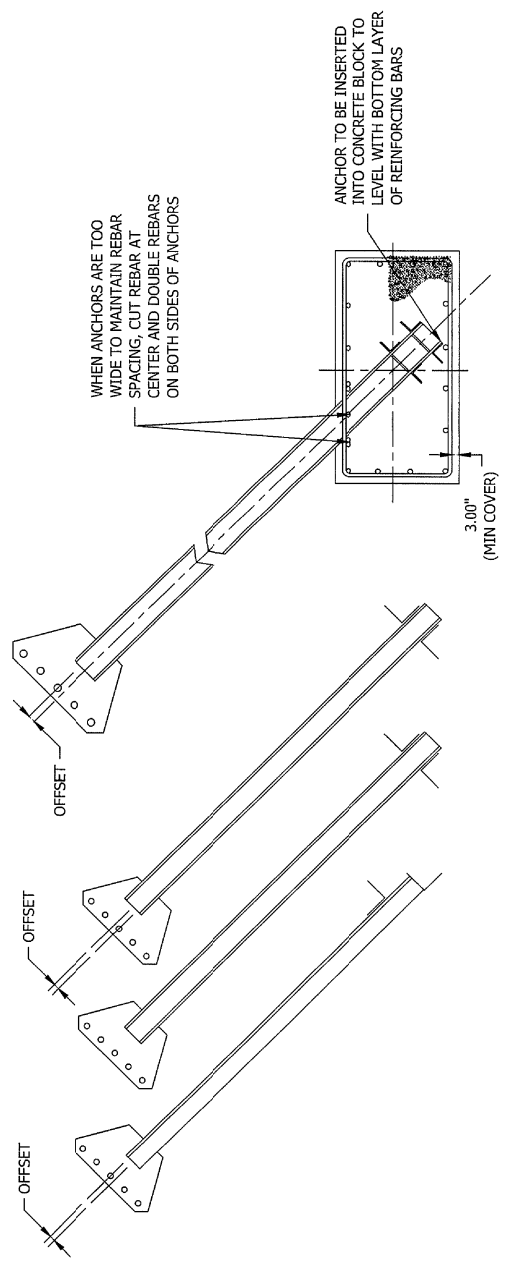
ANCHOR INSTALLATION DETAIL
ANCHOR INSTALLATION DETAIL

| | | | | | | |
|--------------|---------|-------|--------|-------|------------|---|
| OWNER: | B. N. | CHKD: | W.D.U. | DATE: | 11/22/1995 | |
| ENGINEER: | T.W.S. | | | | | |
| DRAWING NO.: | A951409 | | | | REV#: | 3 |



NOTE: INSTALL ANCHORS IN BLOCKS WITH EMBEDMENT ANGLES ORIENTED AS SHOWN AND WITH P/N AT TOP AS SHOWN.

TYPICAL DETAIL



FILE NO. Standard-80

| REV. | DESCRIPTION | DATE | CHK | APP |
|------|--------------------|------|-----|-----|
| 4 | REVISION 3/20/2008 | | | |
| 3 | ADD NOTE #2 | | | |
| 2 | DATE: 10/12/2006 | | | |

DWG REFERENCE

| |
|--|
| |
| |
| |
| |
| |
| |
| |
| |
| |

TOWER HEIGHT

| |
|-------|
| 550' |
| 600' |
| 650' |
| 700' |
| 750' |
| 800' |
| 850' |
| 900' |
| 950' |
| 1000' |
| 1050' |
| 1100' |
| 1150' |
| 1200' |

LAYOUT A

| | | |
|-------|------|------|
| ACRES | 795' | 690' |
| A | 795' | 690' |
| B | 795' | 690' |
| C | 795' | 690' |

LAYOUT B

| | | |
|-------|------|------|
| ACRES | 795' | 690' |
| A | 795' | 690' |
| B | 795' | 690' |
| C | 795' | 690' |

ROHN PRODUCTS
6718 WEST PLANK ROAD
FOONIA, IL 61694
TOLL FREE 800-727-ROHN

THIS DRAWING IS THE PROPERTY OF ROHN. IT IS NOT TO BE REPRODUCED, COPIED OR TRACKED IN WHOLE OR IN PART WITHOUT PERMISSION FROM ROHN.

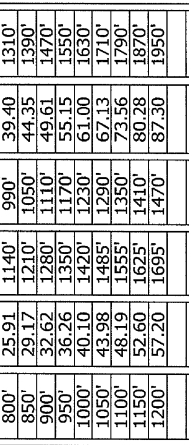
GUY ANCHOR
LAND REQUIREMENT DETAIL

| | | | | | |
|--------------|---------|-------|----|-------|-------------|
| DWN: | MSR | CHKD: | OH | DATE: | APR/15/1975 |
| ENGR: | CW | | | | |
| DRAWING NO.: | C640531 | | | | |
| REV: | | | | | 4 |

ANCHOR ROD

CONCRETE ANCHOR BLOCK

POINT AT WHICH ANCHOR ROD ENTERS THE EARTH (ASSUMING LEVEL GRADE)



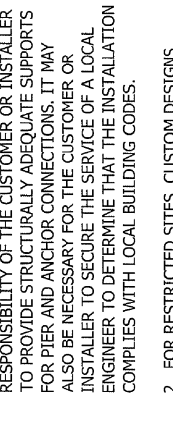
LAYOUT A

THIS IS THE MINIMUM AREA OF LAND REQUIRED. HOWEVER, THIS AREA WILL NOT ALWAYS PERMIT ORIENTING TOWER INTO THE BEST POSITION FOR ANTENNA PATH DIRECTION.

ANCHOR ROD

CONCRETE ANCHOR BLOCK

POINT AT WHICH ANCHOR ROD ENTERS THE EARTH (ASSUMING LEVEL GRADE)



LAYOUT B

THIS IS THE MINIMUM AREA OF LAND REQUIRED TO PERMIT ORIENTING THE TOWER IN ANY POSITION FOR ANTENNA PATH DIRECTION.

GENERAL NOTES

1. DUE TO VARIABLES INVOLVED IN ROOF AND OTHER INSTALLATIONS, IT SHALL BE THE RESPONSIBILITY OF THE CUSTOMER OR INSTALLER TO PROVIDE STRUCTURALLY ADEQUATE SUPPORTS FOR PIER AND ANCHOR CONNECTIONS. IT MAY ALSO BE NECESSARY FOR THE CUSTOMER OR INSTALLER TO SECURE THE SERVICE OF A LOCAL ENGINEER TO DETERMINE THAT THE INSTALLATION COMPLIES WITH LOCAL BUILDING CODES.
2. FOR RESTRICTED SITES, CUSTOMER DESIGNS WITH STRONGER MASTS AND LARGER GUYS MAY BE PROVIDED BY REDUCING THE GUY RADIUS FROM 80% TO 40% OF THE TOWER HEIGHT.

FILE NO.

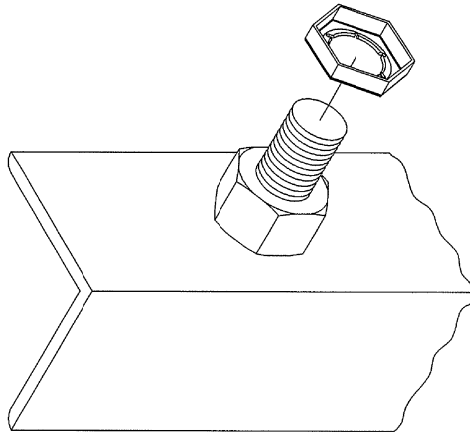
| REVISIONS | | | |
|-----------|-----------------|---------------|---------|
| REV | DESCRIPTION | DATE | CHK APP |
| 7 | CHANGE NOTATION | SEC 30N 14 | |
| | | DATE 07/12/12 | |

ASSEMBLY BOLT INSTALLATION

1. UNLESS OTHERWISE SPECIFIED, ASSEMBLY BOLTS AND ANCHOR BOLTS ARE TO BE TIGHTENED TO A SNIUG TIGHT CONDITION (MEMBERS IN FIRM CONTACT) AND MUST INCLUDE A NUT LOCKING DEVICE. NO MINIMUM BOLT TENSION OR TORQUE VALUES ARE REQUIRED. WHEN LOCK WASHERS ARE PROVIDED AS A NUT LOCKING DEVICE, REPLACE ANY DAMAGED WASHERS DUE TO OVER TIGHTENING.
2. WASHERS ARE TO BE INSTALLED OVER SLOTTED HOLES.

PAL NUT INSTALLATION

1. PAL NUTS ARE TO BE INSTALLED AFTER NUTS ARE TIGHT AND WITH EDGE LIP OUT (SEE PICTURE). PAL NUTS ARE NOT REQUIRED WHEN SELF-LOCKING NUTS OR LOCK WASHERS ARE PROVIDED.



PO BOX 9999
PEORIA, IL 61601-9999
TOLL FREE 800-727-ROHN


THIS DRAWING IS THE PROPERTY OF ROHN. IT IS NOT TO BE REPRODUCED, COPIED OR TRANSMITTED IN ANY FORM OR BY ANY MEANS, WITHOUT THE WRITTEN CONSENT OF ROHN.

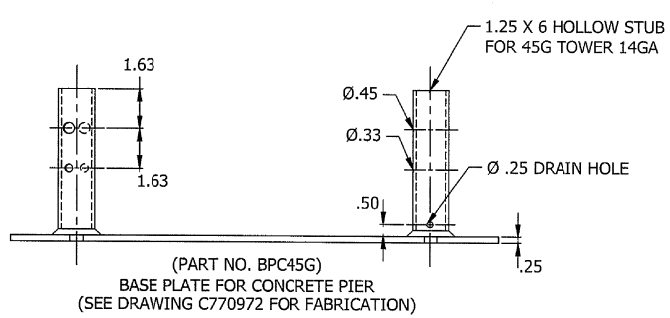
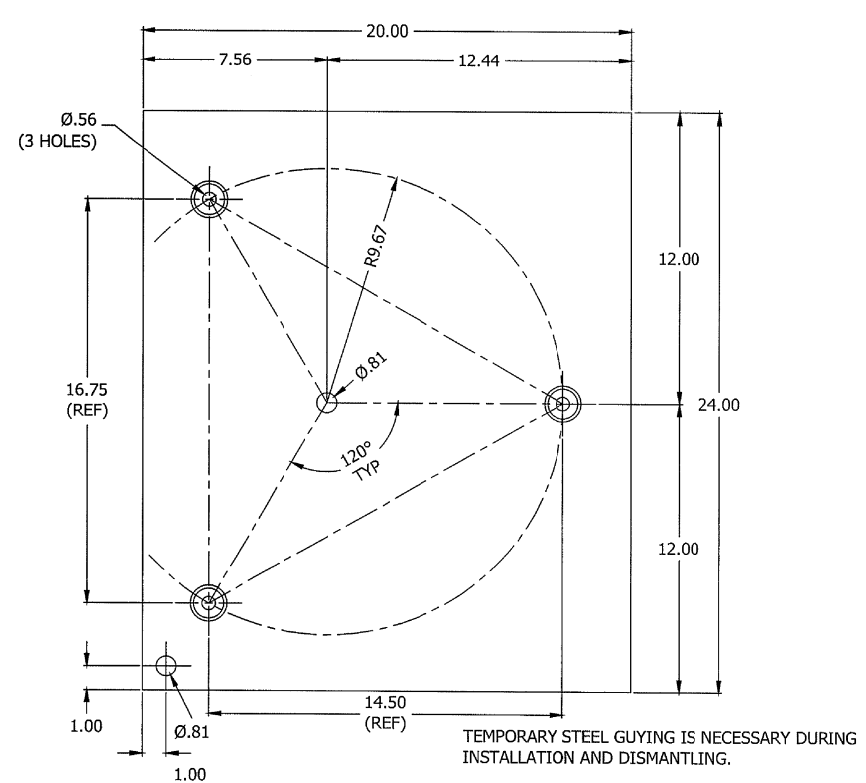
BOLT ASSEMBLY INSTALLATION

| | | |
|-------------|-------|----------|
| DRAWN: | CHKD: | DATE: |
| OH | | 07/05/79 |
| ENGR: | TWS | SHEET #: |
| | | 1 OF 1 |
| DRAWING NO: | REV: | |
| A790135 | 7 | |

| | | | |
|----------|-----------------|-----|------|
| FILE NO. | Standard-45G | | |
| REV. | DESCRIPTION | DWN | CHK |
| 8 | REWORK & REISED | JDA | KTL |
| DATE | 05/01/2005 | | H.A. |

| | |
|-------------------|--|
| DRAWING REFERENCE | |
| C770972 | |
| B690606 | |
| | |
| | |
| | |
| | |
| | |

| | |
|---|-------------|
|  PRODUCTS 6718 WEST PLANK ROAD PEORIA, IL 61694 TOLL FREE 800-727-ROHN <small>THIS DRAWING IS THE PROPERTY OF ROHN. IT IS NOT TO BE REPRODUCED, COPIED OR TRACED IN WHOLE OR IN PART WITHOUT PERMISSION OF ROHN.</small> | |
| BASE SECTION 45G CONCRETE BASE PLATE ASSY | |
| DWN: | OH |
| CHKD: | KTL |
| DATE: | JUN/20/1964 |
| ENGR: | RAM |
| DRAWING NO.: | C640645 |
| REV.: | 8 |



- NOTES:
1. DUE TO VARIABLES INVOLVED IN ROOF AND OTHER INSTALLATIONS, IT SHALL BE THE CUSTOMER'S OR INSTALLERS RESPONSIBILITY TO PROVIDE STRUCTURALLY ADEQUATE SUPPORTS FOR PIER & ANCHOR CONNECTIONS. IT MAY ALSO BE NECESSARY FOR THE CUSTOMER OR INSTALLER TO SECURE THE SERVICE OF A LOCAL ENGINEER TO DETERMINE THAT INSTALLATION COMPLIES WITH LOCAL BUILDING CODES.
 2. AFTER GALVANIZING CHECK DRAIN HOLES TO SEE THAT THEY ARE NOT PLUGGED.
 3. FOR USE WITH GUYED AND BRACKETED TOWERS ONLY.

FILE NO. Standard-SSV

| REVISIONS | | DWN | CHK | APP |
|-----------|------------------|-----|-----|-----|
| REV | DESCRIPTION | | | |
| 2 | RESUBMIT | CH | ATL | HA |
| | DATE: 06/18/2006 | | | |

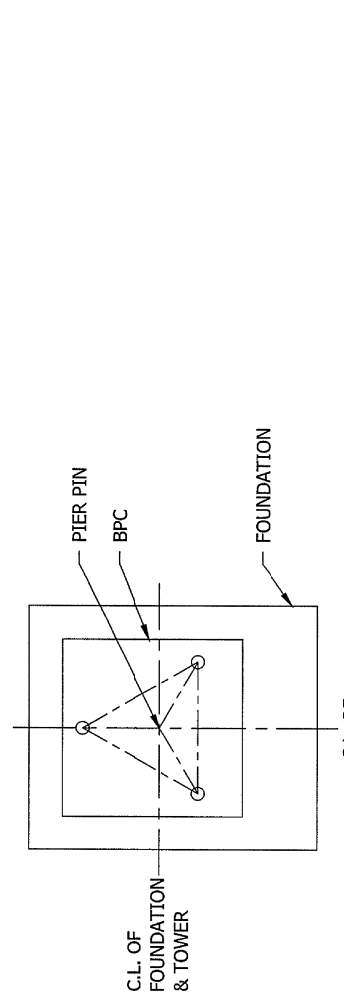
| DWG REFERENCE |
|---------------|
| |
| |
| |
| |
| |
| |
| |
| |
| |
| |

ROHN
PRODUCTS
6718 WEST PLANK ROAD
PEORIA, IL 61604
TOLL FREE 800-727-ROHN
FAX 314-243-7000
E-MAIL SALES@ROHN.COM

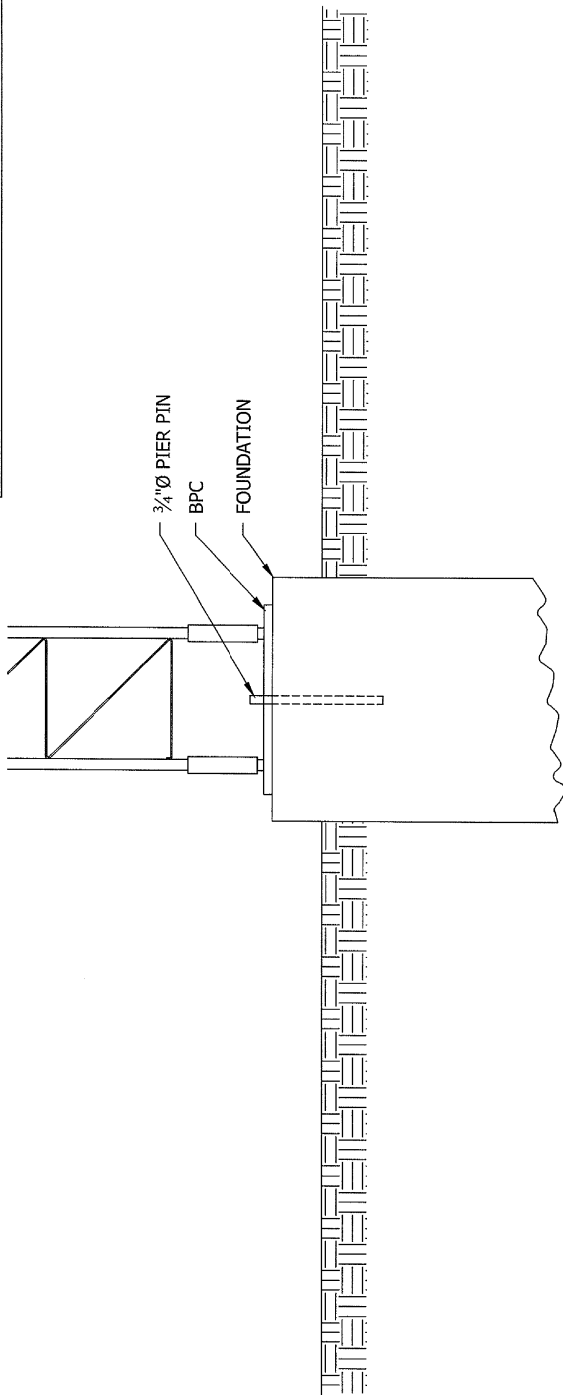
THIS DRAWING IS THE PROPERTY OF ROHN. IT IS NOT TO BE REPRODUCED, COPIED OR IMPACTED IN WHOLE OR IN PART WITHOUT THE WRITTEN PERMISSION OF ROHN.

DWG BPC ASSEMBLY DETAILS

| | | | | | |
|--------------|---------|-------|----|-------|-------------|
| DWN: | CH | CHKD: | GR | DATE: | JUN/05/1988 |
| ENGR: | TWS | | | | |
| DRAWING NO.: | B680606 | | | | |
| REV: | 2 | | | | |

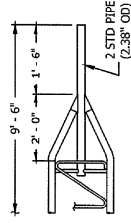


NOTE: TOWER IS NOT TO STAND UNGUYED IN ANY CASE. TOWER MUST BE TEMPORARILY OR PERMANENTLY GUYED WITH STEEL GUYS AT ALL TIMES.

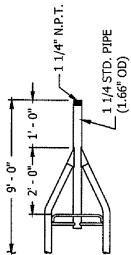


FILE NO.

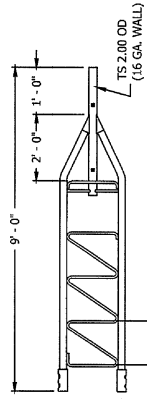
| REV | DESCRIPTION | DATE | CHK | APP |
|-----|-------------|------|-----|-----|
| | | | | |



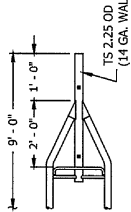
ASSY P/N: 45AG2
1 - 45JBK
1 - KS159



ASSY P/N: 45AG1
1 - 45JBK
1 - KS158



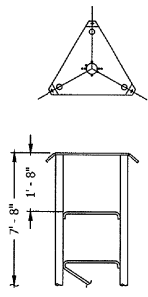
ASSY P/N: 45AG
1 - 45A9BK
1 - KS157



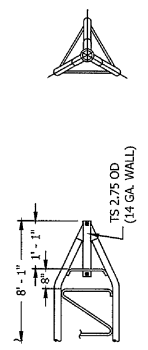
ASSY P/N: 45AG3
1 - 45A9BK
1 - KS160

*15 3/4" EACH FOR ALL TOP SECTIONS

*NOTE: SPECIFICATIONS OF TOP SECTIONS ARE THE SAME AS SECTION NO. 45 EXCEPT AS NOTED ABOVE.

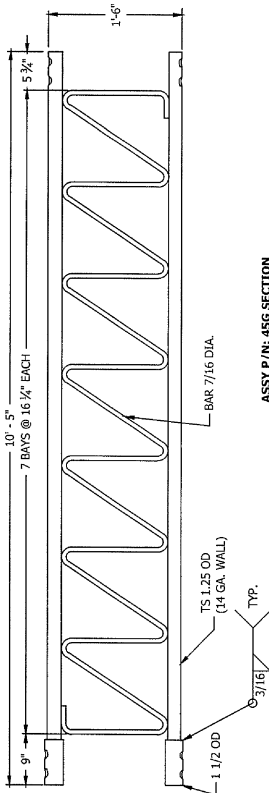
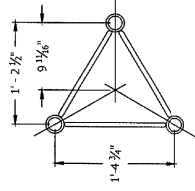


ASSY P/N: 45AG4
1 - 45JBK
1 - KS161



ASSY P/N: 45AG5
1 - 45JBK
1 - KS162

TYPICAL PLAN VIEW
(FOR ALL SECTIONS EXCEPT 45AG4)



ASSY P/N: 45G SECTION
1 - 45JBK
1 - 45GX



PO BOX 5999
PEORIA, IL 61601-5999
TOLL FREE 800-777-ROHN
REPRODUCED, COPIED OR WITHELD IN ANY MANNER WITHOUT OUR WRITTEN APPROVAL.

45G SECTION ASSEMBLY

| | | | | | |
|-------------|----------|----------|--------|-------|----------|
| DRAWN: | ZAW | CHKD: | JDM | DATE: | 06/05/12 |
| ENGR: | HA | SHEET #: | 1 OF 1 | | |
| DRAWING NO. | DWG-0526 | | | | |
| REV. | 0 | | | | |

FILE NO.

Standard-90

| REV | DESCRIPTION | DRAWN | CHECK | APP |
|-----|---------------------------------------|-------|-------|-----|
| 3 | REVISION INTO AUTOCAD | MF | JDM | HA |
| 4 | DATE: 06/12/2007 REVISION/NOTATION | JK | JDM | HA |

| WIRE SIZE | ANCHOR ROD | TURNBUCKLE | THIMBLE |
|-----------|------------|------------|---------|
| 3/16 EHS | GAR30 | 5/8TBE&J | 5/16THH |
| | GAC303,305 | 3/8TBE&E | 5/16THH |
| | GAC3455 | 1/2TBE&J | 5/16THH |
| | GAC5655 | 5/8TBE&J | 5/16THH |
| 1/4 EHS | GAR30 | 5/8TBE&J | 3/8THH |
| | GAC303,305 | 1/2TBE&E | 3/8THH |
| | GAC3455 | 1/2TBE&J | 3/8THH |
| | GAC5655 | 5/8TBE&J | 3/8THH |
| 5/16 EHS | GAR30 | 5/8TBE&J | 7/16THH |
| | GAC303,305 | 5/8TBE&J | 7/16THH |
| | GAC3455 | 5/8TBE&J | 7/16THH |
| | GAC5655 | 5/8TBE&J | 7/16THH |
| 3/8 EHS | GAR30 | 5/8TBE&J | 1/2THH |
| | GAC3455 | 5/8TBE&J | 1/2THH |
| | GAC5655 | 5/8TBE&J | 1/2THH |

| DWG REFERENCE |
|---------------|
| |
| |
| |
| |
| |
| |
| |
| |
| |
| |

ROHN
PRODUCTS
6718 WEST PLANK ROAD
PEORIA, IL 61604
TOLL FREE 800-727-ROHN

THIS DRAWING IS THE PROPERTY OF ROHN PRODUCTS. IT IS NOT TO BE REPRODUCED, COPIED OR TRACED IN WHOLE OR IN PART WITHOUT THE WRITTEN PERMISSION OF ROHN PRODUCTS.

GLY
WIRE HARDWARE KIT

| | | |
|-------------|---------|-------------|
| DRAWN: | CHKD: | DATE: |
| MF | WJM | SEP 20/1987 |
| ENGR: | RDW | |
| DRAWING NO: | A871382 | |
| REV: | 4 | |

FILE NO.

| REVISIONS | | DATE | CHK | APP |
|-----------|---------------------------|---------------|-----|-----|
| 1 | UPGRADE FOR RAY STANDARDS | | JIC | HA |
| 2 | | DATE: 8/28/11 | | |

DESCRIPTION

DATE: 8/28/11

DATE: 8/28/11

DATE: 8/28/11

DATE: 8/28/11

DATE: 8/28/11

DATE: 8/28/11

DATE: 8/28/11

DATE: 8/28/11

DATE: 8/28/11

DATE: 8/28/11

DATE: 8/28/11

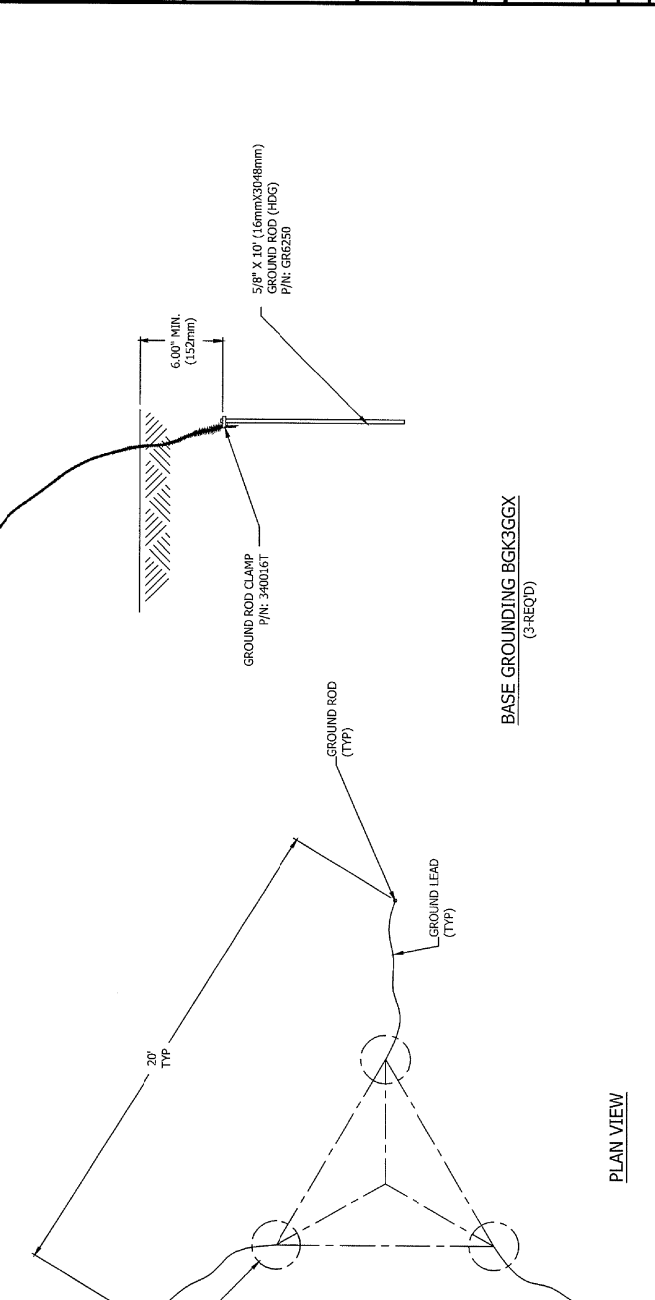
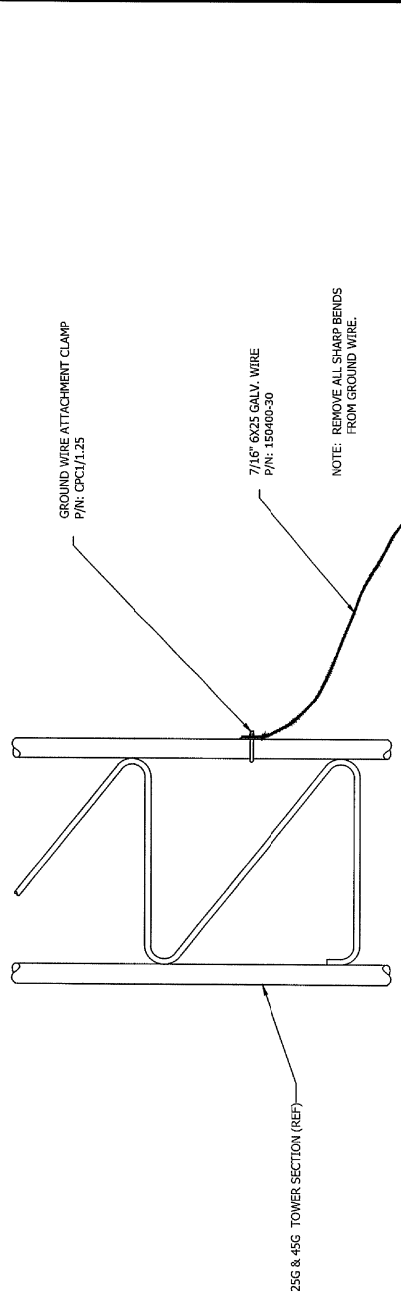
DATE: 8/28/11

DATE: 8/28/11

DATE: 8/28/11

DATE: 8/28/11

DATE: 8/28/11



ROHN PRODUCTS
PO BOX 5999
PEORIA, IL 61601-5999
TOLL FREE 800-77-ROHN

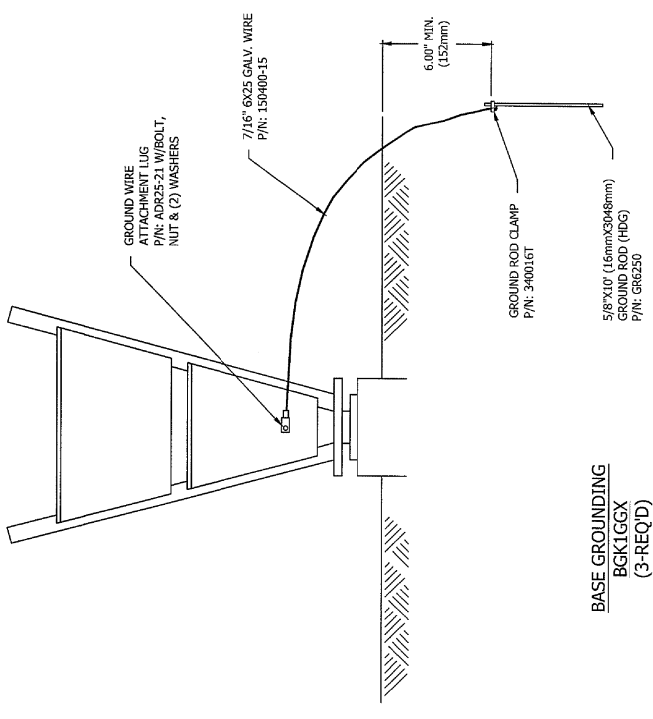
THIS DRAWING IS THE PROPERTY OF ROHN. IT IS NOT TO BE REPRODUCED, COPIED OR TRANSMITTED IN ANY FORM WITHOUT ROHN'S WRITTEN CONSENT.

KIT BASE GRD 25 & 45 TOWER

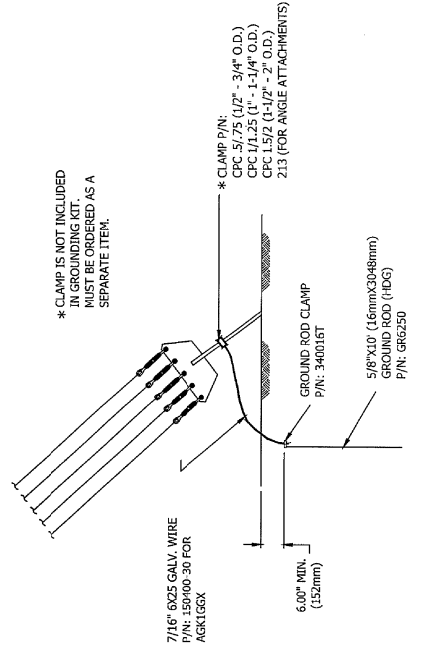
| | | | | |
|-------------|---------|-----|----------|------------|
| OWN: | CHK'D: | JDM | DATE: | FEB/2/2009 |
| ENGR: | HA | HA | SHEET #: | 1 OF 1 |
| DRAWING NO. | B090128 | | REV: | 2 |

FILE NO.

| REVISIONS | | DWN | CHK | APP |
|-----------|--------------------------|-----|-----|-----|
| REV | DESCRIPTION | | | |
| 3 | UPDATE SKI AND STANDARDS | JEC | KFL | HA |
| | DATE: 8/27/11 | | | |



BASE GROUNDING
BGK1GGX
(3-REQ'D)



GUY WIRE GROUNDING - AGK1GGX
(1-REQ'D PER ANCHOR RADIUS)

NOTE: REMOVE ALL SHARP BENDS FROM GROUND WIRE.

APPLICATION
80 & 90 TAPERED BASES



PO BOX 5999
 PEORIA, IL 61601-5999
 TOLL FREE 800-727-ROHN

THIS DRAWING IS THE PROPERTY OF ROHN. IT IS NOT TO BE REPRODUCED, COPIED OR TRANSMITTED IN ANY FORM OR BY ANY MEANS, WITHOUT PERMISSION FROM ROHN.

REV. G 680 & 90 TOWERS

| DWN | CHKD | DATE |
|-------------|---------|-------------|
| JK | JDM | DEC/27/2007 |
| ENGR | DWG | SHEET # |
| | | 1 OF 1 |
| DRAWING NO. | B070996 | |
| REV | 3 | |

