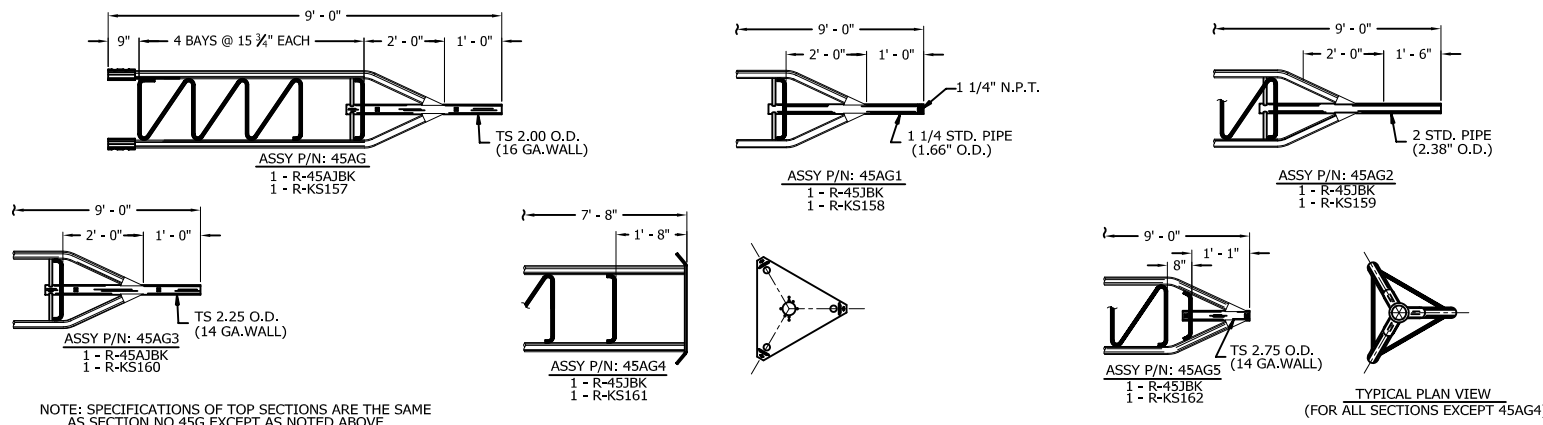


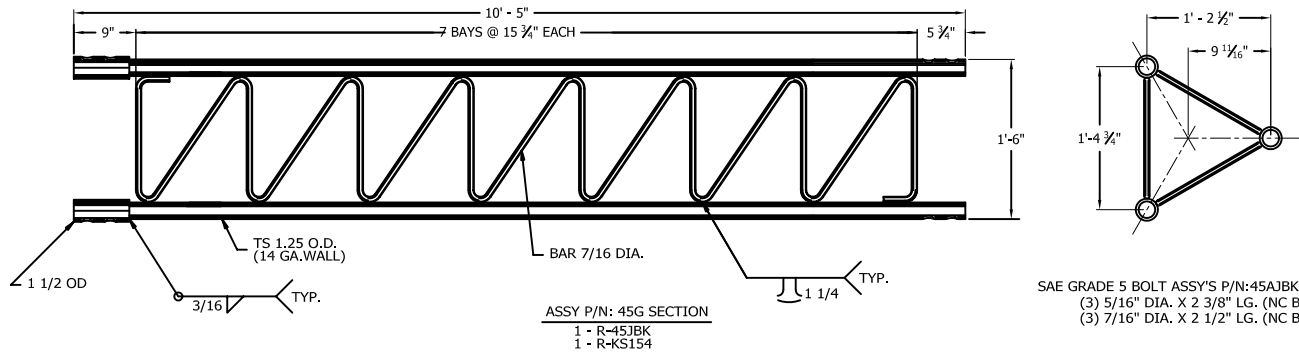
FILE NO.

Standard-45G

| REVISIONS | | | | |
|-------------------|---|-----|-----|-----|
| REV. | DESCRIPTION | DWN | CHK | APP |
| 11 | REDRAWN INTO AUTOCAD FORMAT ADDED B.O.M. INFORMATION | DLJ | JDM | HA |
| DATE: Jun/01/2006 | | | | |



NOTE: SPECIFICATIONS OF TOP SECTIONS ARE THE SAME AS SECTION NO.45G EXCEPT AS NOTED ABOVE.



| DWG REFERENCE |
|---------------|
| |
| |
| |
| |
| |
| |
| |
| |
| |
| |

| SEC.>> | 45G TOWER SECTION PROPERTIES | | |
|--------|------------------------------|---------------|---------|
| ITEM | LEGS | BRACES | SECTION |
| SIZE | TS 1.25 ODX.083 WALL | BAR 7/16 DIA. | N/A |
| Fy | 50.0 | 36.0 | N/A |
| A | 0.3043 | 0.1503 | .913 |
| S | 0.0833 | 0.0082 | 4.15 |
| I | 0.0521 | 0.0018 | 42.7 |
| r | 0.4136 | 0.1094 | 6.84 |
| L | 15.75 | 22.1 | VARIES |
| K | 1.0 | 0.70 | 1.0 |
| KL/r | 38.0 | 141.4 | VARIES |
| C | 10.6 | 1.50 | N/A |
| T | 9.46 | N/A | N/A |
| M | N/A | N/A | 11.4 |
| W | 1.035 | 0.512 | 7.000 |
| Ws | 35.0 | 35.0 | 70.0 |

NOMENCLATURE

- A = CROSS SECTIONAL AREA (SQUARE INCHES)
- C = COMPRESSION CAPACITY WITH 1/3 INCREASE IN ALLOWABLE STRESS (KIPS)
- I = MOMENT OF INERTIA ABOUT CENTROIDAL AXIS (INCHES**4)
- Fy = MINIMUM YIELD STRENGTH (KSI)
- K = EFFECTIVE LENGTH FACTOR (DIMENSIONLESS)
- L = UNBRACED LENGTH (INCHES)
- M = MOMENT CAPACITY WITH 1/3 INCREASE IN ALLOWABLE STRESS (FT.-KIPS)
- N/A= NOT APPLICABLE
- r = RADIUS OF GYRATION (INCHES)
- S = ELASTIC SECTION MODULUS (INCHES**3)
- T = TENSION CAPACITY WITH 1/3 INCREASE IN ALLOWABLE STRESS (KIPS)
- W = WEIGHT PER FOOT (POUNDS)
- Ws = WEIGHT PER SECTION (POUNDS)

NOTE: CAPACITIES SHOWN ARE BASED ON ANSI/EIA-222-D-1986.



6718 WEST PLANK ROAD
PEORIA, IL 61604
TOLL FREE 800-727-ROHN

THIS DRAWING IS THE PROPERTY OF ROHN, IT IS NOT TO BE REPRODUCED, COPIED OR TRACED IN WHOLE OR IN PART WITHOUT OUR WRITTEN CONSENT.

**SECTION ASSEMBLY
45G SECTIONS**

| | | |
|----------|------------|-------------------|
| DWN: GPW | CHK'D: WDU | DATE: Feb/13/1988 |
|----------|------------|-------------------|

| | |
|------------|--|
| ENG'R: ROB | |
|------------|--|

| | |
|---------------------|---------|
| DRAWING NO: C630645 | REV: 11 |
|---------------------|---------|

Jun/06/2007 06:36:22 PM

1/Fraction