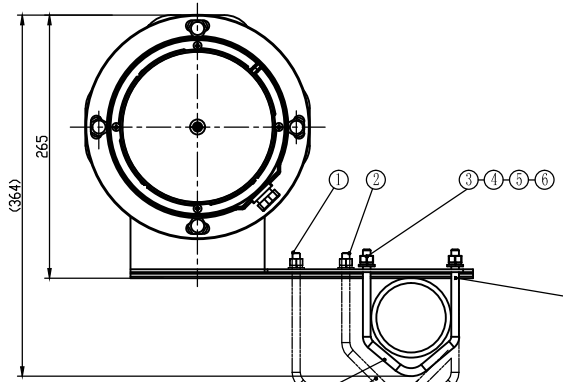
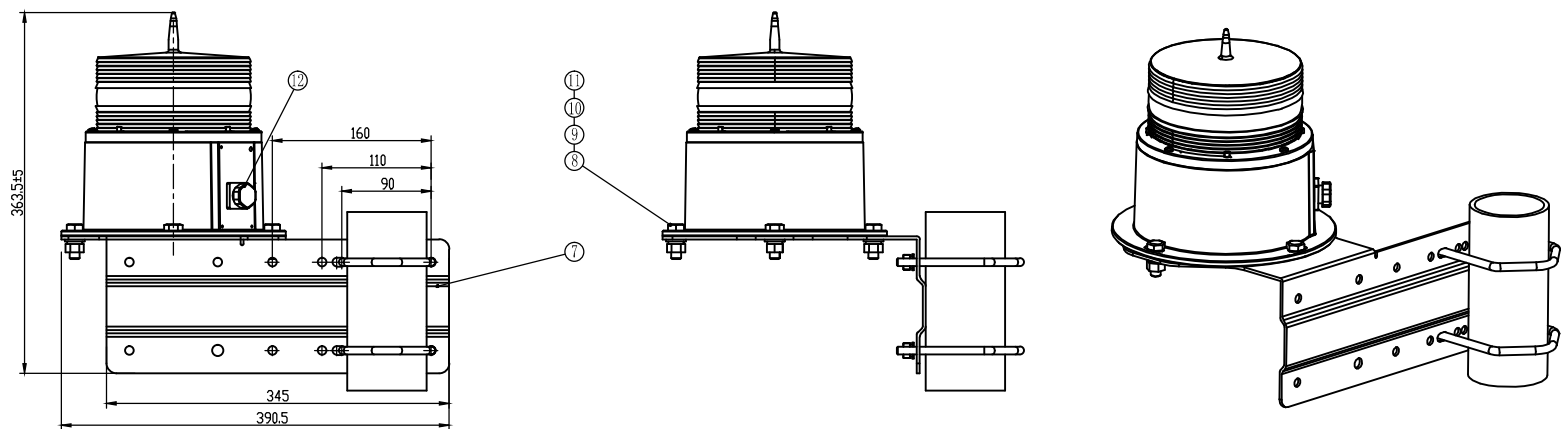


MARKER	REVISE DESCRIPTION	REVISE NUMBER	PERSON NAME	REVISE DATE	REVISE REV



80/100/150 Three types of U-BOLT can be selectable subject to pipe diameter.

80U-BOLT For Pipe Dia. $\phi 30-\phi 80$
 100U-BOLT For Pipe Dia. $\phi 55-\phi 100$
 150U-BOLT For Pipe Dia. $\phi 85-\phi 150$

12	CABLE SOCKET	WY16-4KZ	1	
11	SPRING WASHER	65Mn $\phi 10$	4	
10	PLAIN WASHER	STAINLESS STEEL304 $\phi 10$	4	
9	HEX NUT	STAINLESS STEEL304 M10	4	
8	HEX BOLT	STAINLESS STEEL304 M10X30	4	
7	BRACKET	STAINLESS STEEL304	1	
6	SPRING WASHER	65Mn $\phi 8$	4	
5	PLAIN WASHER	STAINLESS STEEL304 $\phi 8$	4	
4	HEX NUT	STAINLESS STEEL304 M8	4	
3	80 U-BOLT	STAINLESS STEEL304 M8	2	PIPE DIA. $\phi 30-\phi 80$
2	100 U-BOLT	STAINLESS STEEL304 M8	2	PIPE DIA. $\phi 55-\phi 100$
1	150 U-BOLT	STAINLESS STEEL304 M8	2	PIPE DIA. $\phi 85-\phi 150$
NO	ITEM	MATERIAL AND SPECS	QTY	NOTE

FIRST ANGLE (1RD)	TOLERANCE: GENERAL TOLERANCE	X. XX ± 0.05 X. X ± 0.1 X. ± 0.2 角度 $\pm 0.5^\circ$	MODEL MODEL NO.	AMS-80/100/150		PART NAME PART NAME	---
			NAME NAME	YSL10_MOUNTING_VER		图号 DWG. NO.	RDM-AMS-04
SCALE SCALE	1:1	UNIT UNIT	mm	SIGNATURE SIGNED BY	DATE DATE	MATERIAL MATERIAL	STAINLESS-STEEL
PAPER SIZE PAPER SIZE	A4	VER VER.	V1	设计 DESIGN	CHUNHUA	2014.9.20	FINISH FINISH
1/1				校对 CHECK			
				审核 VERIFY			

