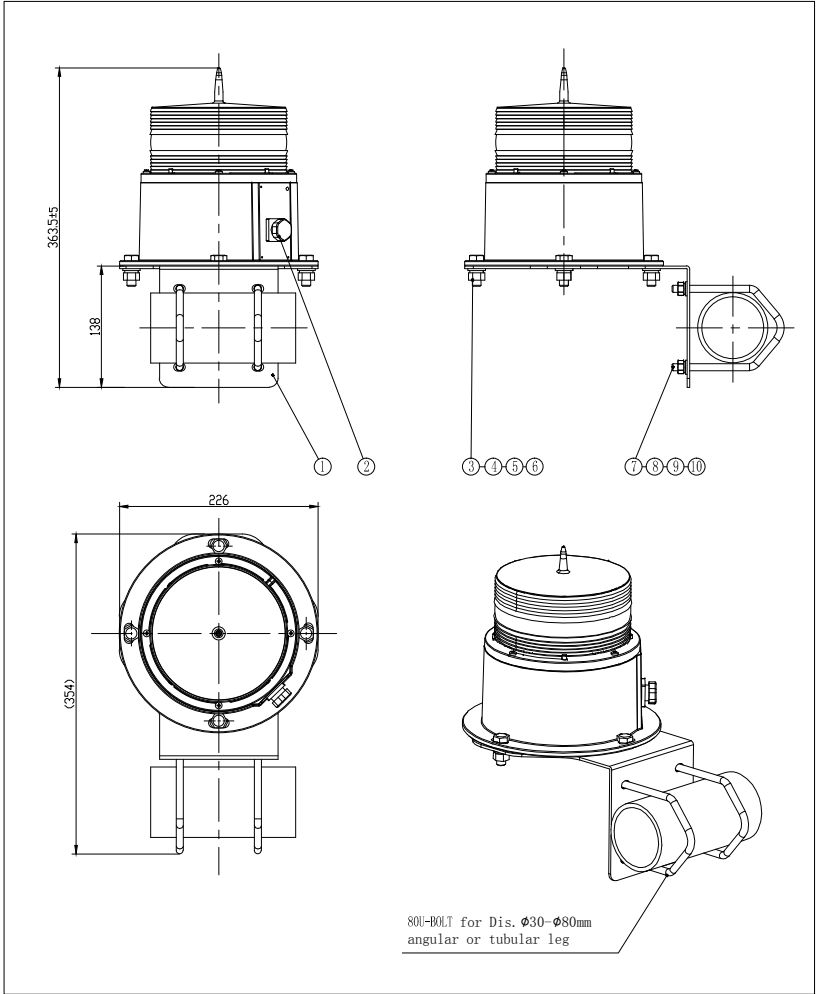
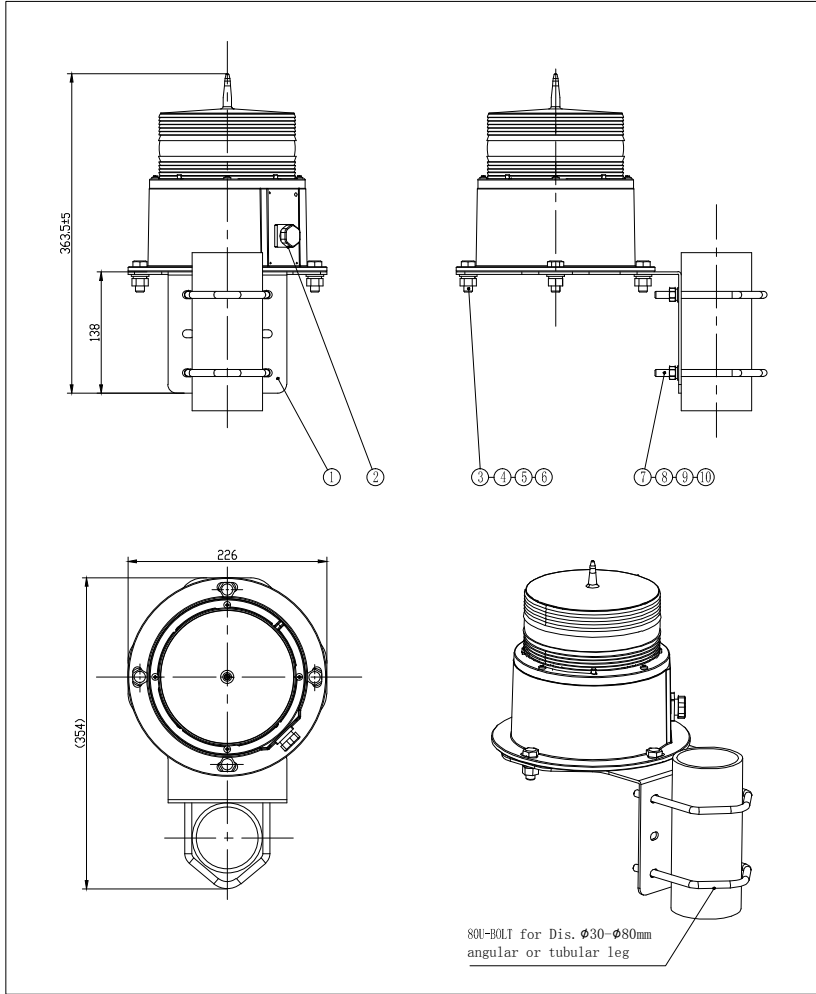


MARKER	DESCRIPTION	NUMBER	NAME	DATE	REV
	3S80 Mounting Bracket				



10	SPRING WASHER	65Mn Ø8	4	
9	PLAIN WASHER	STAINLESS STEEL 304 M8	4	
8	HEX NUT	STAINLESS STEEL 304 M8	4	
7	80 U-BOLT	STAINLESS STEEL 304 M8	2	80U-BOLT for Dis. Ø30-Ø80mm angular or tubular leg
6	SPRING WASHER	65Mn Ø10	4	
5	PLAIN WASHER	STAINLESS STEEL 304 Ø10	4	
4	HEX NUT	STAINLESS STEEL 304 M10	4	
3	HEX BOLT	STAINLESS STEEL 304 M10X30	4	
2	CABLE SOCKET	WY16-4KZ	1	FOR YSL10 ONLY
1	MOUNTING PLATE	STAINLESS STEEL 304	1	
NO	ITEM	MATERIAL AND SPECS	QTY	NOTE

1RD		GENERAL TOLERANCE		X. XX	±0.05	MODEL NO.	3S80		PART NAME	
				X. X	±0.1	NAME	YSL10_MOUNTING KITS		DWG. NO.	
				X.	±0.2			SIGNED BY	DATE	MATERIAL
					±0.5°	DESIGN	YCH	2014.10.21	FINISH	
SCALE	1:1	UNIT	mm	PAPER SIZE	A4	VER.	V1.0			
				1/1		VERIFY				

