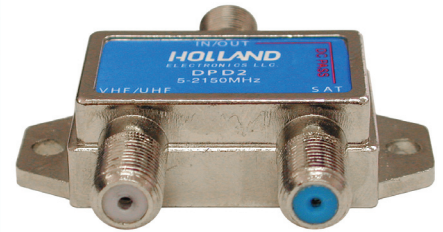


Features:

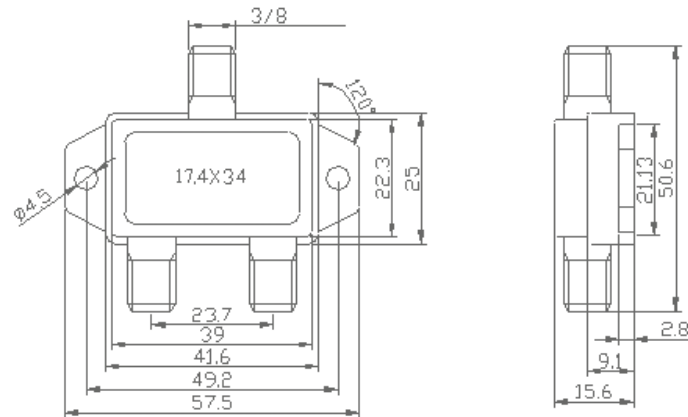
- Low Insertion Loss
- High Return Loss
- Increased Stop Band Isolation
- Designed Specifically for DP44 Switch
- Color Coded Insulators



Model: DPD2

The **DPD2** allows the combining and/or separating of Off-Air / CATV signals with satellite signals to a common cable. Separates TV and satellite signals prior to satellite receiver input and filters harmonics in the off-air spectrum from satellite conversion devices. The DPD2 diplexer is specifically **designed for Dish Network's™ DP44 installations**, requiring continuous 2 amp power passing. This diplexer provides a high performance, lower insertion loss, high return loss and increased stop band isolation. The DPD2 provides a more reliable combining solution for the increased demands of the DishPro Plus installations, which may require 2 amps of current.

Echostar Specification (Echostar Doc 119472 REV AA)	
Insertion Loss	
VHF/UHF Port	≥ 1.5dB
Satellite Port	≥ 1.5dB
Return Loss	
VHF/UHF Port	≥ 12dB
Satellite Port	≥ 15dB
Stop Band Rejection (isolation)	≥ 40dB
Complies with CEA-897 Connector Color Coding	
Complies with ASTM B 117-97, 500 hours	
Oracle #135025	



Frequency (MHz)	40 - 806		950 - 2150	
	QC Limit (dB)	TYP (dB)	QC Limit (dB)	TYP (dB)
VHF/UHF Port	≥ 1.5	1	≥ 40	45
Satellite Port	≥ 40	45	≥ 1.5	1
Return Loss				
VHF/UHF Port	15	20		
Satellite Port			15	20

DC Current (thru satellite port) 2 Amps (max)