

WINEGARD®

Installation Instructions

Models DS-1111, VM-1111

INSTALLATION OF THIS MOUNT NEAR POWER LINES IS DANGEROUS. FOR YOUR SAFETY, FOLLOW THE INSTALLATION INSTRUCTIONS.

NOTE: THIS MOUNT IS NOT DESIGNED FOR APPLICATIONS ON A VERTICAL SURFACE SUCH AS WALLS, POLES, ETC.

CAUTION: LIMIT SIZE OF TV ANTENNA TO GS-1000/2000, MS-1000/2000 OR A BOOM LENGTH OF 40" OR LESS.

STEP 1. Assemble satellite dish and mount per manufacturers instructions. Do not make fine tuning adjustment at this time.

STEP 2. Remove (2) clamp tightening carriage bolts from existing clamp bracket.

STEP 3. Attach flat plate to existing clamp bracket with 1/4 - 20 x 1.25" bolts and install the washers and nuts.

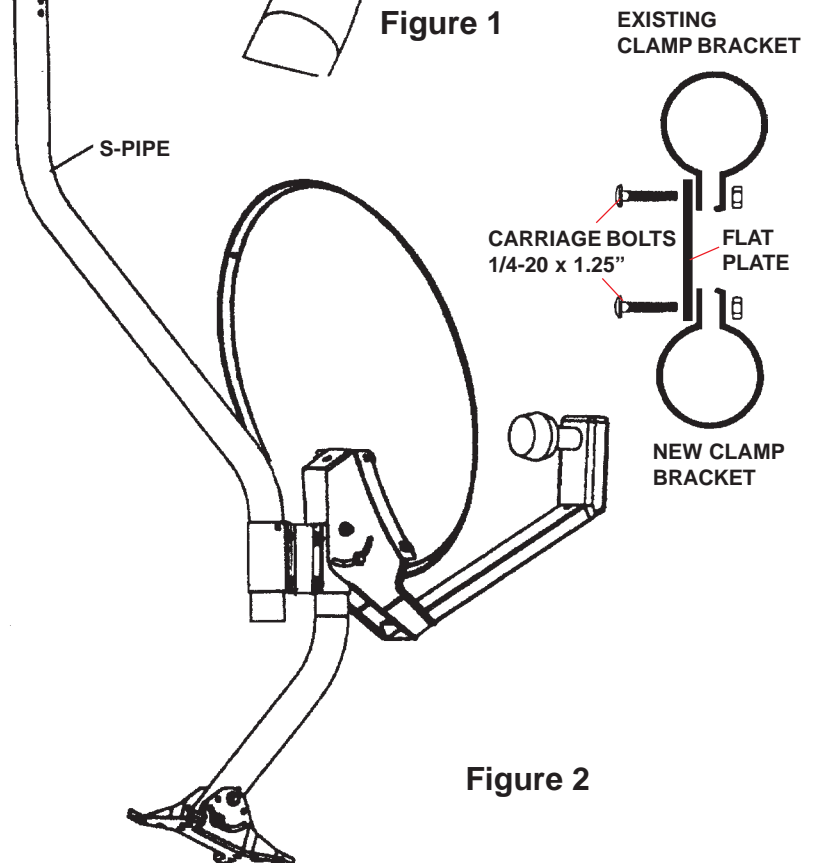
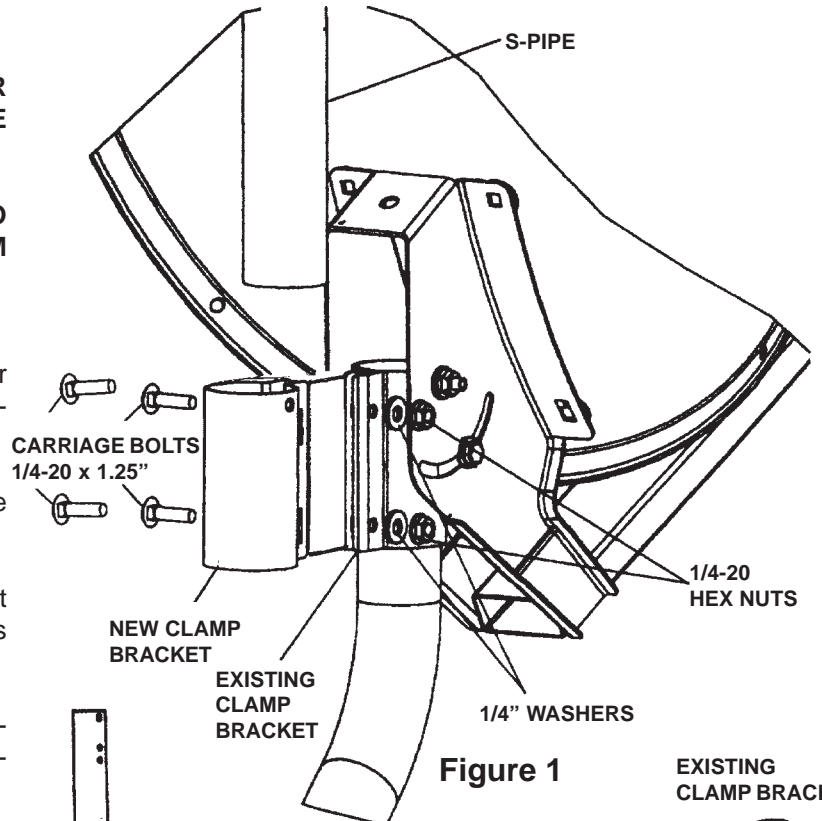
STEP 4. Adjust azimuth and elevation on satellite dish for optimum signal strength per manufacturers instructions.

STEP 5. Tighten all hardware on satellite antenna mount, including clamp bolt nuts, when the optimum signal strength is achieved.

STEP 6. Slide S-pipe into new clamp, and adjust to the approximate desired location. See Figure 2 for complete assembly.

STEP 7. Mount off-air antenna to upper mast. Run coax download and secure it at the same time the DSS wires are installed.

MAKE SURE TO GROUND BOTH ANTENNA/ MOUNTS PER SATELLITE AND OFF-AIR ANTENNA INSTALLATION INSTRUCTIONS.



WINEGARD®