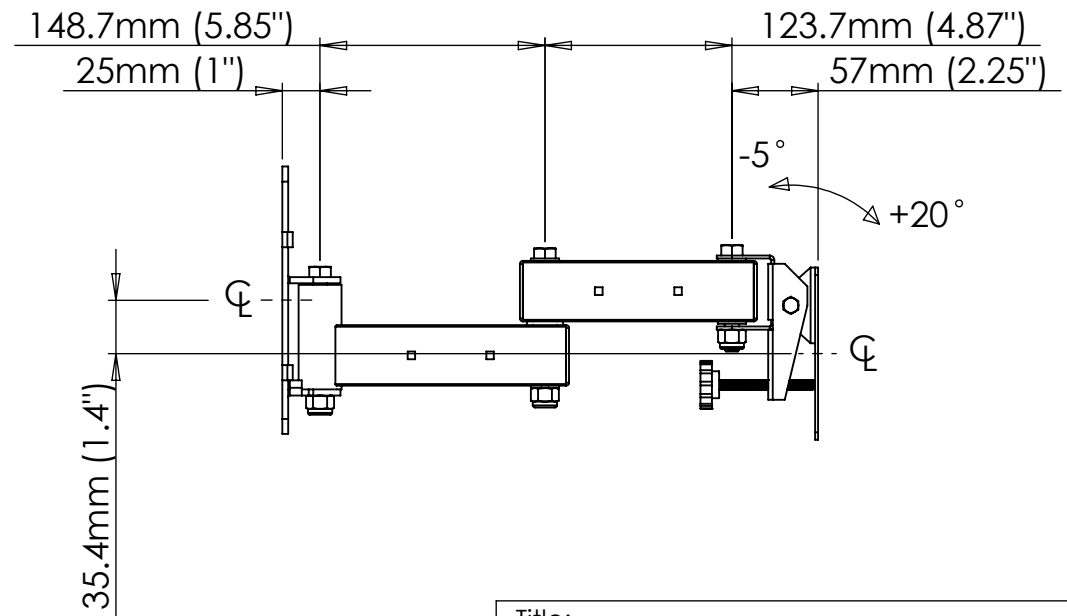
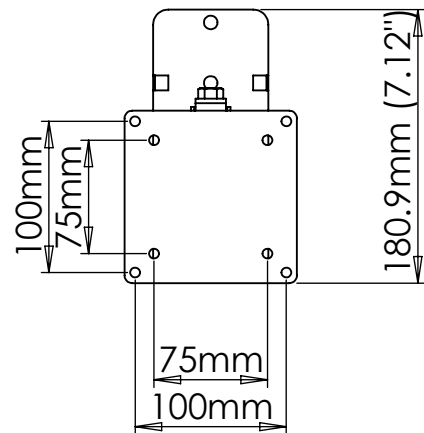
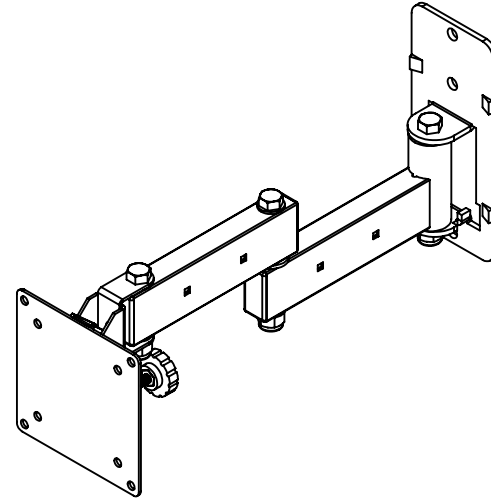
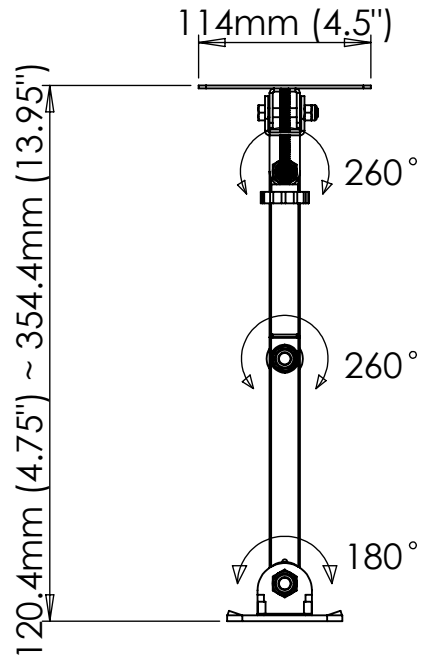


**VMP**  
VIDEO MOUNT PRODUCTS

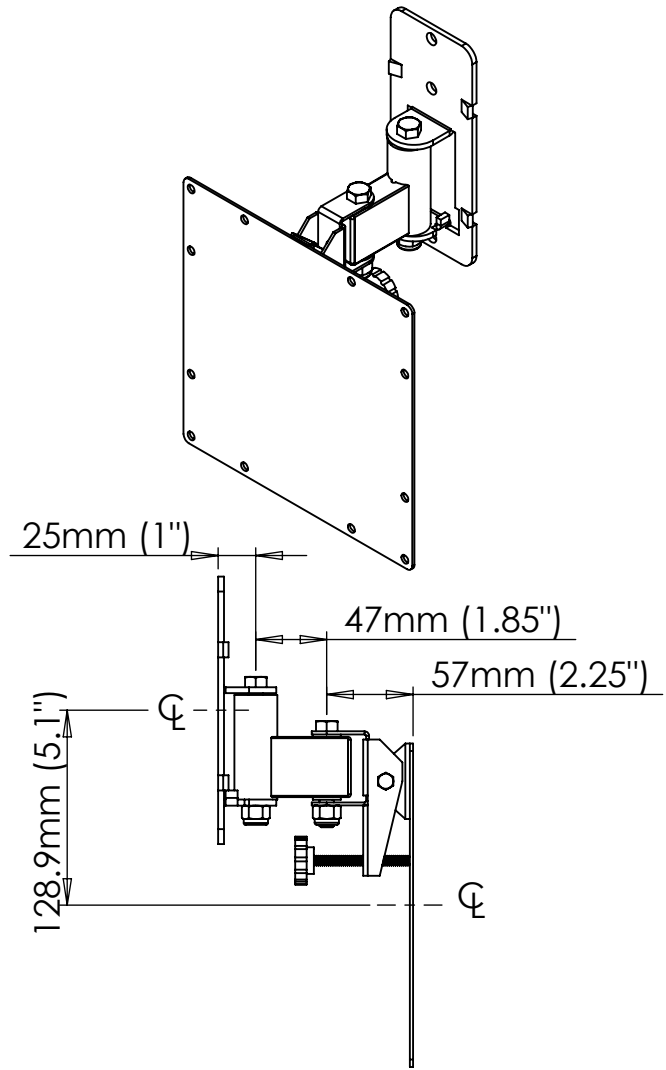
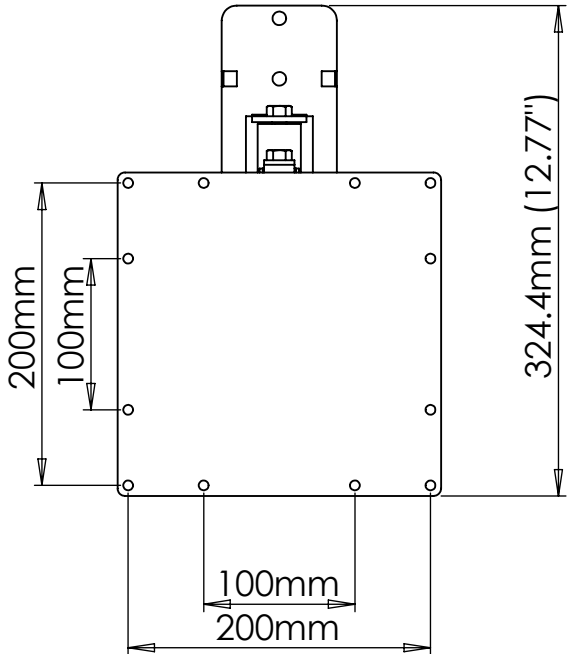
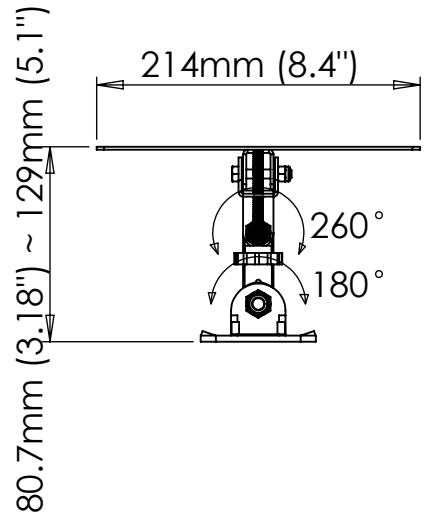
Information and designs contained in this drawing are the proprietary property of Video Mount Products (VMP). None of the design or any information contained in this drawing may be reproduced or disclosed to others without prior written consent of Video Mount Products (VMP).

Title:		
LCD-2537		
SIZE	DWG. NO.	REV
<b>A</b>		
SCALE: 1:6	Unit: mm	SHEET 1 OF 5



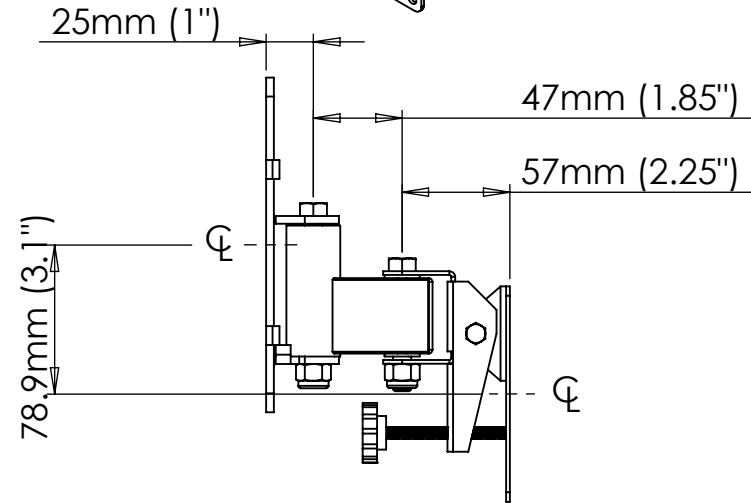
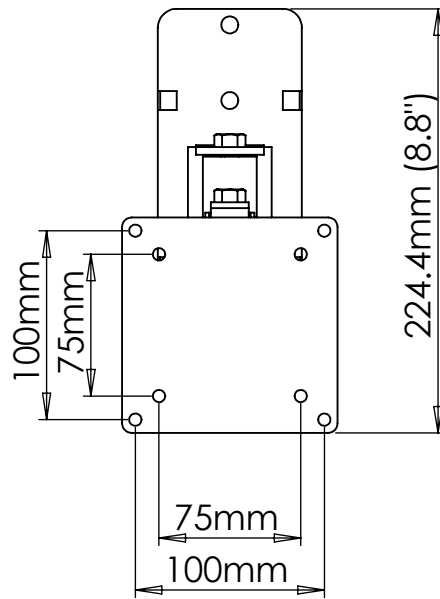
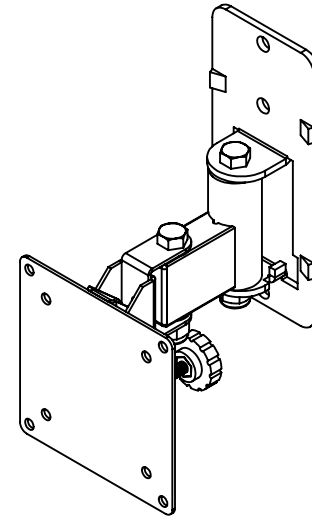
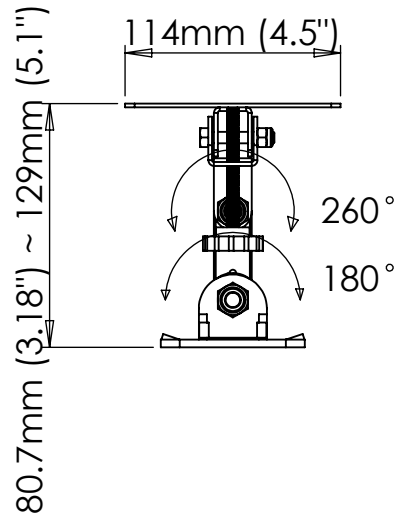
Information and designs contained in this drawing are the proprietary property of Video Mount Products (VMP). None of the design or any information contained in this drawing may be reproduced or disclosed to others without prior written consent of Video Mount Products (VMP).

Title: <b>LCD-2537</b>		
SIZE <b>A</b>	DWG. NO.	REV
SCALE: 1:5	Unit: mm	SHEET 2 OF 5



Information and designs contained in this drawing are the proprietary property of Video Mount Products (VMP). None of the design or any information contained in this drawing may be reproduced or disclosed to others without prior written consent of Video Mount Products (VMP).

Title:		
LCD-2537		
SIZE	DWG. NO.	REV
<b>A</b>		
SCALE: 1:5	Unit: mm	SHEET 3 OF 5



**VMP**  
VIDEO MOUNT PRODUCTS

Information and designs contained in this drawing are the proprietary property of Video Mount Products (VMP). None of the design or any information contained in this drawing may be reproduced or disclosed to others without prior written consent of Video Mount Products (VMP).

Title:

LCD-2537

SIZE

DWG. NO.

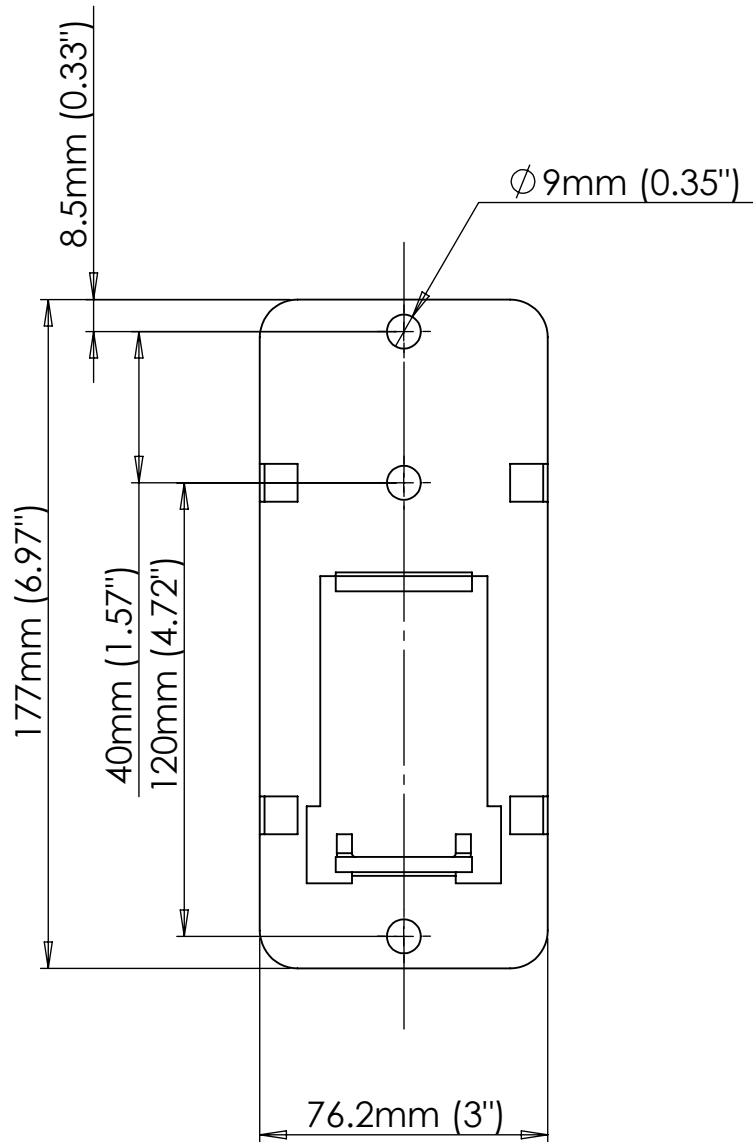
REV

**A**

SCALE: 1:4

Unit: mm

SHEET 4 OF 5



**VMP**  
**VIDEO MOUNT PRODUCTS**

Information and designs contained in this drawing are the proprietary property of Video Mount Products (VMP). None of the design or any information contained in this drawing may be reproduced or disclosed to others without prior written consent of Video Mount Products (VMP).

Title:		
LCD-2537		
SIZE	DWG. NO.	REV
<b>A</b>		
SCALE: 1:2	Unit: mm	SHEET 5 OF 5