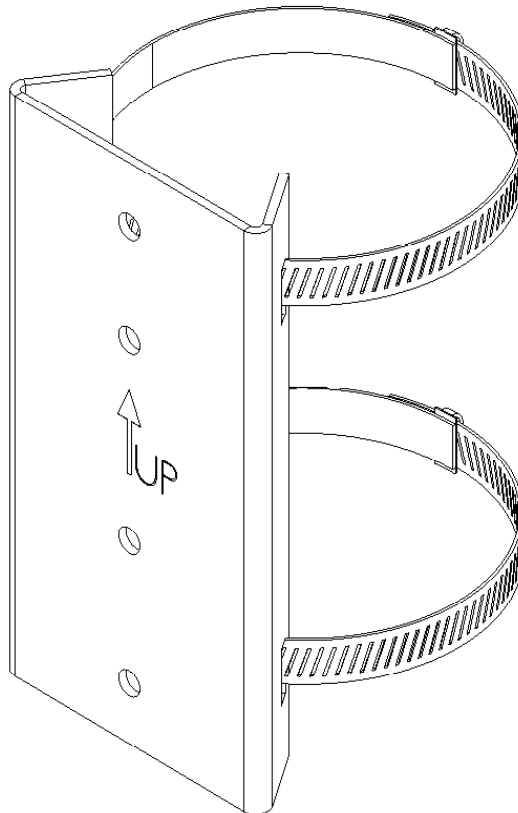


WMP

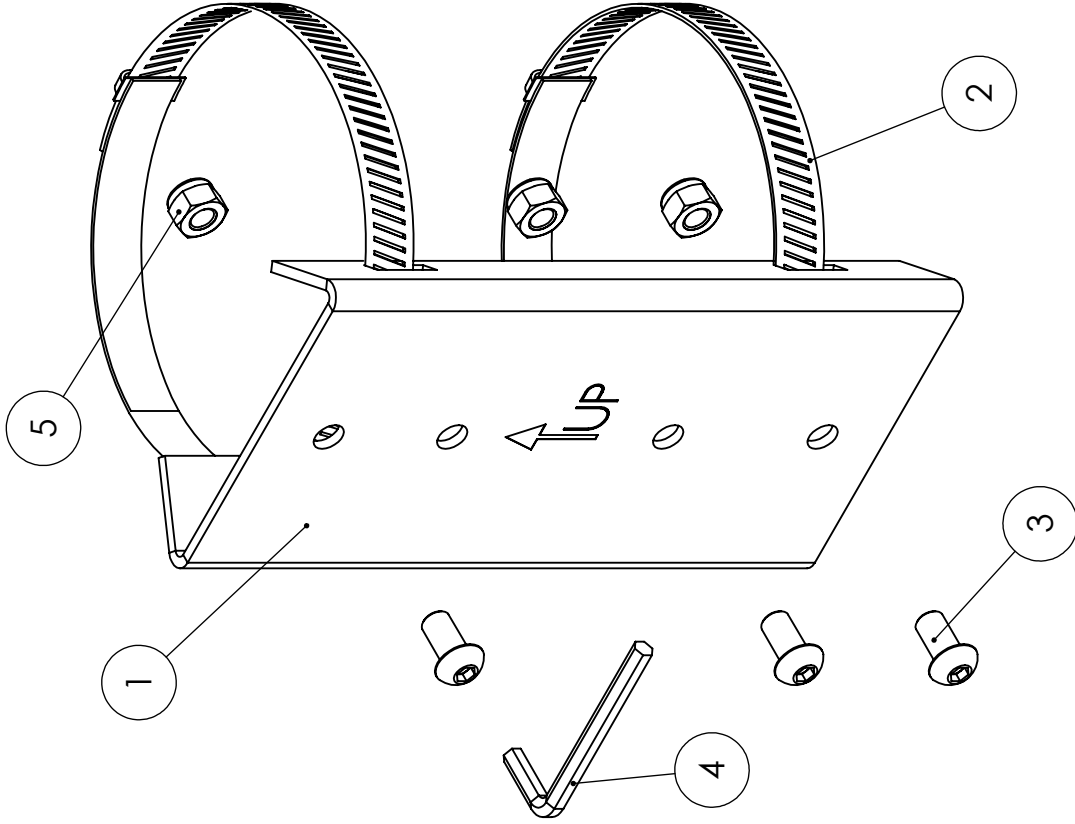
VIDEO MOUNT PRODUCTS

Instruction Sheet For:
LCD-PA

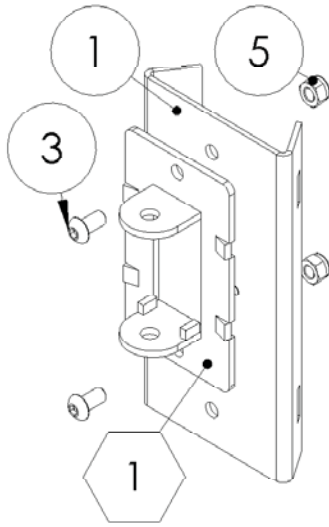


For more information, please contact us at:
345 Log Canoe Circle, Stevensville, Maryland 21666
Toll Free: 877.281.2169 Phone: 410.643.6390 Fax: 410.643.6615
www.videomount.com

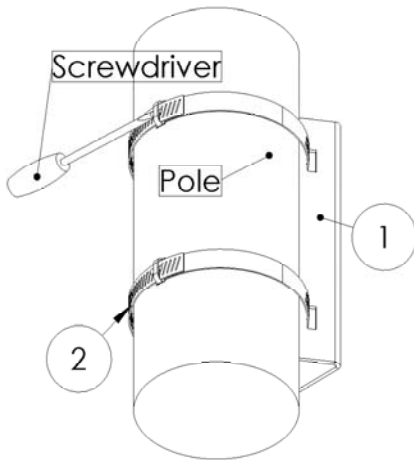
LCD-PA



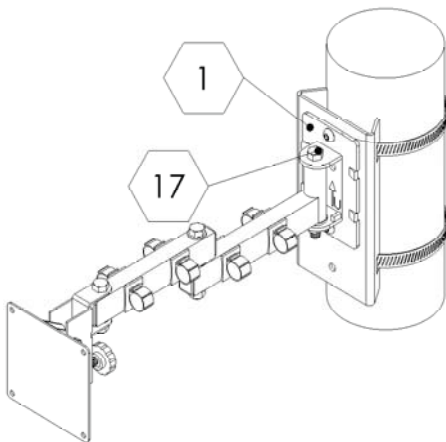
ITEM NO.	DESCRIPTION	QTY.
1	Mounting Plate	1
2	Variable Band Strap	2
3	Socket Screw M8*P1.25*L16.5	3
4	M5 Allen Key	1
5	Nylon Nut M8*P1.25	3



Step 2: Attaching the wall plate to the LCD-PA plate



Step 3: Strapping the LCD-PA around the pole



Step 4: Attaching the remained of the mount to the wall plate

Step 1

Before starting, lay out all parts to your mount and match them to the parts list provided. Verify that you have all your parts before attempting to assemble the mount

Step 2

Attach the LCD-1 or LCD-2537 wall plate **①** LCD-1 or LCD-2537 to the LCD-PA plate **①** using the socket screws **③** and nylon nuts **⑤**. **Note: When attaching the LCD-1 or LCD-2537 make sure the top hole of the mount is attached to the top hole of the LCD-PA. The top of the LCD-PA is indicated by the up arrow on the front of it.**

Step 3

Thread the band straps **②** through the slots cut into the LCD-PA plate **①** and around the desired mounting pole. Put the flat end of the strap underneath the screw on the other side of the strap. Then tighten the band strap by turning the screw so the band strap feeds under the screw and out the other side. Do this until you can not tighten the band straps **②** around the desired pole any further.

Step 4

Attach the remainder of the LCD-1 or LCD-2537 mount by using the long 3/8" screw **①7** LCD-1 or LCD-2537 that works with the wall plate **①** LCD-1 or LCD-2537.

Please verify that all nuts and screws are securely tightened.

Enjoy Your Mount!

WARNING: The installer of these products must verify that the mount surface, ceiling or wall, will safely support the combined weight of all attached equipment and hardware. Video Mount Products will not be held liable for the improper use or installation of its products.