

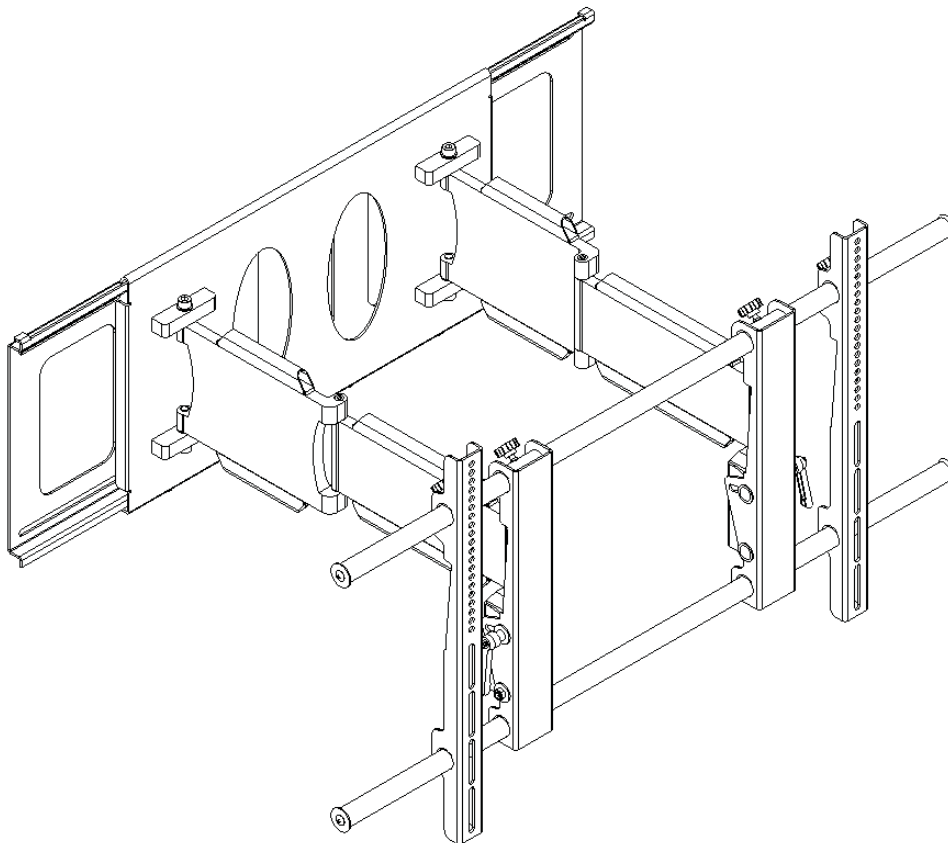
# **WMP**

VIDEO MOUNT PRODUCTS

*Instruction Sheet For:*

## **PDS-LWA & PDS-LWAB**

---



---

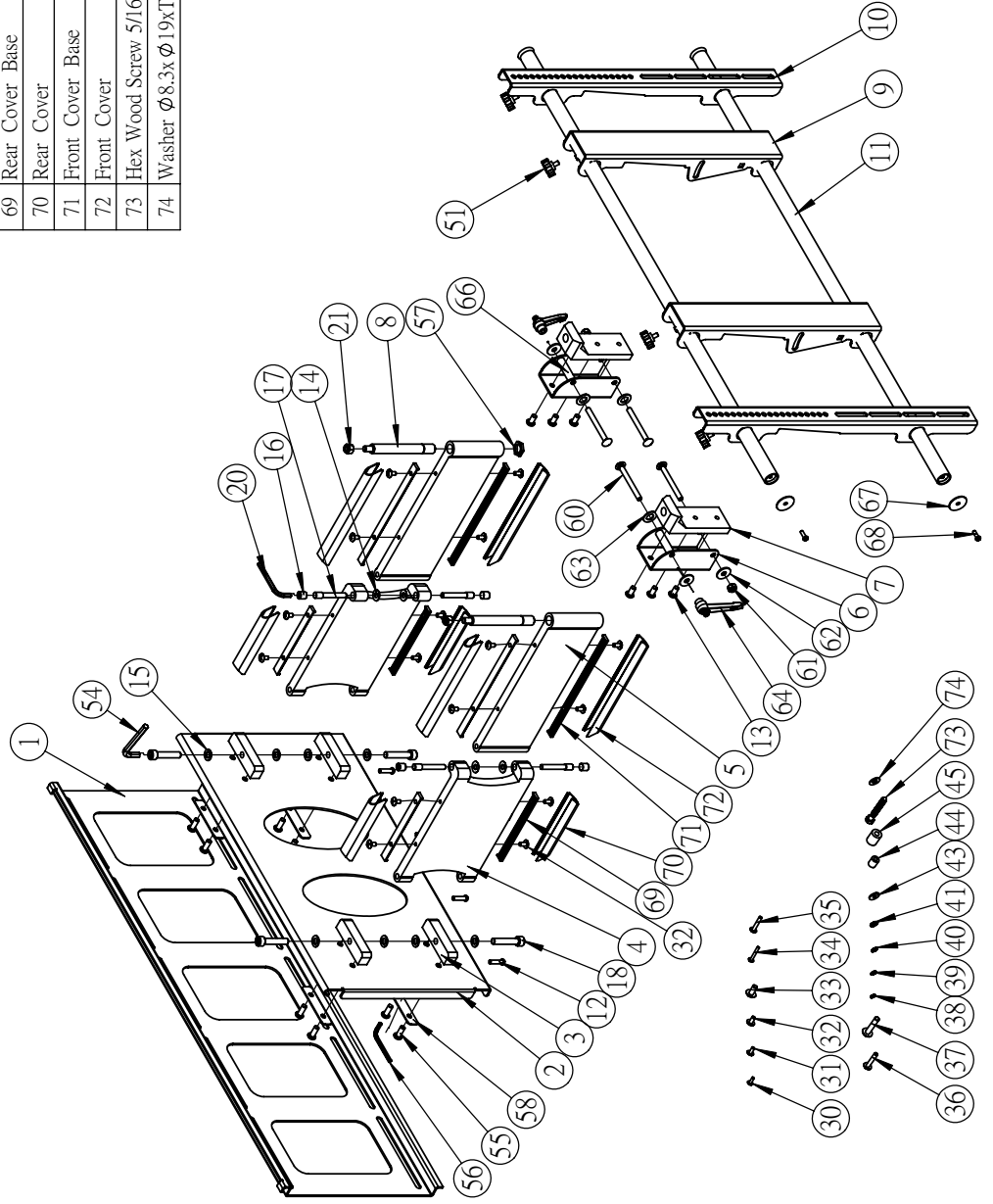
*For more information, please contact us at:*  
345 Log Canoe Circle, Stevensville, Maryland 21666  
Toll Free: 877.281.2169 Phone: 410.643.6390 Fax: 410.643.6615  
**www.videomount.com**

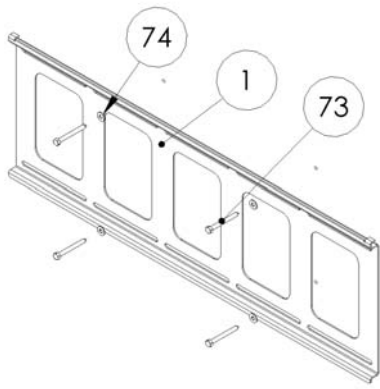
# **VMP** VIDEO MOUNT PRODUCTS

## PDS-LWA

NO.	Part Name	QTY.
57	Hex Nut M16*P2.0	2
58	Washer 20*89	4
60	Carriage Screw M8*P1.25*80	4
61	Nylon Nut M8*P1.25	2
62	Washer $\phi 8.5 \times \phi 25 \times 2.0$	4
63	Washer $\phi 13 \times \phi 24 \times 1.6$	4
64	Handle	2
66	Spacer $\phi 12.7 \times 50.5$	2
67	Washer $\phi 6.2 \times \phi 32 \times 1.6$	2
68	Cross Screw M6*P1.0*16	2
69	Rear Cover Base	4
70	Rear Cover	4
71	Front Cover Base	4
72	Front Cover	4
73	Hex Wood Screw 5/16"x2.5"	6
74	Washer $\phi 8.3 \times \phi 19 \times 1.6$	6

NO.	Part Name	QTY.
1	Wall Plate	1
2	Wall Mounting Bracket	1
3	Wall Bracket Base	4
4	Wall Arm	2
5	Screen Arm	2
6	Pivot Mount Bracket	2
7	Pivot Mount	2
8	Pivot Bolt	2
9	Pivot Mount Plate	2
10	Screen Mount Bracket	2
11	Mounting Tube	2
12	Cross Screw 1/4"-20UNC*1"	4
13	ALLEN SCREW M8*P1.25*L15MM	6
14	Washer $\phi 8.2 \times \phi 19 \times T0.6(Cu)$	4
15	Washer $\phi 10.2 \times \phi 19 \times T1.6$	8
16	BRAKE SCREW M12*P1.75*L12MM	4
17	Shaft	4
18	ALLEN SCREW M10*P1.5*L50MM	4
20	Allen Key M6	1
21	Nylon Nut 3/8"-16UNC	2
30	Cross Screw M4*12MM	4
31	Cross Screw M5*12MM	4
32	Cross Screw M6*12MM	4+16
33	Cross Screw M8*16.5MM	4
34	Cross Screw M4*30MM	4
35	Cross Screw M5*30MM	4
36	Cross Screw M6*35MM	4
37	Cross Screw M8*40MM	4
38	Lock Washer M4	4
39	Lock Washer M5	4
40	Lock Washer M6	4
41	Lock Washer M8	4
43	Washer $\phi 5.5 \times \phi 18 \times T2.0$	4
44	Spacer M6	4
45	Spacer M8	4
51	ADJUSTABLE SCREW M6*P1.0*10	4
54	Allen Key M8	1
55	ALLEN SCREW M8*P1.25*L20MM	8
56	Allen Key M5	1





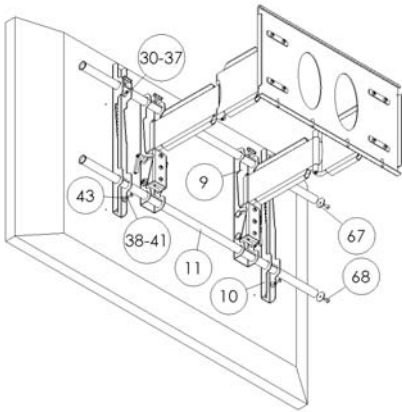
Step 2 : Attaching the wall plate  
(Lag screws are not included)

### Step 1

Before starting, lay out all parts to your mount and match them to the parts list provided. Verify that you have all your parts before attempting to assemble the mount.

### Step 2

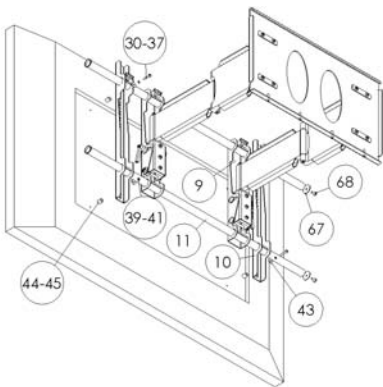
Mark the wall or desired mounting surface in preparation of installation of wall plate (1). If mounting to wooden studs, pre drill pilot holes using a 7/32" drill bit. Attach the wall plate (1) to the wooden stud using the 5/16" by 2.5" long lag screw (73) and washer (74) making sure the small ear flaps are on the top rail of the wall plate (1). **WARNING: Please verify that your mounting surface will support the combined weight of your mount, mounting hardware, and flat panel. Also verify that the mounting surface is safe to drill through. Please note only mounting hardware for mounting to wooden studs will be provided with the unit. If mounting to a surface other than wooden studs then other hardware will be required. If in doubt or uncertain about any of the above, please contact a professional installer.**



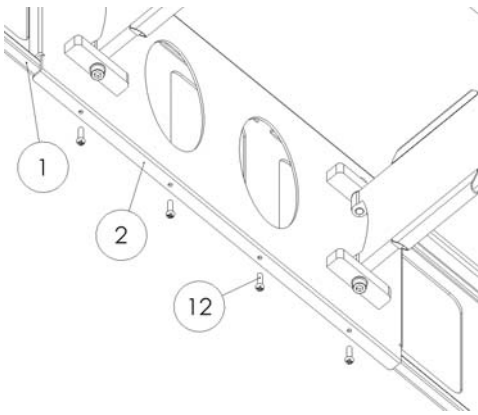
Step 3A: Attaching the flat panel to the mount (holes are not recessed)

### Step 3

Determine the correct screw size and if you need to use washers, lock washers, or spacers. **Note: Spacers are used for TVs with recessed hole patterns.** Secure the TV to the screen mounting brackets (10) using the appropriate hardware (30) through (45). In order to line up the holes on the screen mounting bracket (10) you may need to loosen the adjustable screws (51) make sure to re-tighten them after if you do. **Note: For smaller hole patterns it may be necessary to place one of the screen mounting brackets (10) in between the pivot mount brackets (9).** To do so simply remove the washer (67) and screw (68) from the end of the mounting tube (11). Slide off the screen mounting bracket (10) and the pivot mount bracket (9) and slide them back on in the reverse order. Replace the washer (67) and screw (68) onto the mounting tube (11) when finished.



Step 3B: Attaching the flat panel to the mount (holes are recessed)



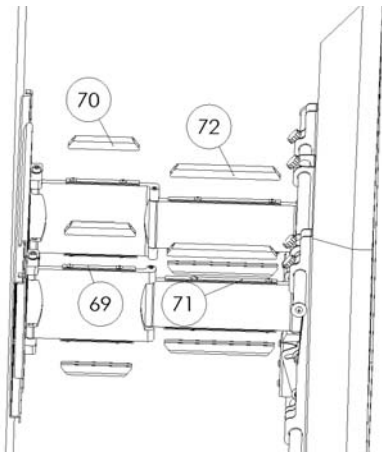
Step 4 : Attaching the wall mounting bracket to the wall plate

#### Step 4

Lift the monitor with the arms attached so the bent lip on the wall mounting bracket (2) catches the top edge of the wall plate (1). **Note: This should be done with at least two people in order to prevent possible injury.** Once the wall mounting bracket (2) is on the wall plate (1) then use the ¼" – 20UNC screws (12) to secure the wall mounting bracket in place.

#### Step 5

To run the cables along the articulating arms pop off the cable covers (70) & (72) along the top and bottom of the arms and run your cables as desired. Reattach the cable covers (70) & (72) to their respective bases (69) & (71) when finished.



Step 5 : Running the cables along the arms

#### Step 6

In order to tilt the mount, loosen the tilt adjustment handles (64) slightly tilt the monitor and retighten the handles.

*Please verify that all nuts and screws are securely tightened.*



***Enjoy Your Mount!***

**WARNING:** The installer of these products must verify that the mount surface, ceiling or wall, will safely support the combined weight of all attached equipment and hardware. Video Mount Products will not be held liable for the improper use or installation of its products.