

PM-LPMB

Yokeless Low Profile Projector Mount

Product Features:

Fits most projectors with mounting holes inside 14.5" dia.

Low 2.625" mounting profile
(measurement includes the mounting feet)

Adjustable tilt - $\pm 20^\circ$ / Adjustable pitch - $\pm 15^\circ$

Adjustable yaw (rotation) - $\pm 180^\circ$ (360°)

Cable management through the center of the mount

Ceiling plate and mounting screws included

Accepts standard 1.5" NPT masting

Load capacity - 75 lbs

Black powder coat finish

Also available in silver powder coat finish (PM-LPM)

Product Specifications:

(for Architects & Engineers)

The mount only low profile projector mount for projectors shall be a Video Mount Products (VMP) model number PM-LPMB. The mount shall be primarily constructed of formed steel and shall incorporate arc welds. The mount shall have adjustable tilt of $\pm 20^\circ$. The mount shall have adjustable pitch of $\pm 15^\circ$. The mount shall have adjustable yaw of $\pm 180^\circ$. The mount shall be able to fit most projectors with hole patterns inside a 14.5" diameter. The mount shall have cable management capability through the center of the mount. The mount shall have a ceiling plate included. The load capacity shall be 75 lbs.

Video Mount Products

345 Log Canoe Circle

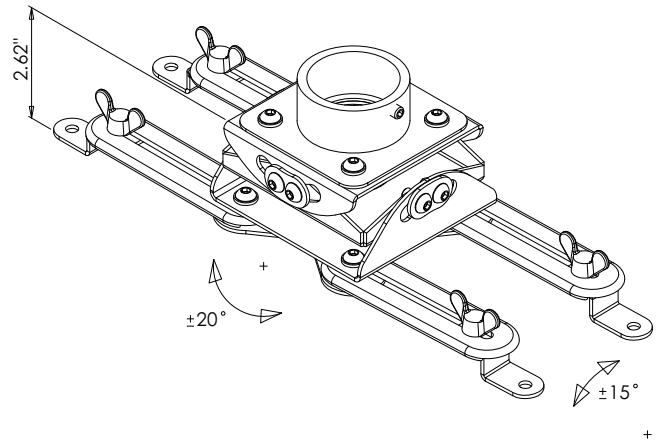
Stevensville, MD 21666

Toll Free: 877.281.2169

Telephone: 410.643.6390

Facsimile: 410.643.6615

www.videomount.com



VMP
VIDEO MOUNT PRODUCTS