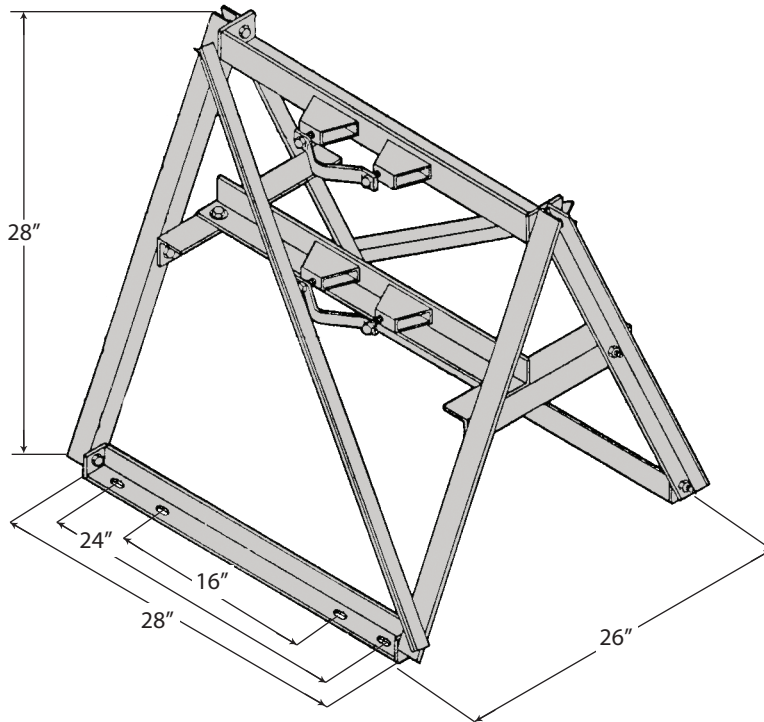


SHRM

ROHN's Saw Horse Roof Mount (SHRM) is capable of supporting most PCS, Cellular, and Microwave antennas. The SHRM allows for placement of antennas on flat roofs or roof peaks with up to a 12"/12" pitch. The SHRM is also able to be installed on flat roofs. Installation is easy because of the quick adaptability, plus there's no need for concrete blocks. The SHRM is hot-dip galvanized after fabrication for corrosion protection, and can easily ship UPS.



Optional Masts - Ordered Separately

P2530	2.88" O.D. x 0.203" wall x 30" Long
P330	3.50" O.D. x 0.216" wall x 30" Long
P3530	4.00" O.D. x 0.226" wall x 30" Long
P430	4.50" O.D. x 0.237" wall x 30" Long

Features:

1. SHRM mount can be used on a flat roof or on a roof peak, up to 45 degrees maximum pitch.
2. SHRM mount can be used with 2.88" to 5.00" O.D. masts (ordered separately).
3. Bottom of mount pivots to match roof pitch.
4. Mount base angles are pre-drilled to accept 1/2" diameter connectors.