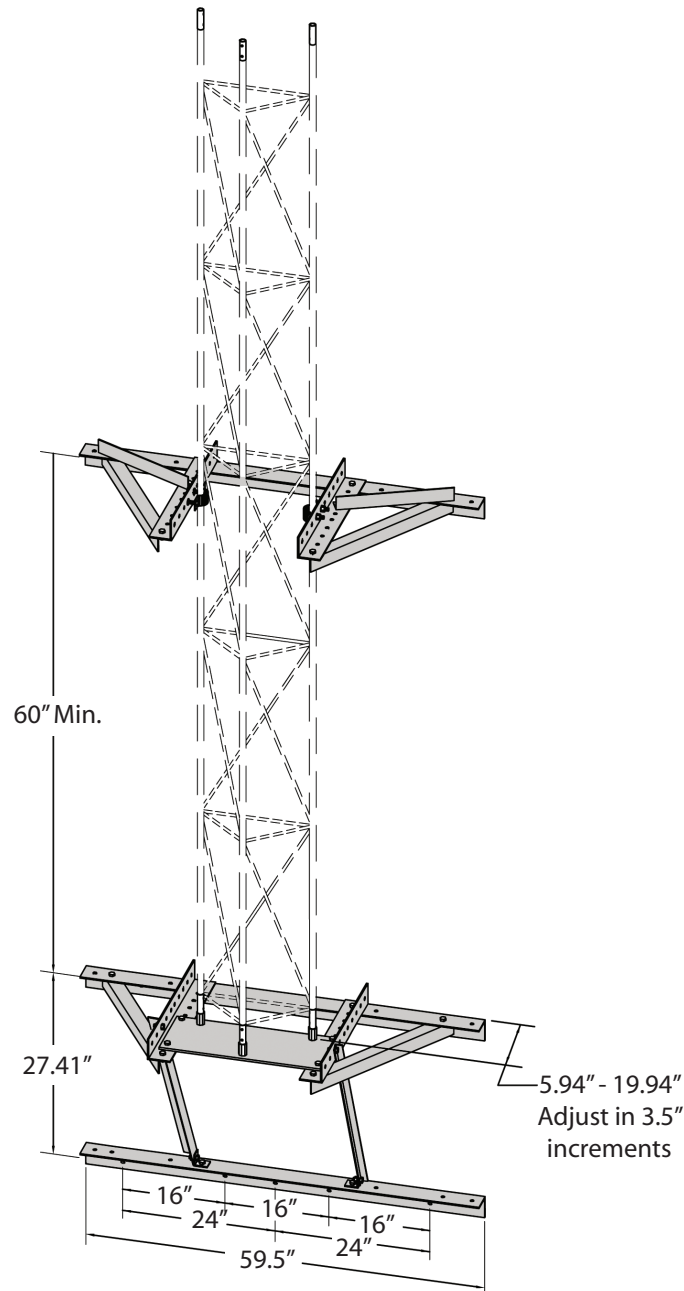


25GWM

The ROHN Products 25GWM allows you to wall mount the base of a bracketed 25G tower. This wall mount gives you the ability to install more load than is typically available on a standard wall mount. The wall mount also helps to keep the ground area around the tower location usable.



Notes:

1. It is the purchaser's responsibility to verify that their installation and building structure are able to withstand all loads imposed by the antenna system and mount.
2. All antenna installations should be grounded, by installer, to meet all applicable codes.
3. All parts are hot-dip galvanized after fabrication.
4. All sealant to be supplied by others, if required.
5. Local zoning, building codes and insurance companies may require an architect or structural engineer's approval prior to installation.
6. Inspect the mount and antenna installation every 6 months and after severe weather.
7. Holes provided in mounting angles are 11/16" diameter for use with HDG 5/8" threaded rod, provided by others.