



Wall Plate HDMI & IR Cat5e Extenders

Part#954

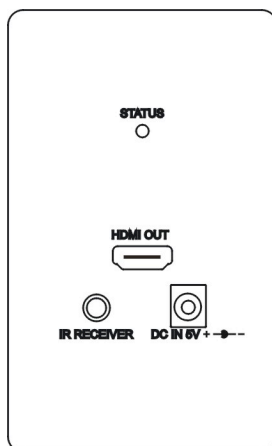
SCP's 954 Wall Plate HDMI & IR Cat5e extender is designed to use two low cost CAT5e cable to extend HDTV sources from DVD players, Blu-ray Disc player PS3. With extra IR repeater function for easy and friendly control HDMI sources from the remote site.

Features:

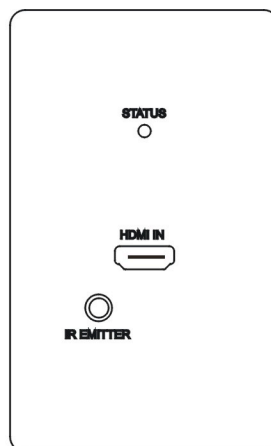
- Extends HDMI and IR signal over two CAT5e/ Cat6 cables.
- Transmission range up to 100 meters.
- Support high resolution up to 1080p.
- Built in auto EQ function, no need to do any adjustment for different range.
- Fully HDCP compliant.
- HDMI 1.3b compatible, HDCP 1.1, support DDC, EDID, CEC, Hot Plug Detect
- Built in IR repeater function, could be control the source devices from remote side.
- Receiver unit power could be sending from PCB inside 5V terminal or external 5V DC Jack.
- Package includes: transmitter and receiver unit, one external power adapter, IR emitter cable and IR receiver cable. (1.8 meters (6 ft))

Panel view & Function:

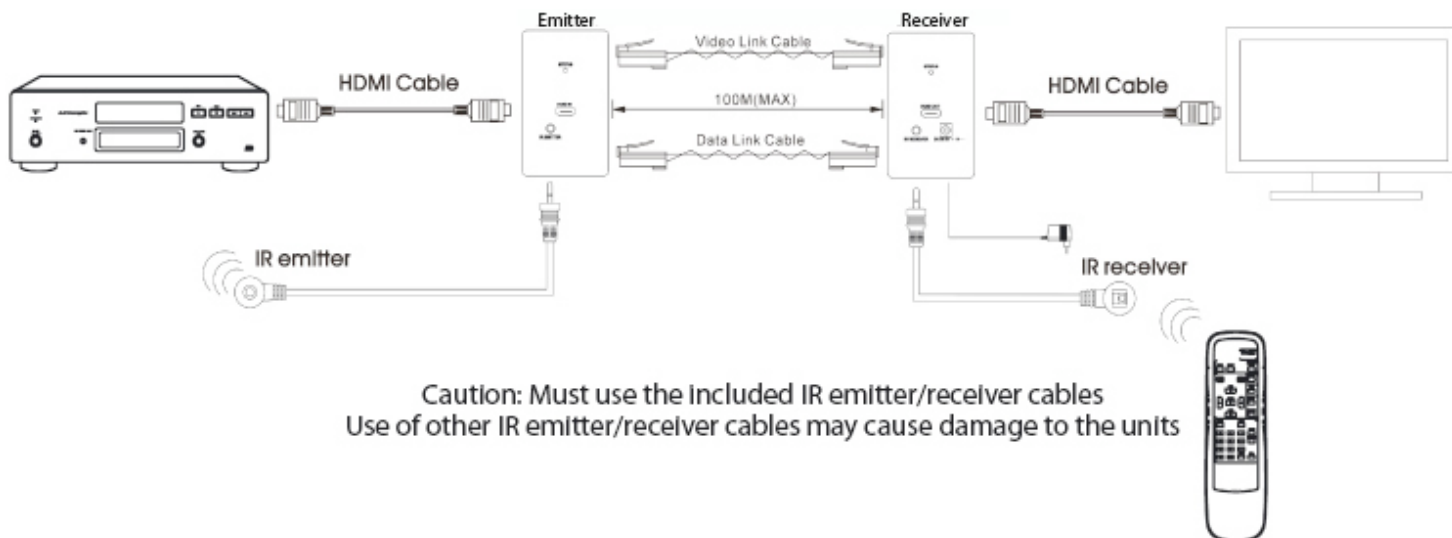
Receiver



Emitter



Installation view:



Resolution	Transmission Range (Max.)
480i / 576i / 480p / 576p	100M
720p / 1080i	70M
1080p	30M

Cable:

Video Link cable using hi quality CAT5e UTP or CAT6 UTP cable, CAT6 cable enhances transmission range and signal stability.

Data Link cable using CAT5e UTP/STP cable, It is not hi speed signal transmission, so using regular CAT5e UTP cable will be ok.

RJ45 pin Define:

Video Link (TIA/EIA-568-B)

1. Orange-white	TMDS Data2 +
2. Orange	TMDS Data2 -
3. Green-white	TMDS Clock +
4. Blue	TMDS Data1 +
5. Blue-white	TMDS Data1 -
6. Green	TMDS Clock -
7. Brown-white	TMDS Data0 +
8. Brown	TMDS Data0 -

Data Link (TIA/EIA-568-B)

1. Orange-white	CEC
2. Orange	HPD
3. Green-white	SCL
4. Blue	HW01R POWER
5. Blue-white	IR
6. Green	GND
7. Brown-white	SDA
8. Brown	HW01T POWER

LED Indication:

Emitter Status: Blue = normal.
Red = abnormal (HDMI equipment power off or cable not have properly connection)
Flash = IR emitting.
Off = No Power. (HDMI Source power off and no connect with HW01R)

Receiver Status: Blue = Normal.
Red = abnormal (HDMI equipment power off or cable not have properly connection)
Off = No power or power source is too low

Caution:

1. The cabling must away from any equipment with electromagnetic wave, i.e.: microwave, radio equipment, high voltage.
2. SCP 954 Data Rate support up to 1.65Gbps, but not support 1080p Deep Color signal.
3. IR receiving angle is $\pm 45^\circ$ with maximum distance 5 meters.
IR emitting angle is $\pm 30^\circ$ with maximum distance 3 meters.

Specification:

ITEM NO.	Emitter	Receiver
Resolution	480i / 576i / 480p / 576p / 720p / 1080i / 1080p	
Data Rate	Max 1.65Gbps	
Equalization	40dB @ 825MHz (1.65Gbps)	
Link Cable Distance	CAT5E 70M@1080i , CAT5E 30M @1080p	
HDMI Connector	HDMI A Type x 1 (Input)	HDMI A Type x 1 (Output)
3.5 mm Connector	IR emitter	IR receiver
Link Connector	RJ-45 Shielded x 2	
IR Carrier Frequency	38Khz	
Power Consumption	X	5V 500mA (Max)
Power Supply	DC5V 1Amp	
Temperature	Operation: 0 to 55°C, Storage: -20 TO 85°C, Humidity: up to 95%	
DIMENSIONS W x H x D mm	70W x 32H x 115D.	
Weight g	110 g x 2	

RoHS CE FC 