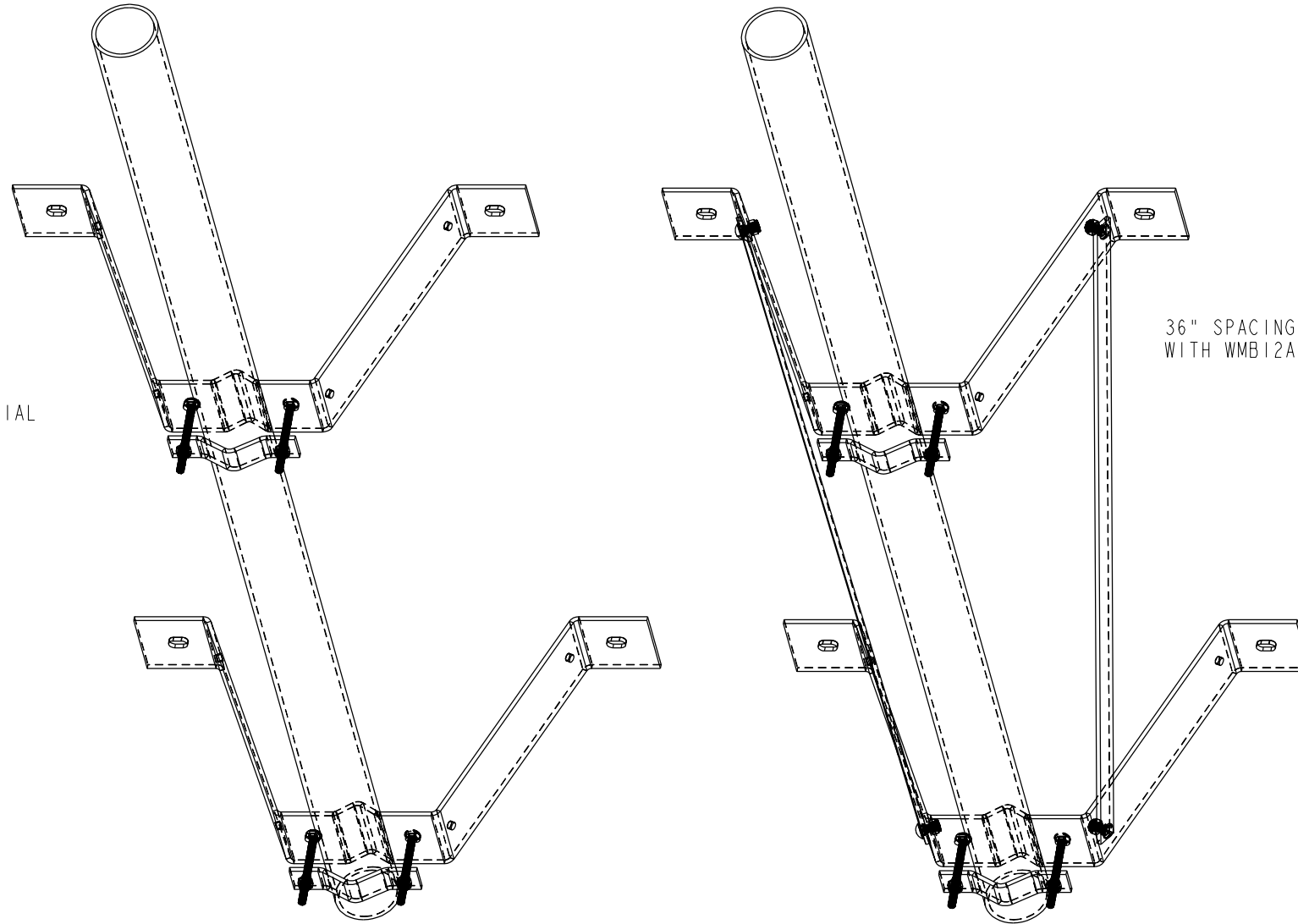
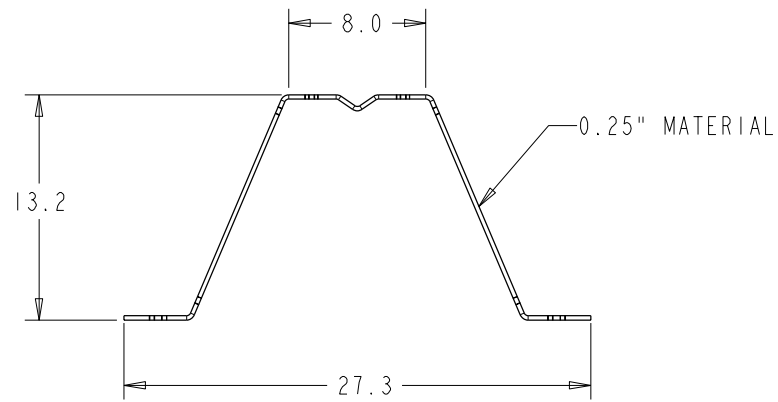
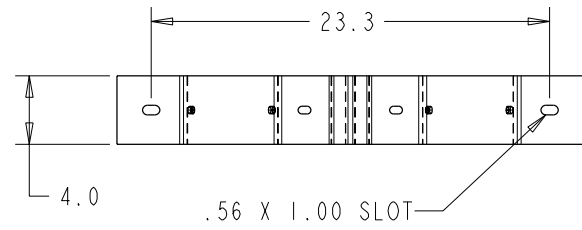


REVISION HISTORY				
REV	DESCRIPTION	REV. BY	DATE	APPROVED
00	REFERENCE DRAWING D980032R1	RMH	12/15/00	KZ 01/19/01
01	ADDED DOCUMENTS TO WM212 AND WM312 BOM	RMH	06/21/01	

WM212 OR WM312

WM212 OR WM312 WITH WMB12A OPTION



NOTES:

- 1) IT IS THE PURCHASER'S RESPONSIBILITY TO VERIFY THAT HIS INSTALLATION AND BUILDING SYSTEM WILL WITHSTAND ALL LOADS IMPOSED BY HIS ANTENNA SYSTEM.
- 2) ANTENNA INSTALLATIONS SHOULD BE GROUNDED BY THE INSTALLER TO MEET ALL APPLICABLE CODES.
- 3) INSPECT THE MOUNT AND ANTENNA EVERY 6 MONTHS.
- 4) OPTIONAL ROHN HARDWARE MOUNTING KITS MAY BE PURCHASED SEPARATELY.
- 5) ALL PARTS ARE HOT DIP GALVANIZED AFTER FABRICATION.
- 6) LOCAL ZONING AND/OR BUILDING CODES AND INSURANCE COMPANIES MAY REQUIRE AN ARCHITECT OR STRUCTURAL ENGINEER'S APPROVAL PRIOR TO INSTALLATION.

BILL OF MATERIAL FOR WM212

ITEM	QTY	PART NO.	DESCRIPTION	DWG NO	ITEM WT	WEIGHT
1	1	FORMCF000095	ASSEMBLY INSTRUCTIONS FOR WM212 & WM312	CF000095	0.000	0.000
2	1	FH100HDW	HARDWARE PACK FOR WM212 & WM312	AF000217	27.798	27.798
3	1	AM1172G	PIPE 72.00X2.00XSCH40 2PE HDG	AF000306	17.822	17.822
4	1	FORM932754C-A	SAFETY SHEET (2-SIDED DOCUMENT)	932754C-A	0.100	0.100
TOTAL WEIGHT.....						45.720

BILL OF MATERIAL FOR WM312

ITEM	QTY	PART NO.	DESCRIPTION	DWG NO	ITEM WT	WEIGHT
1	1	FORMCF000095	ASSEMBLY INSTRUCTIONS FOR WM212 & WM312	CF000095	0.000	0.000
2	1	FH100HDW	HARDWARE PACK FOR WM212 & WM312	AF000217	27.798	27.798
3	1	FH105	PIPE 72.00X3.00XSCH40 HDG	AF000215	46.530	46.530
4	1	FORM932754C-A	SAFETY SHEET (2-SIDED DOCUMENT)	932754C-A	0.100	0.100
TOTAL WEIGHT.....						74.429

BILL OF MATERIAL FOR WMB12A OPTION

ITEM	QTY	PART NO.	DESCRIPTION	DWG NO	ITEM WT	WEIGHT
1	1	720006	BAG POLY 9.00X13.00X4.00 MIL		0.100	0.100
2	4	2102736	BOLT 3/8 X 1 CARRIAGE G5 HDG (-16)	AF000092	0.110	0.440
3	1	740224	LABEL 1-1/2"X3" WIDE WHITE (K1MDURA)		0.000	0.000
4	4	230005	NUT 3/8 HVY HEX HDG	AF000092	0.040	0.160
5	4	230007	NUT 3/8 PAL HDG	AF000092	0.010	0.040
6	2	WMB12	STRAP 39.00X.25X1.25 HDG	AF000216	3.510	7.021
TOTAL WEIGHT.....						7.761

DESCRIPTION ASSEMBLY INSTRUCTIONS FOR WM212 & WM312		DATE 12/15/00		DRAWN BY RMH	
THIS DRAWING IS THE PROPERTY OF ROHN. IT IS NOT TO BE COPIED, TRACED, OR REPRODUCED IN ANY FORM WITHOUT OUR WRITTEN CONSENT.					
ALL DIMENSIONS ARE GIVEN IN INCHES. TOLERANCES ARE AS GIVEN BELOW UNLESS NOTED OTHERWISE. LENGTH: 0.00 - 29.93, 0.000 - 29.005 ANGLES: 12°					
SCALE	1:1	DATE	12/20/00	APPROVED	KZ 01/19/01
BY	ENF4588	TITLE	FORMCF000095	REV	01
DATE	CF000095	REV	01	PAGE 1 OF 1	

