

3S50 Solar Based Low Intensity Obstruction Light

The solar panel comes with YSL50 provides power supply to the light, which makes YSL50 a self-contained and care-free light unit. Also, with the solar function, the light is easy to deploy to almost any condition and any emergency case. Robust body built and surface coating provides good protection against harsh environments.

3S50 Series

Intensity	50cd, flashing
Compliant with	ICAO Annex 14, Volume 1, 4th Edition, July 2004
	FAA Advisory Circular AC150/5345-46D

YSL50 is equipped with an high-efficiency rechargeable battery is also easy to find almost anywhere. YSL50 is working under flashing mode, while ICAO requires that the low intensity light to be steady. But, anyway, YSL50 could be a alternative option for some special needs

Features

- Ultra-light LEDs, energy saving
- Self-contained without outside power supply
- Maximum visibility distance 6 KM
- Once fully charged, it can work for up to 200 hours
- Auto-off after being packed for 18 hours

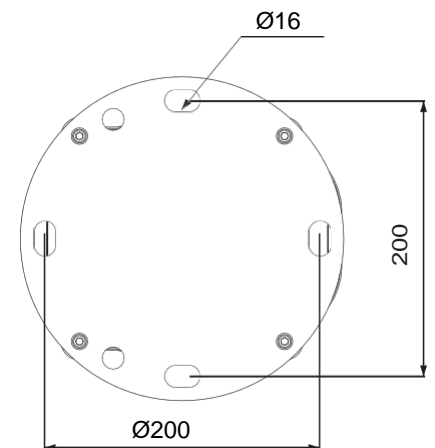
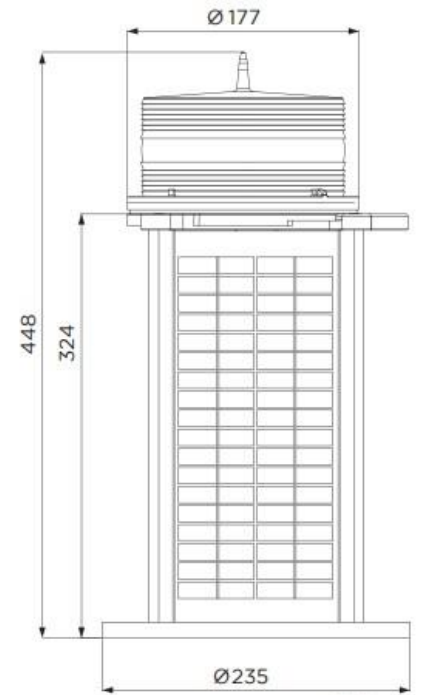
Application

- High-rise building marking
- Telecom tower marking
- Road obstruction marking
- Navigation aid
- Port, dock entrance & walkway
- Buoy marking
- Offshore gas & oil platform



Specifications

LIGHT OUT-PUT	
Intensity	Steady>50 Candela Flashing>200cd
Nominal Night Range	>6 KM
LED Color Available	Red
Vertical Divergence	10 Degree
Horizontal Out-put	360 Degree
Illumination	Ultra-bright LEDs
LED Lifespan	100,000 Hours
OPERATION	
Autonomy	200 Hours
On & Off Level	70/100 Lux
Flash Pattern	Steady or Flashing (40 FPM as default)
POWER SUPPLY	
Power Source	Solar module, mono-crystalline silicon
Solar Efficiency	13.5%
Max. Power Out-put	20 Watts
Battery Type	High-efficiency NiMH rechargeable battery
Battery Capacity	12V / 13AH
Battery Replacement	Yes, replaceable
MACHANICAL STRUCTURE	
Lens	Polycarbonate,UV Stabilized
Body	Die-casting Aluminum
Water-proof	IP67
Weight	13.5 KG
Temperature Range	-40C°~ +55C°
Dimension	448mm H, 235mm Diameter
Warranty	5 years for light 2 years for NiMH battery



Note: when the light is in storage, please put it outside to charge the battery every 3 months

