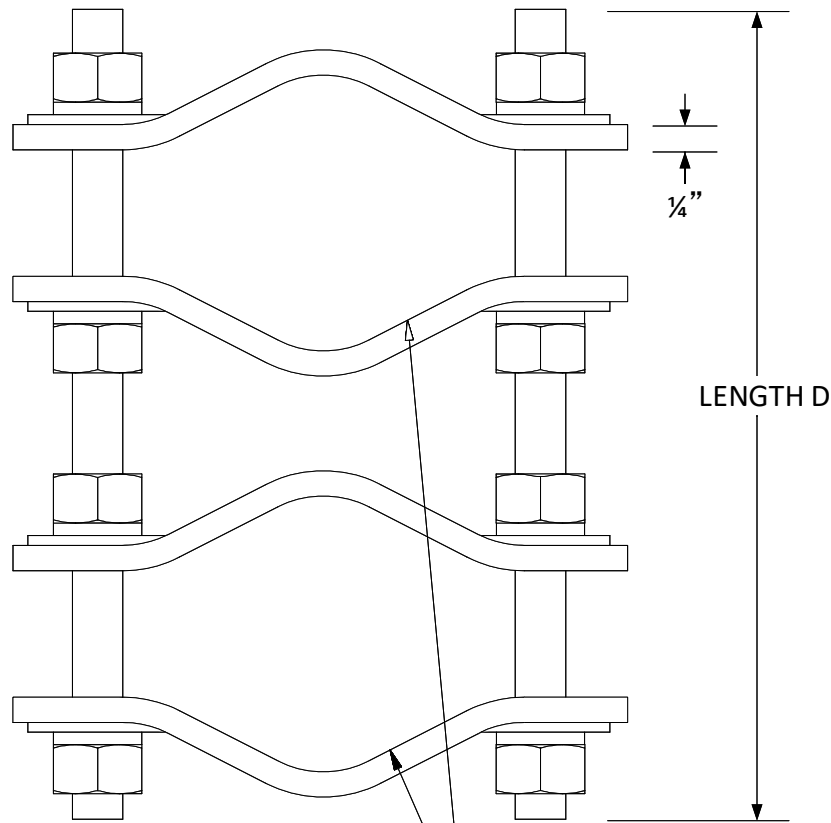


TITLE

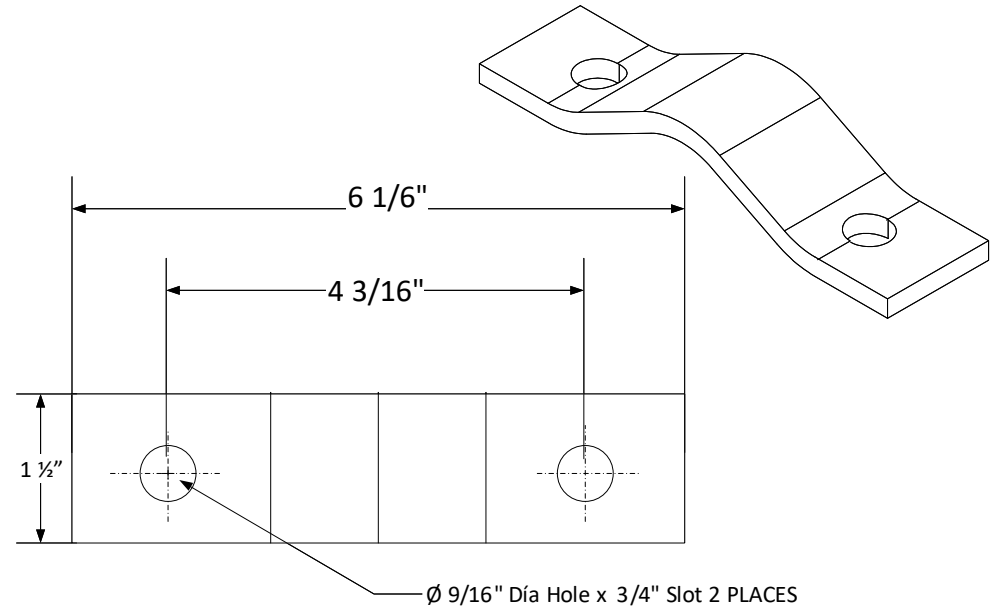
CLAMP HALF 1/4" THICK, 6-1/16" LONG

Parts List

QTY.	SIZE	DESCRIPTION
4	1/4" THICK, 6-1/16" LONG	CLAMP HALF
2	1/2"	THREADED ROD
8	1/2"	HDG HEAVY 2H HEX NUT
8	1/2"	HDG LOCKWASHER
8	1/2"	HDG USS FLATWASHER



FITS 1-1/2" TO 3-1/2" PIPE O.D.



DESCRIPTION PART# 3S-20-10 Pipe To Pipe CLAMP Kit 1-1/2" TO 3-1/2" Pipe Clamp 1/4" THICK, 6-1/16" LONG	Visit us on the web at www.3starinc.com Contact Email: support@3starinc.com Phone: (804)550-7202	
	 9487 King Air Ct. Unit C Ashland, VA 23005 USA	
	DWG NO	RFV
SCALE 1/4 : 1	SHEET	1 OF 1